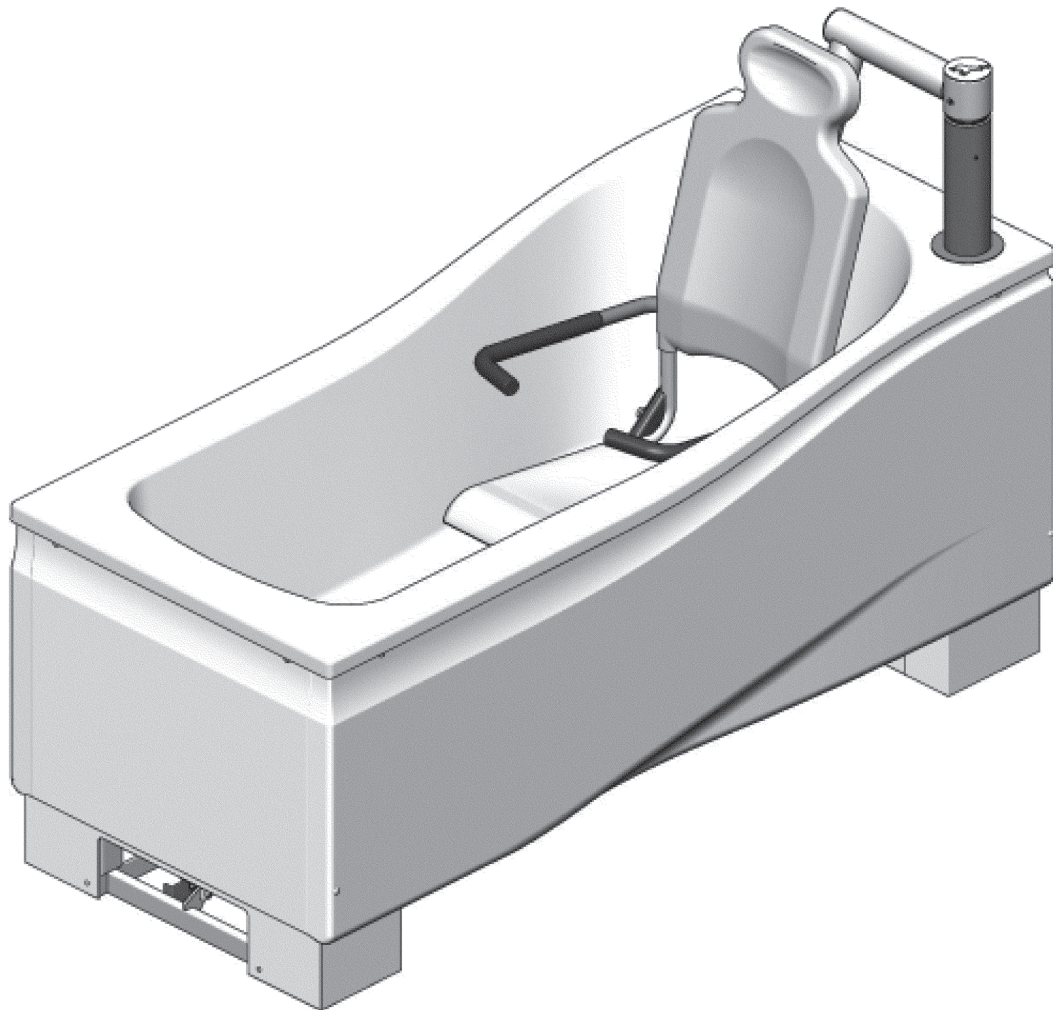




Solutions for Transfer and Care



Compact Hi-Lo power traverse bath
Compact Hi-Lo manual traverse bath

Pre-Installation Instructions



IMPORTANT: READ THIS MANUAL BEFORE INSTALLATION

INSTALLATION

Technical information

Electrics.

A.C. Input 230V~, 50Hz, 1.25 kW Maximum.

DC Output, 24V, 8 Amps.

Duty cycle 10%. maximum: 2min on & 18min off.

Water pressures.

- Minimum: 1 Bar (Hot & Cold water supplies)
- Maximum: 5 Bar (Hot & Cold water supplies)
- Pressures should be equal.

Misc.

- Water capacity Litres at 300mm depth:
- Product weight (Dry):
- Maximum weight (product, User & Water):
- Maximum user weight (Seat):
- 'A' weighted sound emission:

	<u>1600mm</u>	<u>1700mm</u>
	210L	225L
	118kg	133kg
	478kg	508kg
	150kg	150kg
	<70dB(A)	<70dB(A)

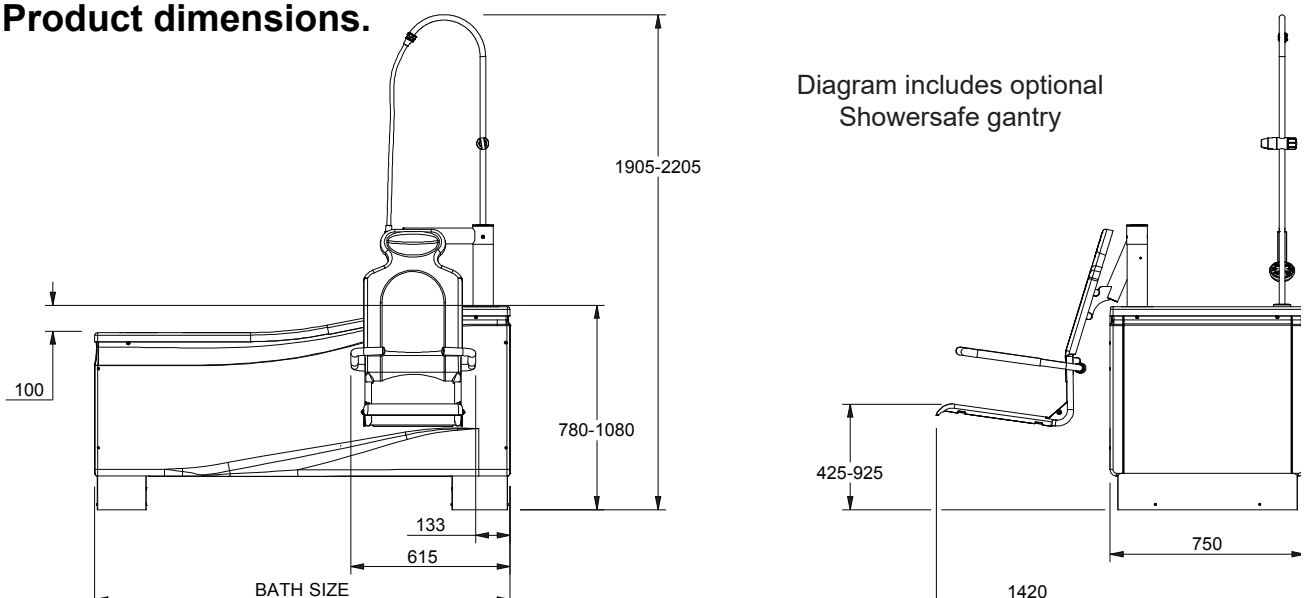
Transport and storage.

- Ambient temperature range: 5°C to 70°C
- Relative humidity range: 10 - 80% not condensed at 20°C
- Atmospheric pressure range: 50kPa to 106kPa

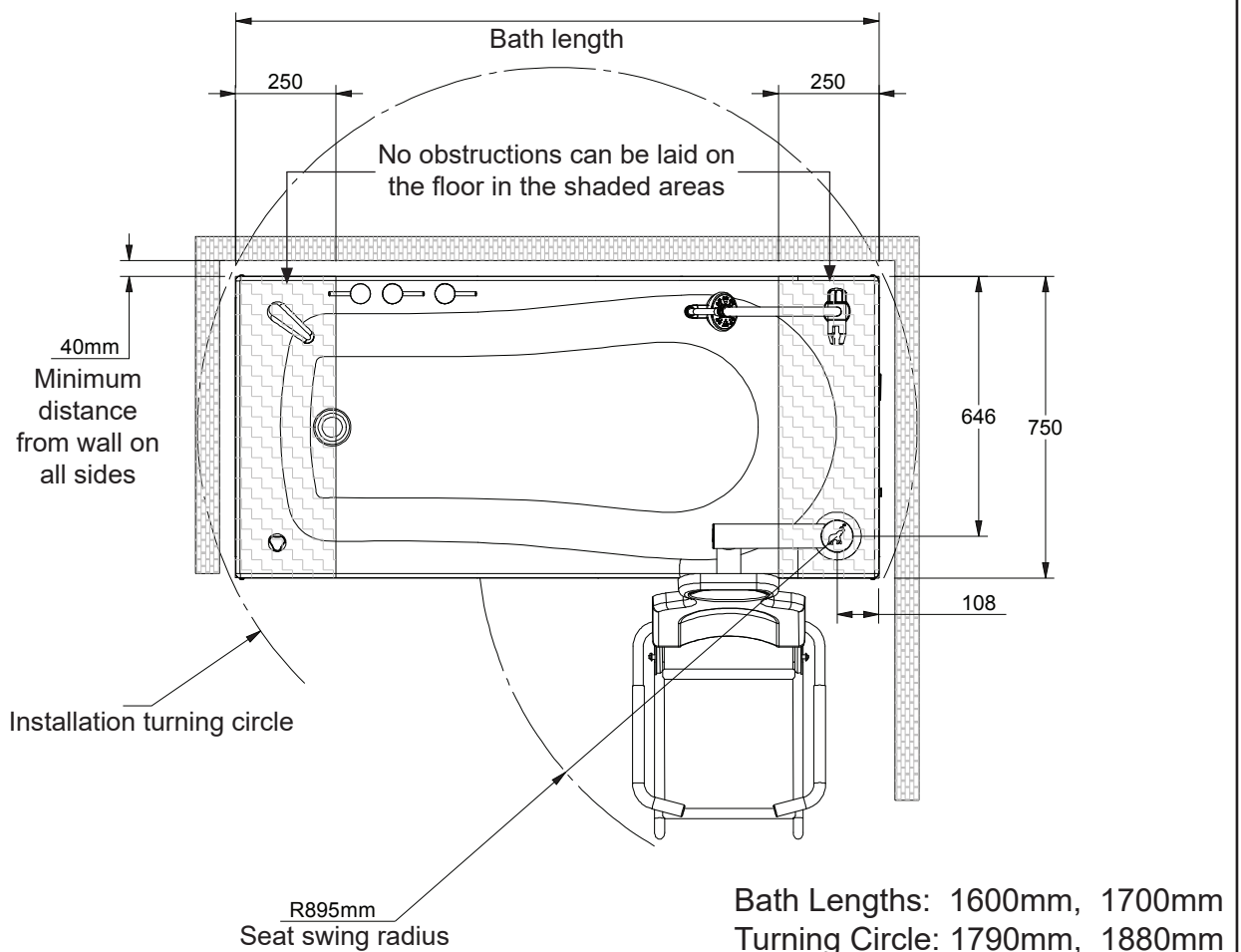
Recycling.

- Battery: Recyclable. Not for disposal. Environmental danger
- Packaging: Wood and corrugated cardboard, recyclable
- The product: Electrical components, batteries, steel and plastic parts to be separated and recycled to local requirements.

Product dimensions.

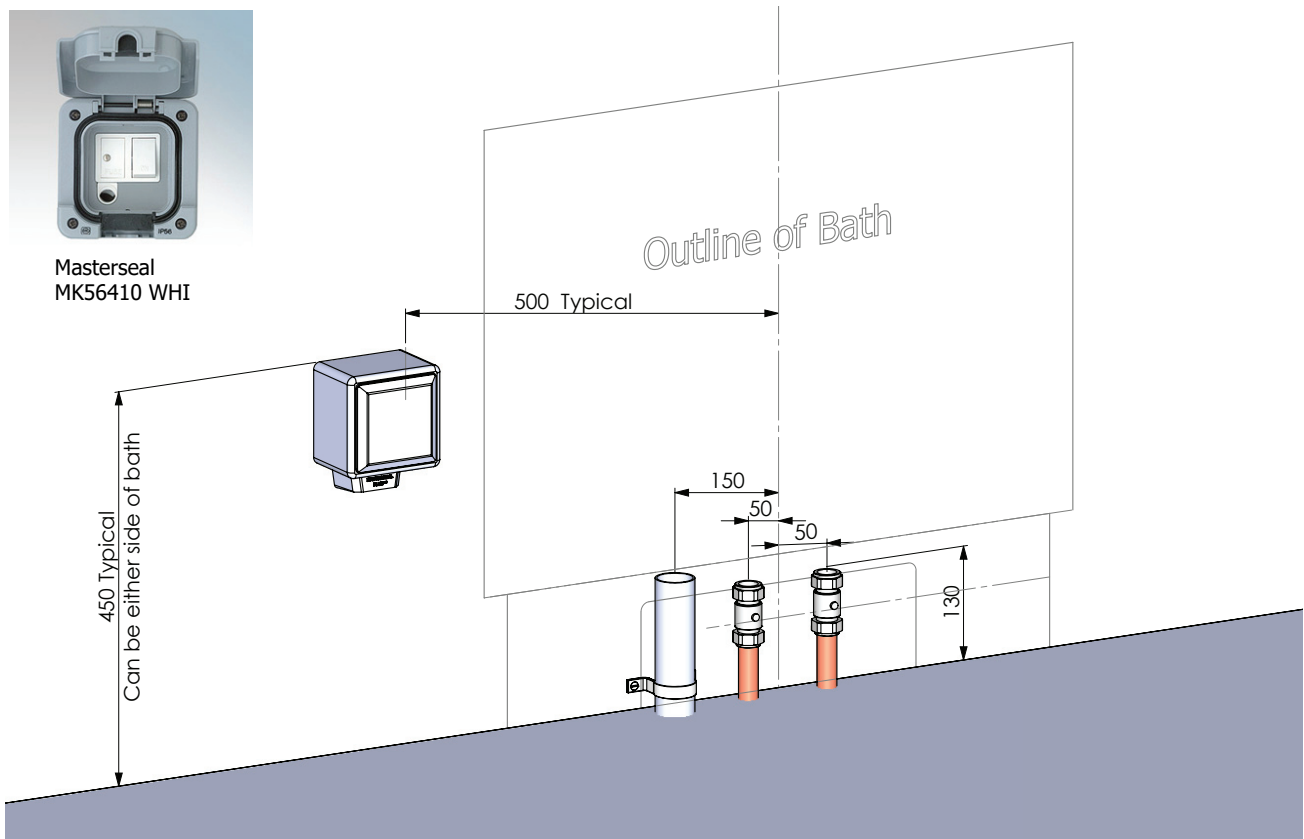


- All wall decoration including floor coverings and tiling, **MUST** be complete before the bath is installed, where applicable, skirting boards may be left in place.
 - Adjacent walls **MUST** be plumb, flat and clear of obstructions e.g. No electric showers or towel rails in the area where the height adjustable bath and chair operates.
 - The bath can be fitted as a corner, alcove or peninsular unit.
 - A minimum clearance of 40mm is required against any adjacent walls and fixed appliances e.g. toilets, radiators, sinks etc.
- !** There must be enough space to clear the users legs when the chair swings out of the bath and sufficient space to transfer on and off the seat.
- The floor **MUST** be flat, level and clear of obstructions including pipe work and wiring in the shaded areas shown at both ends of the bath, this includes under floor heating etc...
 - The floor must be strong enough (especially in the shaded areas) to carry the weight of the bath when full and occupied.

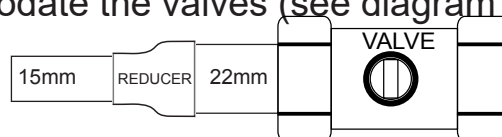




Masterseal
MK56410 WHI



- The bath requires a 230Volt, 1.25kW, wall-mounted waterproof switched flex outlet, supplied from a protected fused spur.(Masterseal MK56410 WHI or similar recommended)
- The electrical outlet can be located at either end of the bath, but **MUST** be 100mm from the edge of the bath.
- The waste and water supply pipes **MUST** be mounted at the tap end of the bath and positioned to the dimensions indicated in the above diagram.
- The pipes can be wall mounted, fed through the wall or through the floor, but both supply pipes **MUST** have a 22mm ball type isolation valves fitted and orientated for easy access.
- Note: If the site piping is 15mm then this should be expanded to 22mm at the valve end to accommodate the valves (see diagram below).



- Where baths are fitted with thermostatic mixing valves they must be calibrated before use to avoid the risk of scalding.

