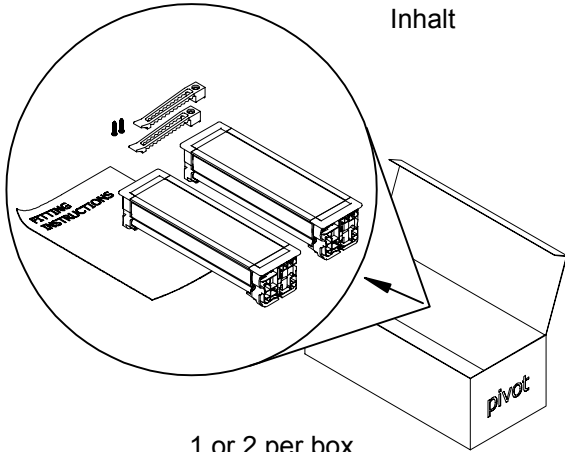
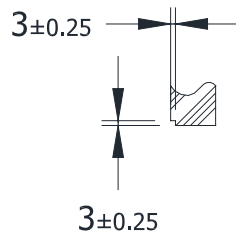


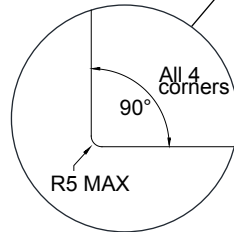
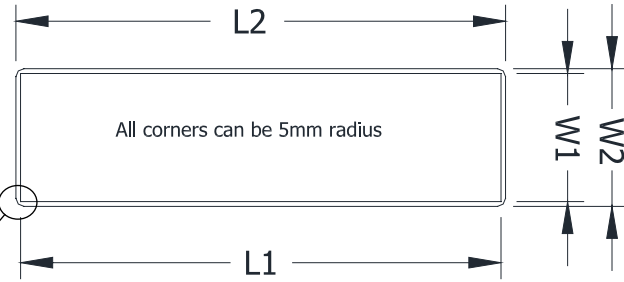
Contents
 Sommaire
 Inhalt



1 or 2 per box
 (dependant on quantity)



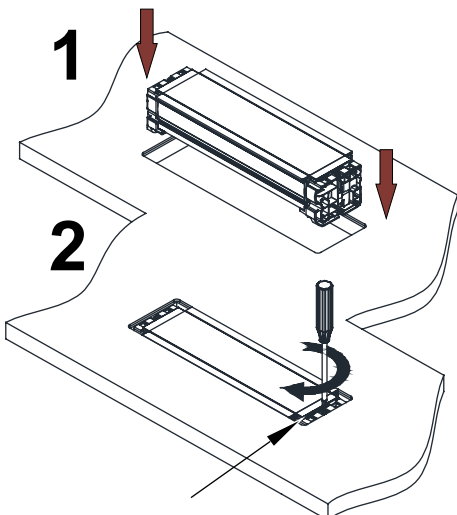
Cutout dimensions



Size	pivot 10	pivot 25	pivot 47
L1	100(+2/-0)	180(+2/-0)	299(+2/-0)
W1	80(+2/-0)	80(+2/-0)	80(+2/-0)
L2	106.5(±0.25)	185.7(±0.25)	305.0(±0.25)
W2	86(±0.25)	86(±0.25)	86(±0.25)

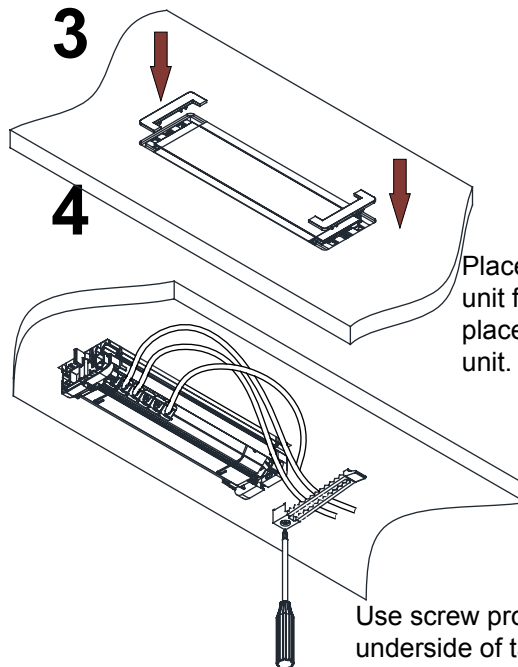
IMPORTANT

In order to ensure proper operation of unit, cutout **MUST** have smooth straight sides



DO NOT OVER TIGHTEN.

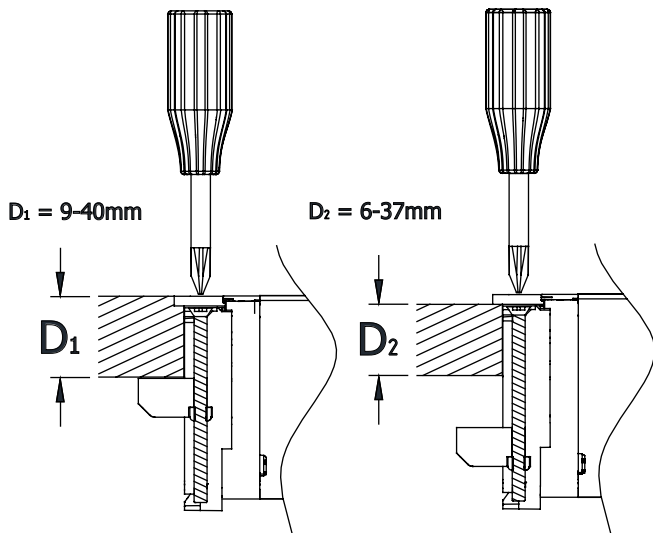
Tighten screw only to the point where clamps touch table



Place cable grip 50mm from end of unit furthest from cable exit. Do not place cable grip in front of, or behind unit.

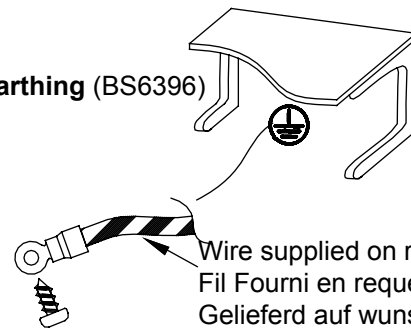
Use screw provided to fix cable grip to underside of table.

If table is less than 15mm thick please use an alternative



Max thickness of desk with recess: 40mm
 Min thickness of desk with recess: 9mm
 Max thickness of desk without recess: 37mm
 Min thickness of desk without recess: 6mm

Earthing (BS6396)



Wire supplied on request
 Fil Fourni en requete
 Geliefert auf Wunsch

Queries / Questions / Fragen:

+44 (0) 1924 367255

