

cablespine

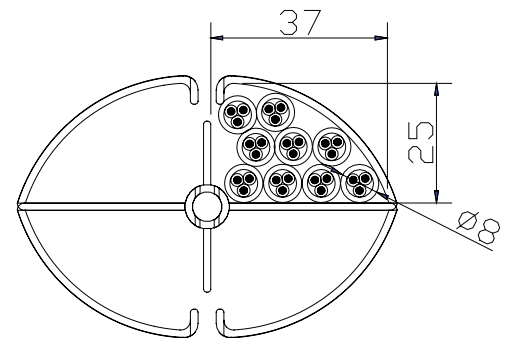
Cable Spine is constructed on a flexible central core which allows movement in any direction. This has the benefit of relieving strain on cabling installed in the spine which is important for delicate high specification data cable.

Twin compartments are mounted on either side of the core providing easily accessible 4-way segregation for power, data and telecom cables. Ideally suited to touch down and other desk arrangements where there is no provision for vertical cable management.

Cable Spine is an ideal partner for Pod, and Prism modules. Cables are easily installed and removed with a wipe-in action. A labyrinth type cable clamp is provided in the top section of the spine.

Standard spine length 790mm, longer lengths are available for height adjustable desks to order.

Available in silver or anthracite



Cable spine can house approximately 9 x 8mm diameter cables within each section

Cable spine can be fitted vertically and horizontally offering a better cable management solution. The Horizontal cablespine can be fastened to the underside of the desk via tape or screws. Horizontal cablespine comes in 4 x 500mm strips and can be cut to length

Please specify vertical or horizontal when ordering when ordering.

Codes:

- Cable spine Vertical 800mm silver: Trunk 1038/s
- Cable spine Vertical 800mm anthracite: Trunk 1038/a
- Cable spine Vertical 1100mm silver: Trunk 1064/s
- Cable spine Horizontal 2000mm silver: Trunk 1071/s

