

CI/SfB		(29)	(K2)
CAW	P10		
Uniclass	JP10:L68114		
January 2014			

# B150

## Intumescent Pipe Collars

### KEY BENEFITS SUMMARY

- Certified to the latest British and European standards BS EN 1366-3 and EN 13501: Pt 2
- Provides an effective barrier to the spread of smoke and fire for up to 2 hours
- Lightweight design and surface-mounted installation requires no special tools or equipment
- Durable construction resistant to moisture
- Design allows for movement of the pipe during thermal expansion / contraction

### PRODUCT INFORMATION

#### Description

Nullifire B150 Pipe Collars consist of galvanised steel shell lined with intumescent material.

#### Usage / Purpose

Nullifire B150 Pipe Collars are used to stop the spread of smoke and fire along pipework that passes through compartment walls and floors. During a fire the intumescent expands within the steel casing and seals the pipe. B150 Pipe Collars are suitable for use in UPVC, PVC, ABS, PP, PE and Composite pipe penetrations through masonry floors and walls. Typical areas of use include health and leisure facilities, schools, universities, commercial, retail and industrial buildings.

#### Available Sizes

Collars are available in 4 sizes to suit the following pipe outside diameters:

- 55 mm
- 82 mm
- 110 mm
- 160 mm

#### Packaging

Supplied individually

#### Availability

Direct from Nullifire (see back of leaflet for address and telephone details).

#### USAGE GUIDELINES

##### Necessary Tools

Fixing anchors or heavy duty screws, suitable masonry drill, 6.5 mm masonry drill bit, Nullifire M701 Acrylic Sealant to provide smoke seal.

##### Preparation

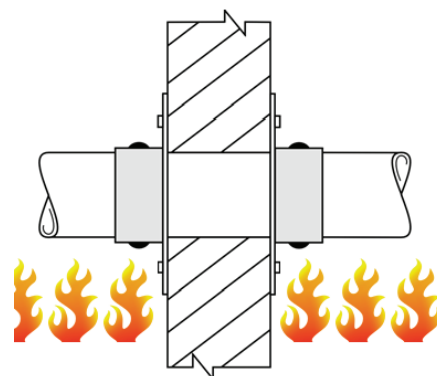
- Read any instructions supplied with collar prior to installation.
- Ensure the collar is the correct size for the pipe intended.
- The face of the wall/floor adjacent to the pipe must be smooth and free from debris to ensure a close fit.

##### Installation

- Position Nullifire B150 Pipe Collar around the pipe, and against the wall/floor.
- Slide the fixing clip in to position.
- Bend clip back to fasten collar around the pipe.
- Fix collar into place using suitable fixings as above.

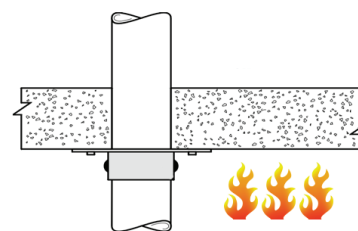
#### Wall Penetrations:

Where the direction of the fire risk is from both sides or is not known, a Pipe Collar should be fixed at both sides of the wall construction:



#### Floor Penetrations:

Where the pipe penetrates through a floor construction the Pipe Collar should be fixed to the underside only:



#### Maintenance

No maintenance required after installation. Routine inspection recommended to ensure no damage.

#### Storage

Store between +0°C and +40°C in dry conditions. Keep away from sources of ignition.

#### Shelf Life

Unlimited when stored as recommended.

# B150

Nullifire - a brand of tremco illbruck Ltd  
Torrington Avenue  
Coventry, West Midlands CV4 9TJ  
Tel: 02476 855000  
Fax: 02476 469547  
Email: protect@nullifire.com  
Website: www.nullifire.co.uk

## PERFORMANCE

Substrate	Pipe Material	Pipe Diameter	Integrity (minutes)	Insulation (minutes)
Masonry Wall	PVC/ UPVC	Up to 160 mm	120	120
	PP	Up to 160 mm	120	120
	PE	Up to 160 mm	120	120
	Composite SBS/ASA/PVC	Up to 52 mm	120	120
		52 - 160 mm	90	90
ABS	Up to 55 mm	90	90	
Masonry Floor	PVC/ UPVC	Up to 160 mm	120	120
	PP	Up to 58 mm	120	120
		58 - 160 mm	60	30
	PE	Up to 160 mm	120	120
	Composite SBS/ASA/PVC	Up to 52 mm	120	120
		52 - 160 mm	60	60
ABS	Up to 160 mm	120	120	

### Health & Safety Precautions

Product Safety Data Sheet must be read and understood before use.

### Technical Service

Nullifire has a team of experienced Technical Sales Representatives who provide assistance in the selection and specification of products. For more detailed information, service and advice, please call Customer Services on 02476 855000.

### Guarantee / Warranty

This information is offered in good faith but without guarantee or liability. In cases of doubt, users should consult with relevant authority.

Information given herein is supplied for your guidance only and is based upon the results of controlled tests and experience obtained in the application of the product referred to by Nullifire.

As the supplier only, Nullifire has no control over the method or conditions of application of the product and consequently no warranties expressed or implied are intended to be given as to the coverage or performance of the products mentioned or referred to herein and no liability will be excepted for any loss, damage or physical injury resulting from the use or application of the information, data or products mentioned or referred to herein.