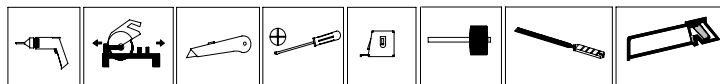


# Fitting Instructions, Norsound 650

## Tools Required



## Installation Detail

It is not necessary to remove door from hinges.

### 1: Measurement

Remove plate and gasket from packaging, measure the width of the door opening from stop to stop and jamb to jamb and mark the ends of threshold for trimming.

### 2: Cutting to size

Trim ends of threshold to fit around door stops and jambs. Position threshold so that the flexible seal contacts the face of the door along the entire width of the door when closed, mark position.

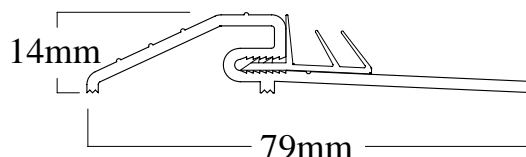
### 3: Screw fix

Using a power drill with a 3mm drill bit, drill holes in threshold using channel provided, screw holes should be approx 75mm from end and 200mm apart. Making sure to countersink each individual fixing hole to ensure screws are flush when fitted. Screw fix using screws and plugs supplied.

### 4: Insert Gasket

Once the aluminium plate is fitted measure and cut the gasket to the desired length. Run a small bead of clear silicone along the face of the groove.

Place the gasket ready to insert into holder then use a blunt object such as timber to gently push sections (of roughly 200mm per time) into the u channel, paying particular attention not to damage the blades of the gasket during installation.



## Description of contents

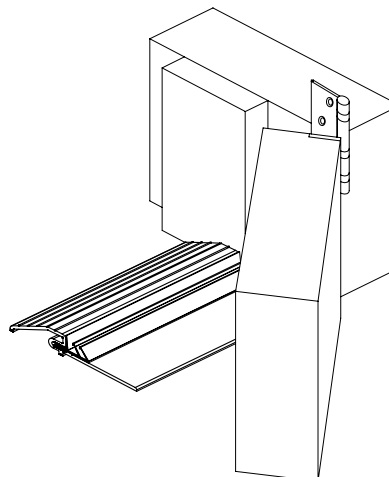
- 1: Aluminium threshold
- 2: Length of flexible seal
- 3: Screws and plugs

## Other Norsound seal include:

- Perimeter seals
  - Door bottom seals
  - Meeting stile seals
  - Additional threshold plates
- All designed for your Acoustic needs

## Important

Ensure that the installation of this product does not impede the opening or closing of door leaf or leaves.



**Norsound. Unit 5 Regents Drive, Prudhoe, Northumberland, NE42 6PX.  
Tel: 01661 831 311. Fax: 01661 830 099. Web: [www.norsound.co.uk](http://www.norsound.co.uk)**