

NOR 510 Datasheet

The NOR 510 astragal seal has been designed for use in meeting stiles on double doorsets. The seal utilises the Norsound unique 'dual air pocket technology' which is proven to give greater noise attenuation.

Key Benefits

- Dual air pocket technology to increase acoustic performance.
- Ultra soft smooth blades to minimise open / closing forces (Doc 'M').
- Excellent recovery values to increase service life.
- Can be surface mounted or semi mortised.
- Not effected by ironmongery.
- Energy efficient.

Fitment Location

Meeting stile of double leaf doors.

Min / Max Gap Size

3mm - 4mm

Seal Material

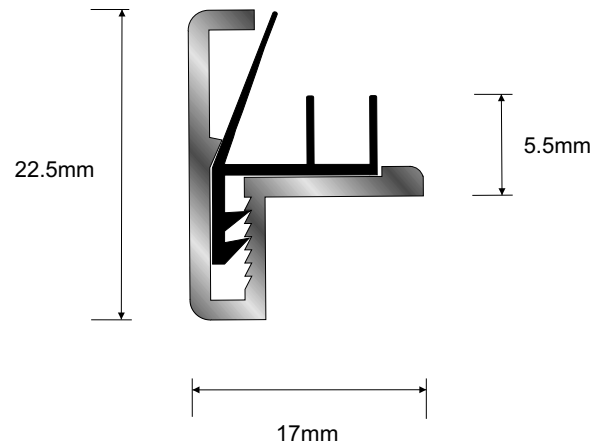
Co-extruded semi-rigid back with flexible blades and an aluminium holder.

Fixing

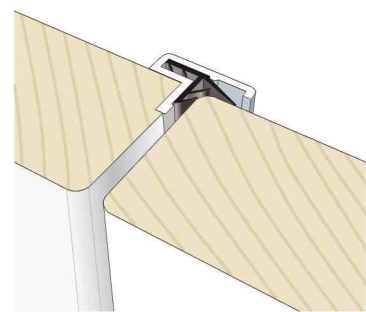
Supplied with wood screws. Aluminium holder is pre-drilled and countersunk. Once holder is fitted the gasket pushes into the holder with ease.

Colour(s)

Gasket - black. Holder - satin anodised.



NOR 510 Dimensions



NOR 510 In-Situ