



Multiwal mobile glass panel walls
visibly give you the space you need



Transparent yet secure



Transparency or safety? This is the dilemma facing many businesses. With the emergence of the 24/7 economy, more and more buildings are open to the public, even outside normal office hours. Banks, display windows or shop spaces that are visible after closing time help cut down vandalism and crime. With glass panel walls from Multiwal, you divide your space without restricting your view. That gives you the greatest possible design freedom.

This is because transparent dividing walls provide the safety of a closed space whilst also giving visitors the feeling of openness. It is not surprising that Multiwal glass dividing walls are becoming more and more popular.



Type **View**, without vertical aluminium sections, providing a horizontal pattern of lines only.



Type **View-Alu / Look**, with horizontal and vertical aluminium sections.



Type **Sight**, with its characteristic design featuring horizontal and vertical aluminium sections, creating an attractive pattern of lines.



Trendsetting designs



At your service – invisibly.

Multiwal makes mobile glass panel walls in four designs: **View**, **View-Alu**, **Look** and **Sight**. Each of these designs provides you with extensive options for arranging your space. And a combination of the four designs is also possible. The walls do not draw attention to themselves; in fact, they are very inconspicuous.

For example, the Multiwal **View** is scarcely visible with its exact continuous frame line, and no vertical aluminium sections. It is a neutral and yet very modern way of achieving an uninterrupted view.



Nowadays, with silence being an increasingly rare commodity, Multiwall mobile glass panel walls give you all the peace and quiet – and space – you need.



They can also be used in public spaces as dividing walls between shops, streets or squares in shopping centres.

Efficient, attractive and effective



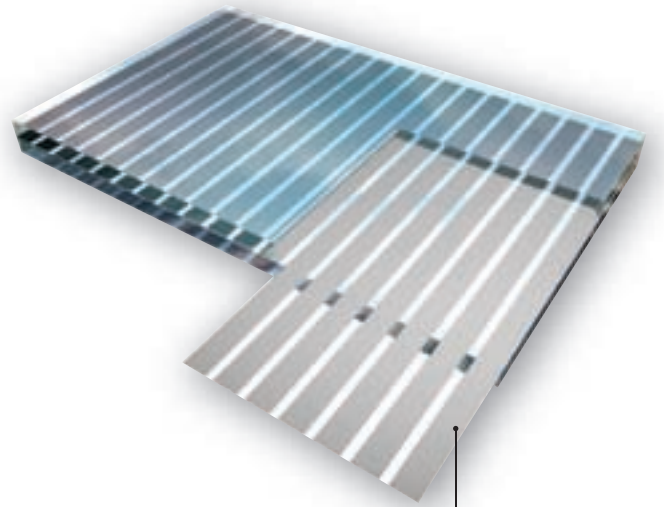
Multi-paned glass mobile panel walls, transparent yet still private.



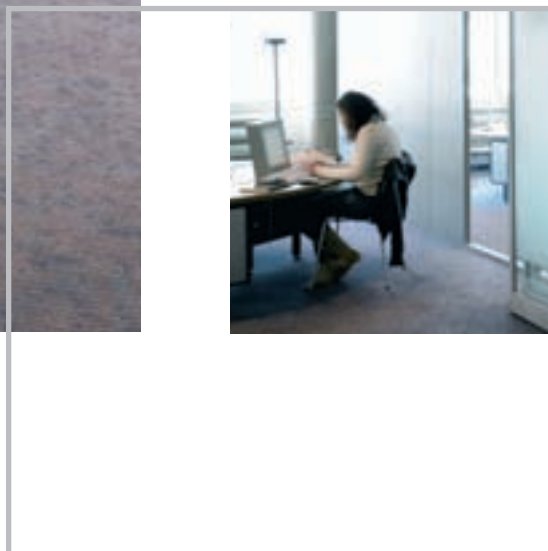
Multiwal mobile glass panel walls in a stowed position.

Glass mobile panel walls from Multiwal can be used in practically every location: banks, shopping centres, offices, libraries, hotels, restaurants or conference centres.

The options include many different variations with glass. Besides the standard 10 or 12 mm thick ESG single-glazed safety glass, the walls can also be supplied with VSG double-glazed safety glass. Designs in tinted, sand blasted or textured glass are also possible.



Any decorative motifs in foil can be applied on or between the glass panes.



Easy to use right down to the smallest detail



Thanks to their balanced construction and precise roller mechanism, Multiwal mobile glass panel walls can easily be moved by hand. With the electronically operated model, there is even greater ease of use. Multiwal is the byword for the problem-free running and parking of mobile partitions.

The technique in detail

1. Running gear

Bearing rollers with a high-quality roller technology have been specially developed for the Multiwal mobile glass panel walls. Combined with an ingenious aluminium system of tracks, the rollers allow the walls to be moved with ease.

2. Profile

The Multiwal aluminium (design) profiles have been specially developed and patented.

3. Glass

Any design is available with ESG (toughened safety glass) single-glazed or VSG (laminated safety glass) double-glazed security glass.

4. Brush sealing profile

A brush profile provides the perfect horizontal seal to the rails and the floor.

5. Vertical attachment

- **Type View:** optimal transparency, without vertical aluminium sections.
- **Type View-Alu:** with vertical aluminium sections.
- **Type Look:** vertical aluminium sections with rubber sealing profile.
- **Type Sight:** vertical frames in high-quality design, with magnetic strip.

Powder coating is available in any RAL colour. Also available in plain or colour anodised aluminium.

6. Operation

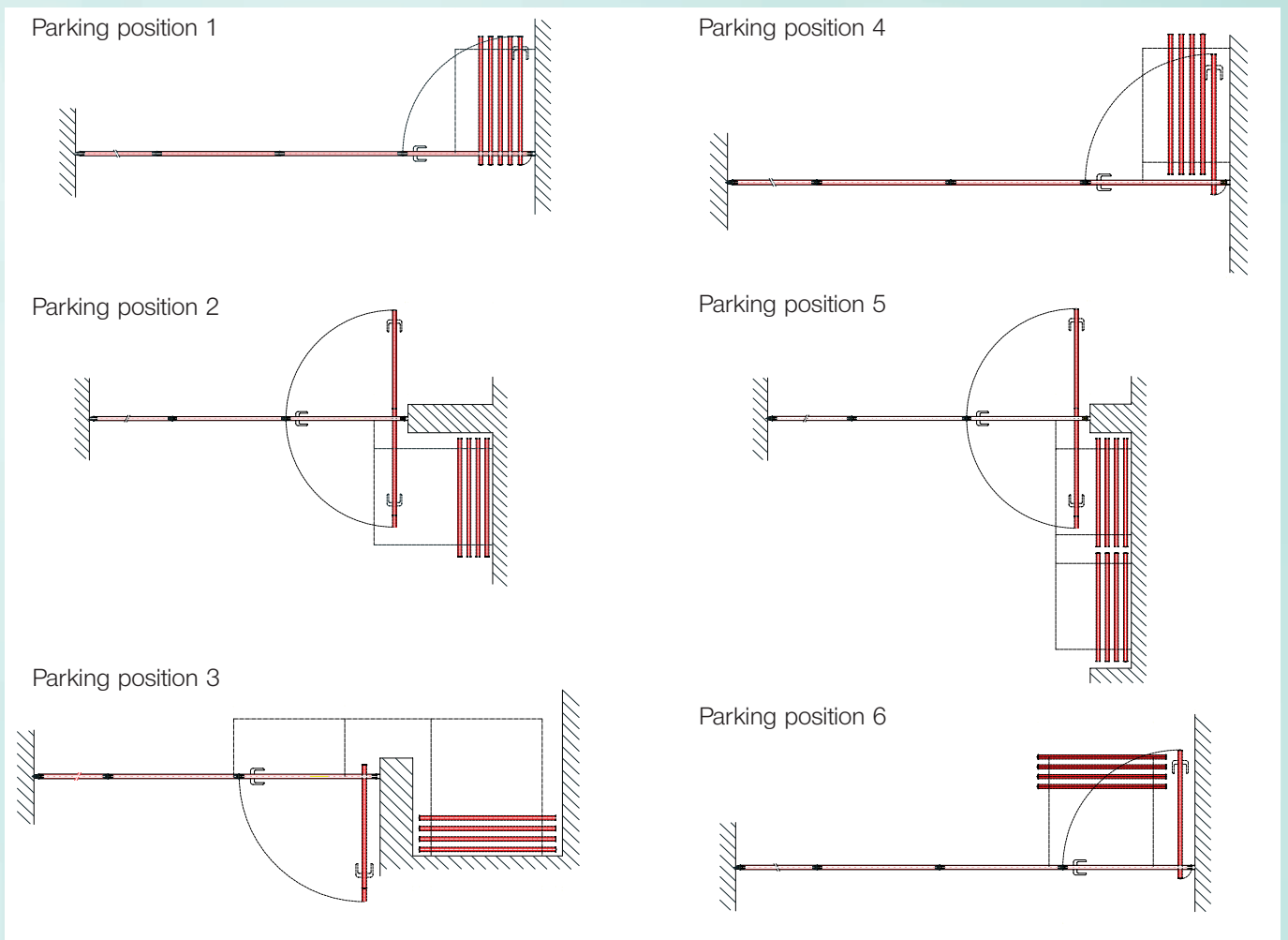
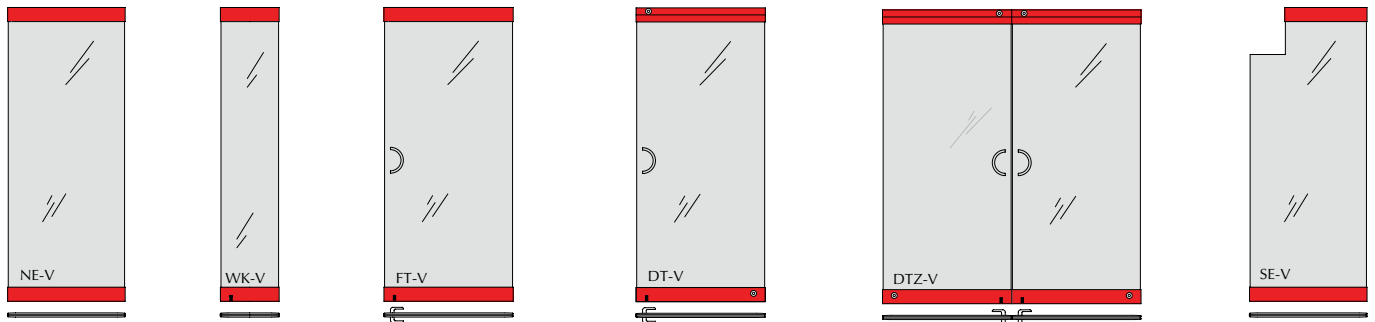
Manual or electrical operation available, as desired.

Type *View*



Type *Sight*

Type 'View'



Problem-free parking and transporting.

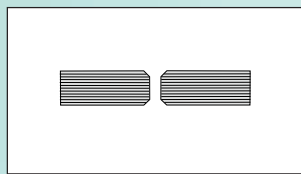
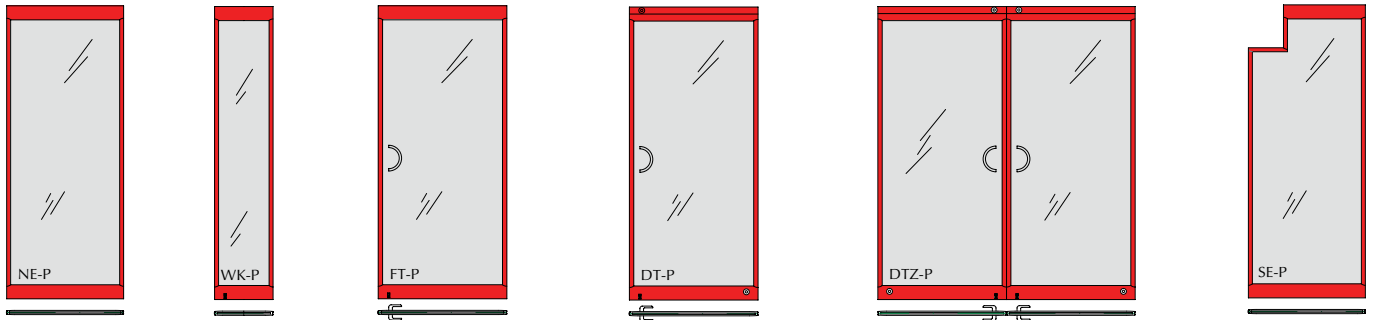
Based on many years of experience, Multiwal has developed a number of track systems for its mobile glass panel walls. Added to the extensive parking options for the walls, this means that practically all the requirements of architects and users can be satisfied. The illustrated rail types are available in all Multiwal models. They should preferably be installed before the suspended ceiling is constructed.

The silent running wheels have four sets of ball bearings. Besides the standard parking positions illustrated above, almost any parking position required by the architect or customer is possible.

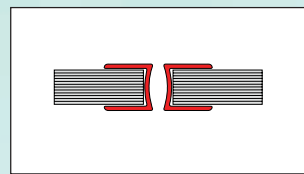
Double suspension point with bearing rollers.

Every element is suspended on two bearing rollers, which means that it can be moved in any direction to the parking position using an auxiliary track.

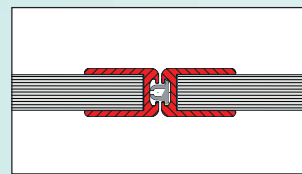
Type *View-Alu / Look / Sight*



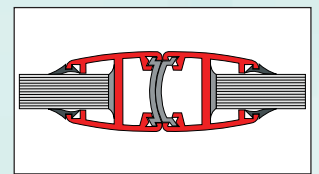
View



View-Alu



Look

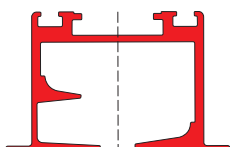


Sight

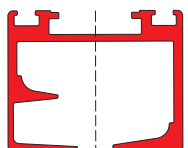
Technical features Multiwall mobile glass partitions

| | Type View | Type View-Alu | Type Look | Type Sight |
|-----------------------------|--|--|---|--|
| Dimensions | | | | |
| Element thickness mm | 43 mm | 43 mm | 43 mm | 43 mm |
| Element height mm* | 500 - 3500 | 500 - 3500 | 500 - 3500 | 500 - 3500 |
| Element width (min-max) mm* | 400 - 1300 | 400 - 1300 | 400 - 1300 | 400 - 1300 |
| Frame construction | Aluminium | Aluminium | Aluminium | Aluminium |
| Glass | 10 and 12 mm ESG or VSG glass | 10 and 12 mm ESG or VSG glass | 10 and 12 mm ESG or VSG glass | 10 and 12 mm ESG or VSG glass |
| Vertical frames | Without vertical aluminium sections | Vertical U-profiles in RAL colour as desired or anodised | Vertical U-profiles in RAL colour as desired or anodised and with integrated rubber pad | Vertical design frames in RAL colour as desired or anodised with integrated magnetic strip |
| Floor and rail attachment | Flexible brush seal | Flexible brush seal | Flexible brush seal | Flexible brush seal |
| Operation | Hand-operated | Hand-operated | Hand-operated | Hand-operated |
| Electrically operated | Electrically operated | Electrically operated | Electrically operated | Electrically operated |
| Through doors | 1-winged permanently attached 1- or 2-winged in element | 1-winged permanently attached 1- or 2-winged in element | 1-winged permanently attached 1- or 2-winged in element | 1-winged permanently attached 1- or 2-winged in element |

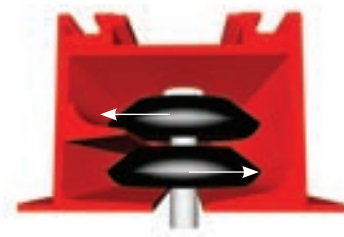
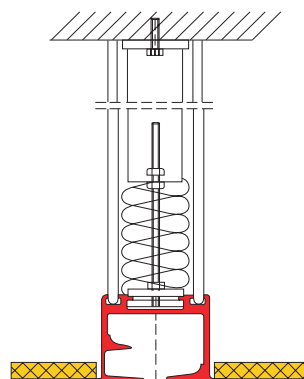
* Options include all types of tinted and textured glass * Every desired decoration possible * Glass can be supplied with (house-style) logos



MR-1



MR



Specially patented rail for flexibility and silence.

MULTIVAL



Multiwal B.V.

Kleine Beer 20
PO Box 272
2950 AG Alblasterdam
The Netherlands
Tel: 0031-78-6922122
Fax: 0031-78-6934228
E-mail: info@multiwal.nl

www.multiwal.com



Intelligent solutions for a flexible space

For more than 40 years, Multiwal has been manufacturing and installing a wide range of panel walls, folding partitions, glass partitions and WC, shower and changing cubicles. Our customers mainly consist of government bodies, architects, project developers, housing cooperatives and building contractors. We have built up a close relationship with these customers over the years.

Because Multiwal provides customised solutions, it is always better if our advisers become involved in your project as early as possible in the planning phase. In that way, we can jointly arrive at intelligent solutions for the most flexible arrangement of your space.

Multiwal will design and manufacture your solution in-house. Needless to say, the process involves continuous quality control and the use of our advanced production techniques. And Multiwal will remain committed to your project, even after we have expertly installed the walls and conducted our final inspection. Periodical inspections by our team of specialists will ensure that your dividing walls remain in perfect condition.

Please feel free to contact us for detailed information about:

- **Multiwal folding partitions**
- **Multiwal panel walls**
- **Multiwal glass panel walls**
- **Multiwal sanitary partitions**

Technical data sheets and drawings available on request

Dealer address:

® All the names of our products are registered trademarks.



All our products are ISO certified.

Our quality is your security.