

QuickWash - Small Height Adjustable Washbasin

Product details

↕ 10 cm manual adjustment (diagonal)

🔑 Release lever on lefthand side

🔍 Visible installations



Description

QuickWash is a manual height adjustable bathroom sink with the ability to project off the wall. The sink can be lowered 14 cm from its fixed point and move 10 cm out from the wall. When the sink is projected out and down, wheelchair users get 63 cm legroom, allowing them to get close to the sink and reach the tap.

The height is adjusted with a release handle which also can be used as a towel holder. It requires very little effort to lower and raise the washbasin. The position lock secures that the basin is securely fastened. Quickwash come with mixer tap, flexible connecting hoses and flexible waste.

Specifications

Item number	40-42121
Power	Manual
Mounting	Wall-mounted
Max. User weight according to ISO 17966:2016	150 kg
Included	Mixer tap, flexible connecting hoses and flexible waste
Materials	Sink: Vitreous china Unit: Welded steel tubes and sheet St. 37. Aluminium alloy 6060-T6. Various plastic components.

QuickWash - Small Height Adjustable Washbasin

Standard colour White

Surface treatment Powder coating, RAL 9010, matte white

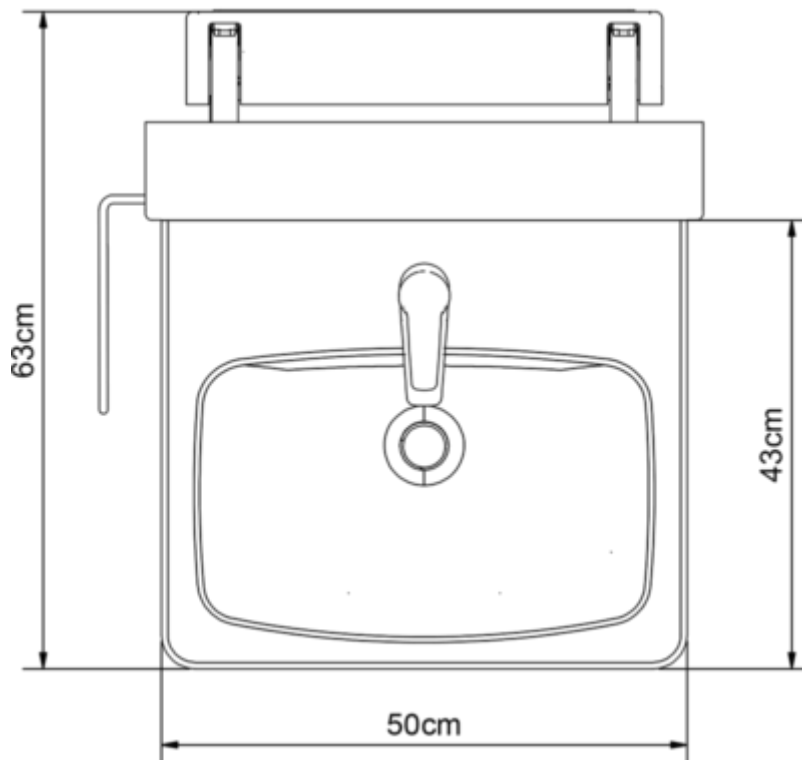
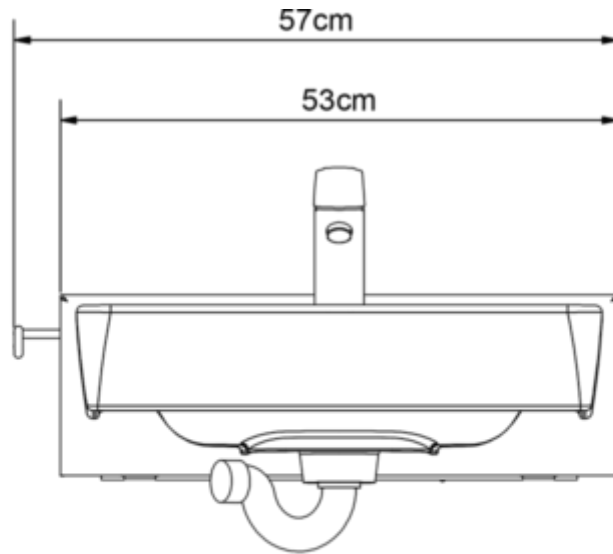
Standard Manufactured in accordance with the following standard: DS/ISO 17966:2016

CE certified

Intended use Ropox QuickWash is intended for use in both homecare and professional healthcare environments. Adjusting the height and depth of the wash basin, accommodates ergonomic requirements, stemming from the difference in height between seated wheelchair users and standing users. Ropox QuickWash is not intended for playing with or as an exercise-equipment.

Line drawing

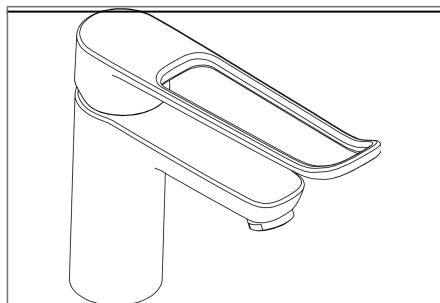
**QuickWash - Small Height Adjustable
Washbasin**



Accessories

Item No: 40-42121

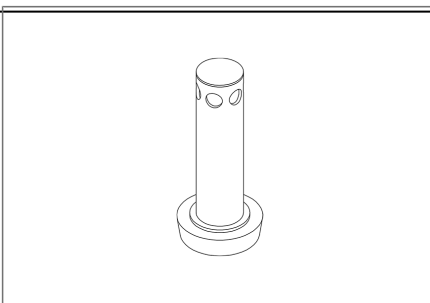
QuickWash - Small Height Adjustable Washbasin



Item no: 40-44039

Mixer Tap With Extended Lever

The Oras Clinica mixer tap with a fixed 180 mm extended lever for enhanced accessibility. This mixer tap is compatible with AdaptLine, StandardLine, SlimLine and SupportLine washbasins.



Item no: 40-40935

Plug With Overflow

Plug with built-in overflow for use with bathroom washbasins without overflow. This item is compatible with all Ropox washbasins.