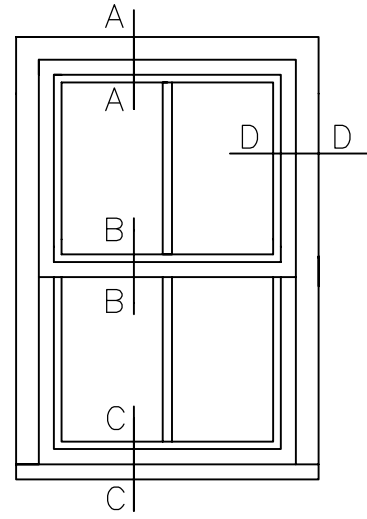
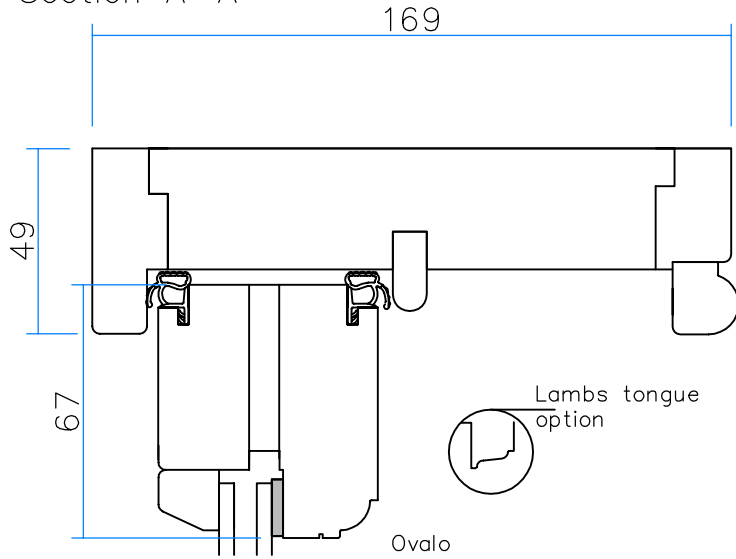
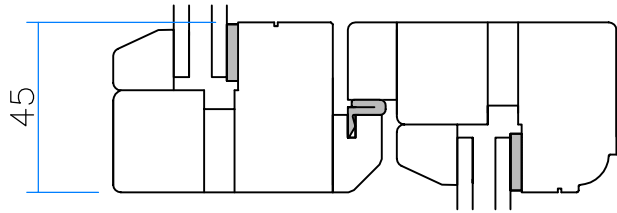


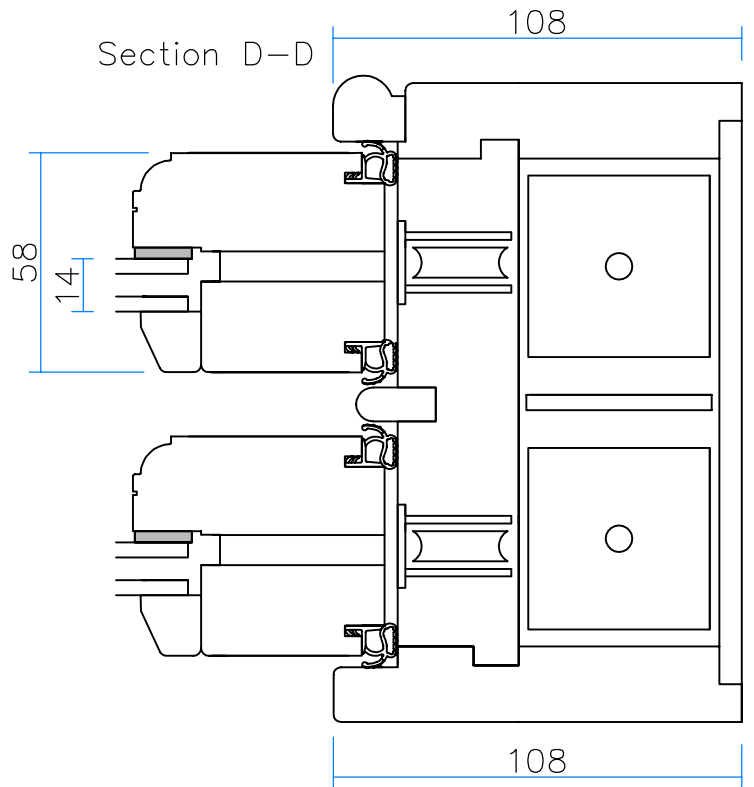
Section A-A



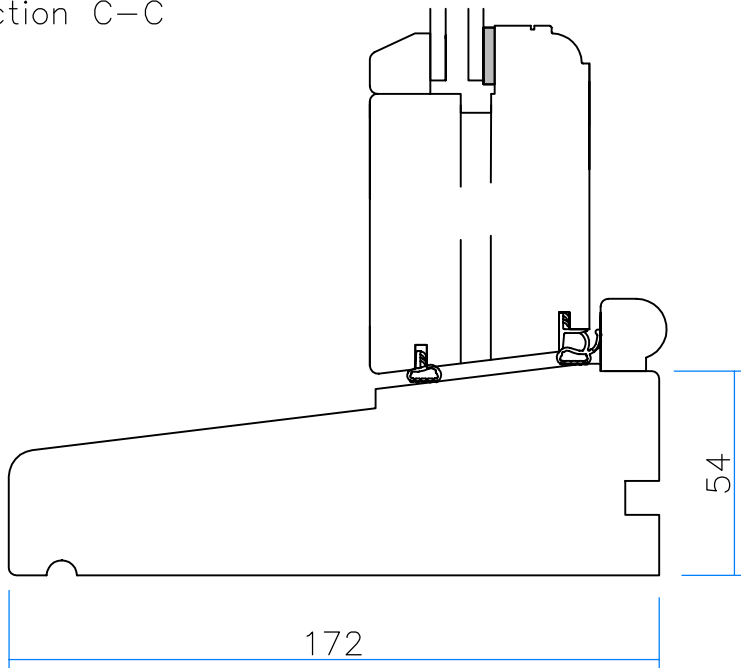
Section B-B



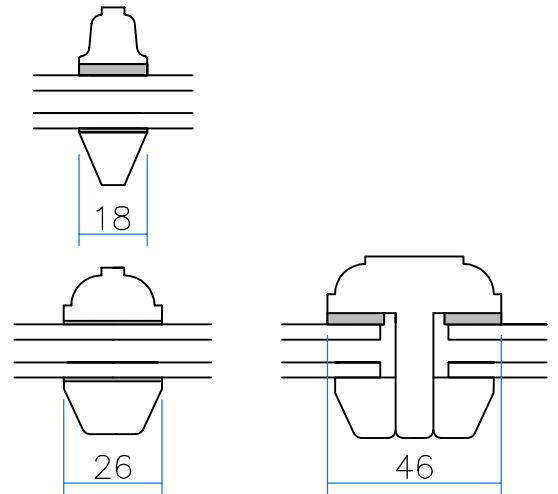
Section D-D



Section C-C



Georgain Bar Sections



ALL DIMENSIONS SHOWN IN MILLIMETRES


Midland Conservatories
TRADITIONAL TIMBER CONSERVATORIES, WINDOWS & DOORS
 Drawn by: RWS
 Scale: 1:2
 Date: 22.08.15

Midland 14mm Glazing Sliding Sash Window with Weights & Pulleys

Revision:

REF: Cross Section Detail

All drawings are subject to modification without notice