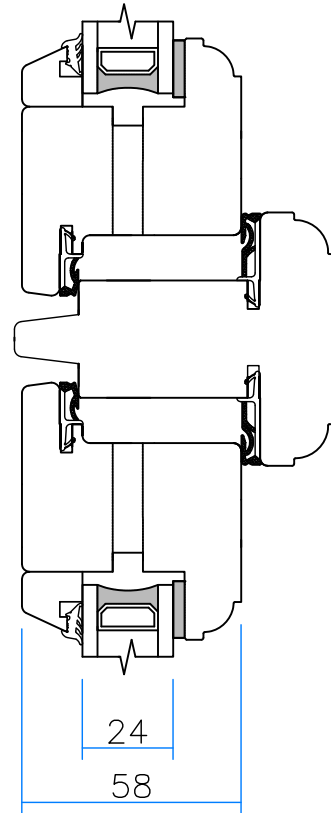
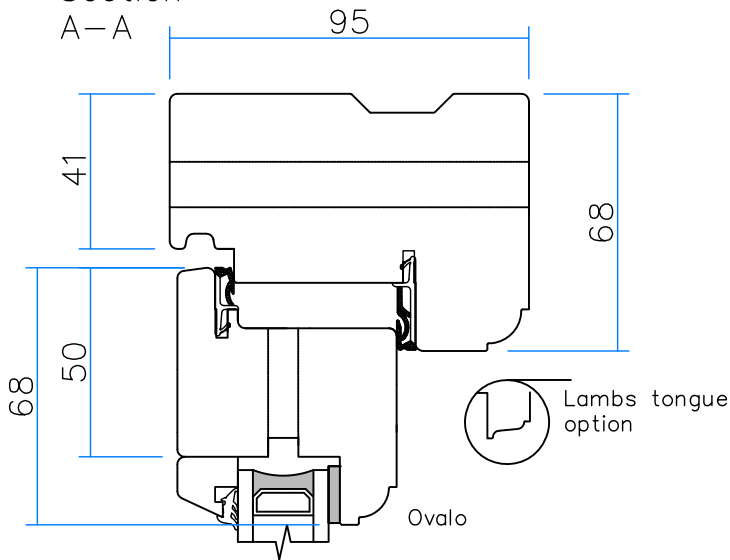


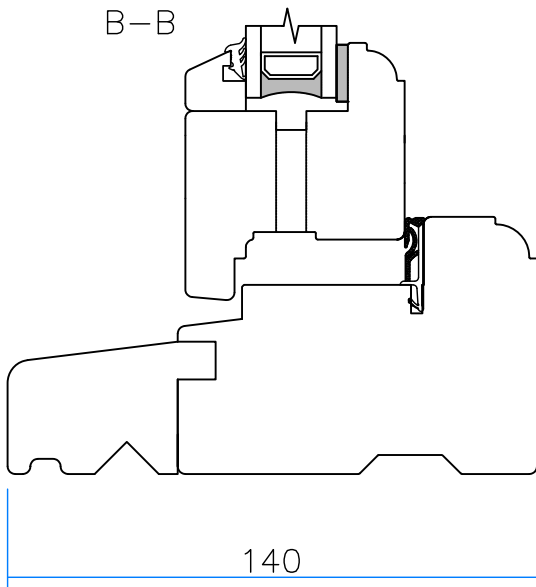
Section C-C



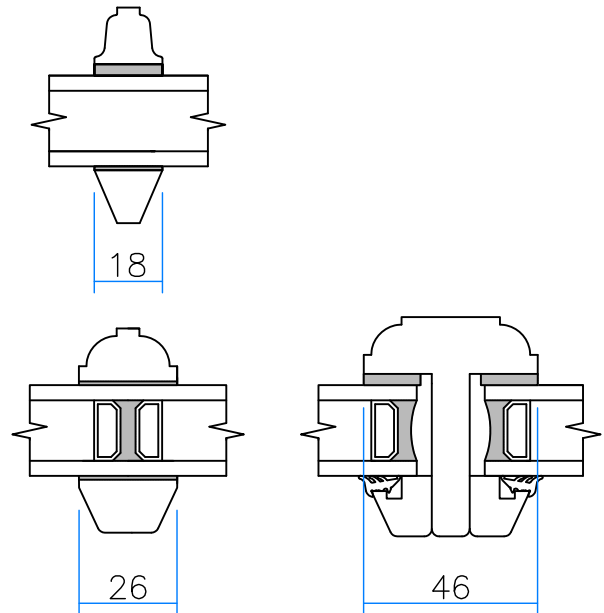
Section A-A



Section B-B



Georgain Bar Sections



ALL DIMENSIONS SHOWN IN MILLIMETRES

 Midland Conservatories <small>TRADITIONAL TIMBER CONSERVATORIES, WINDOWS & DOORS</small>	Midland Flush Casement Window	Revision:
	REF: Cross Section Detail	
Drawn by: RWS	Scale: 1:2	Date: 27.05.15
All drawings are subject to modification without notice		