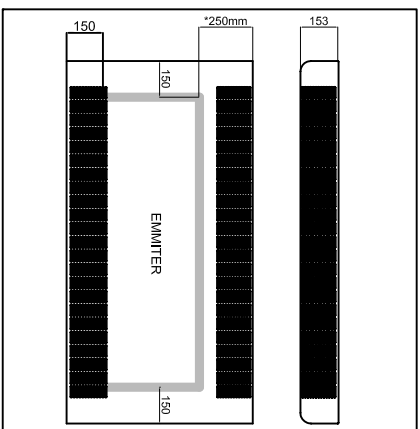
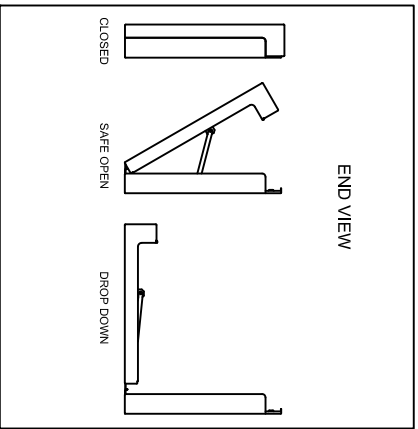


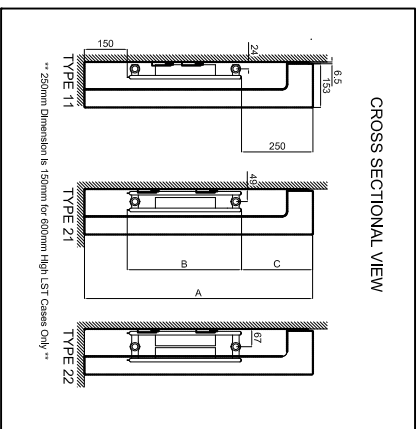
SMART LST MOUNTING INSTRUCTION



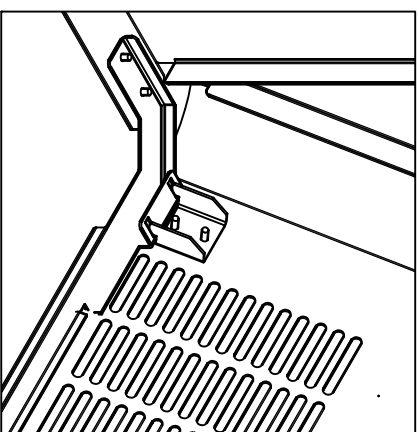
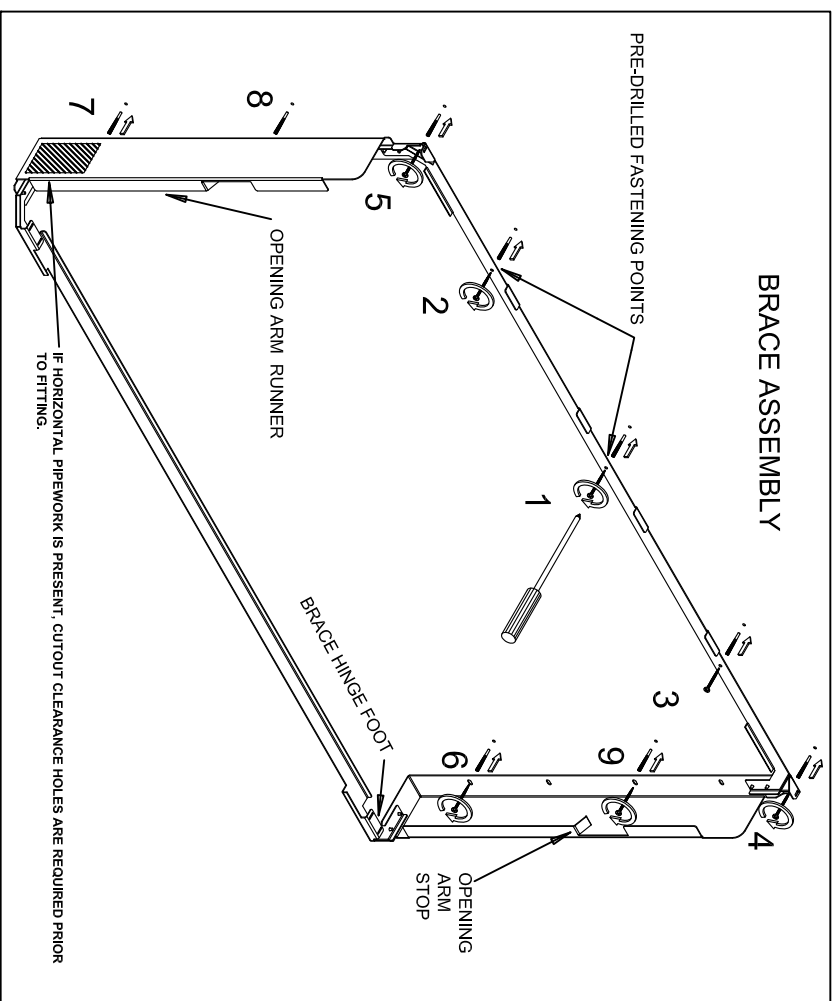
1. MOUNT EMITTER TO WALL IN ACCORDANCE WITH INSTALLATION SHEET. ENSURE EMITTER IS 150mm OFF THE FLOOR.



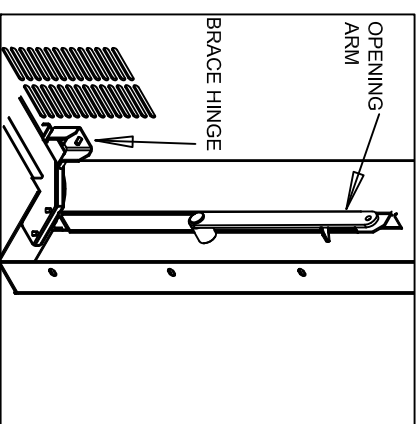
3. USING PRE-DRILLED HOLES ON BRACE ASSEMBLY, DRILL INTO WALL.



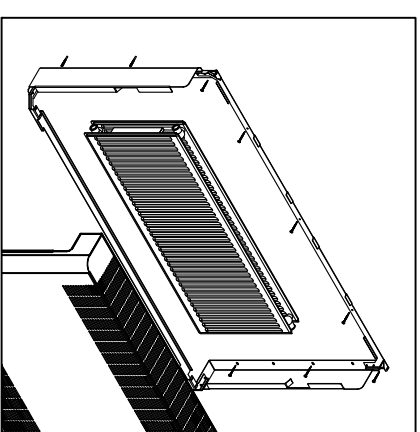
5. ONCE THE BRACE IS SECURELY FIXED TO THE WALL LIFT COVER AND LOCATE BRACE FEET INTO THE TWO BRACE HINGES



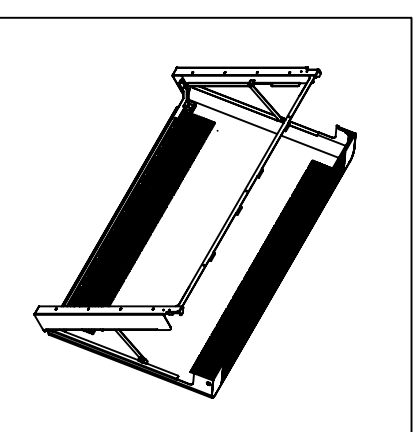
6. PARTIALLY CLOSE COVER. FLIP OPENING ARMS OVER OPENING STOP AND DROP THEM DOWN ON TO OPENING ARM RUNNER WHILST HOLDING THE COVER



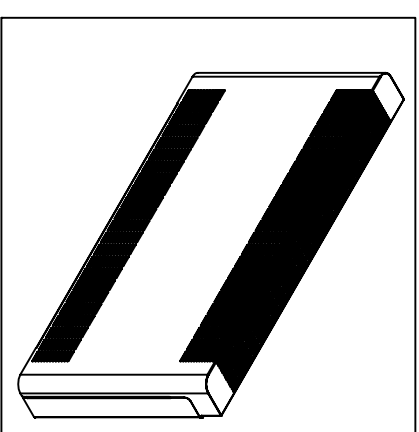
7. OPEN THE COVER AND ENSURE THE OPENING ARMS SLIDE FREELY. THE COVER WILL LOOK TO THE SAFE OPEN POSITION (APPROXIMATELY AT 30 DEGREES).



2. LOOSELY ALIGN BRACE ASSEMBLY OVER EMITTER AND SELECT EXACT POSITION TO COMPLY WITH NHS GUIDELINES. COVER MUST BE 150mm AWAY FROM EACH END OF THE EMITTER



4. FASTEN BRACE ASSEMBLY TO WALL IN 9 POSITIONS AS PER SEQUENCE LABELLED 1-9)



8.IT IS RECOMMENDED TO INSTALL EITHER A REMOTE ADJUSTER TVV OR INTERNAL TRV WITH SENSOR. CUTOUT DETAILS FOR REMOTE ADJUSTER ON OUTSIDE OF CASING AVAILABLE ON REQUEST