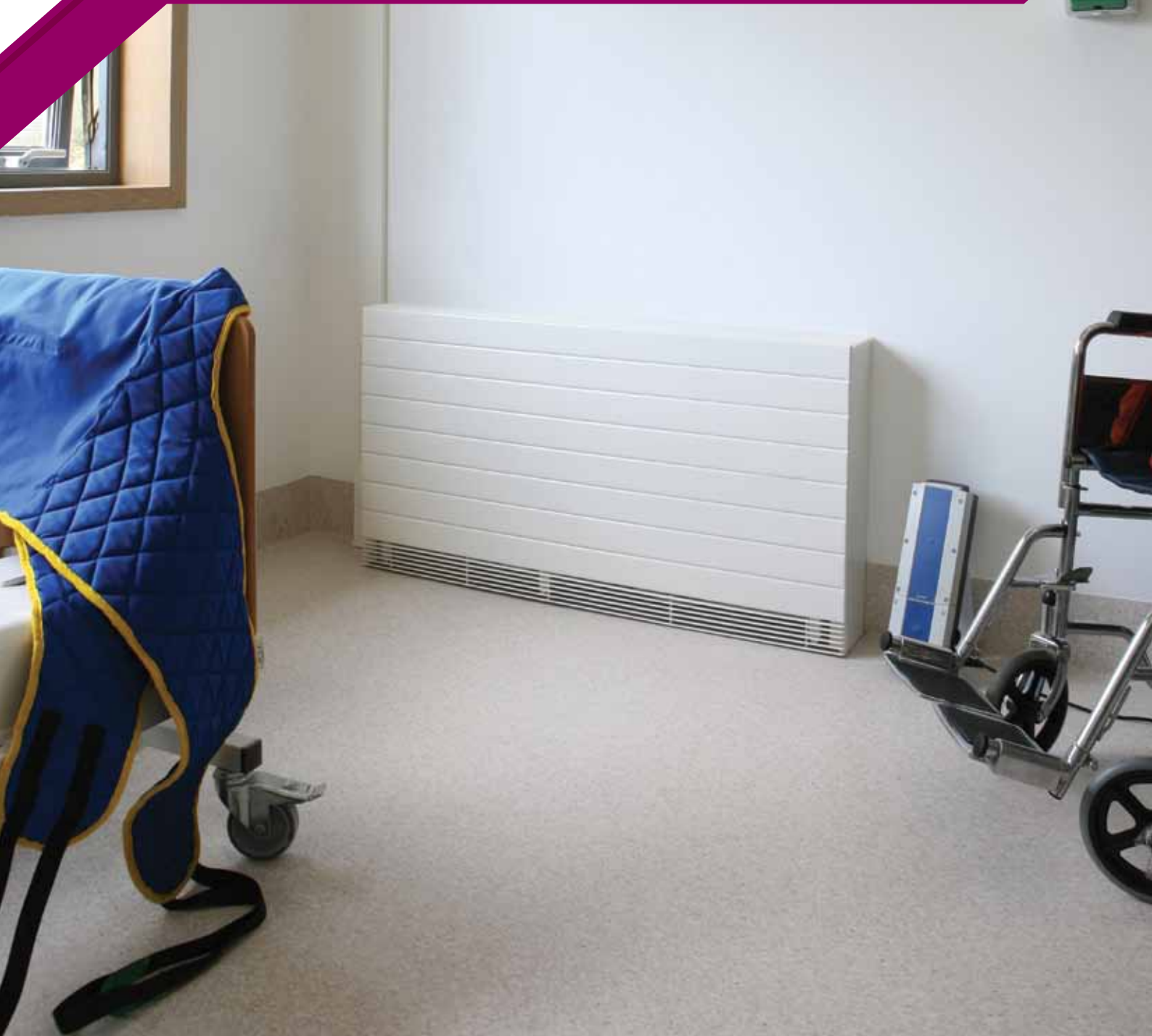


Merriott

DESIGN RADIATORS

EXTENDED RANGE LST RADIATORS TECHNICAL INFORMATION



CONTENTS

Safety Guidelines	2
Extended Range LST's at $\Delta T 55^{\circ}\text{C}$	3-7
-Style LC2A & LC2B	4
-Style LC2C	5
-Style LC4A & LC4B	6
-Style LC4C	7
Outputs and details at other ΔT's	8-19
-Style LC2A	9-10
-Style LC2B	11-12
-Style LC2C	13
-Style LC4A	14-15
-Style LC4B	16-17
-Style LC4C	18-19
Applications	20-24
-Emitters and fixing positions	20-21
-Emitter brackets locations	22-24
Features and Options	25-29
Valve Option Features	25
-Valve Options T1 – T10	25-27
-Additional Features	28
Pipework Cutout Options	29
Specification Sheet	30
How to Order	31

Extended Range LST

Safety Guidelines

In order to best guarantee patient safety, the National Health Service (NHS) Estates body has issued a Health Guidance Note regarding the maximum safe surface temperatures for all space heating devices.

These NHS Estates Guidelines specify that the maximum surface temperature of space heating devices should not exceed 43°C when the system is running at the maximum design output of 80°C Flow and 70°C Return (i.e. $\Delta T55^{\circ}\text{C}$)

Extended Range LST's

Merriott Radiators are pleased to offer the following range of Low Surface Temperature products that comply with NHS guidelines for maximum surface temperature of 43°C at a design output of 80°C Flow and 70°C Return (i.e. $\Delta T55^{\circ}\text{C}$).

Applications

Our product is suitable for all applications where surface temperature is a design requirement or concern.

Typical applications are -

- Hospital Wards, Paediatric, Geriatric, Psychiatric
- Nursing Homes
- Crèches
- Schools

Outputs

All Merriott Radiators emitters are manufactured and tested in accordance with BS EN 442 and the NF quality mark requirements in its state of the art BS EN ISO 9001:2008 accredited manufacturing facility in Newport, Wales.

Warranty

Merriott Radiators Extended Range LST radiators are guaranteed for a period of ten years in respect of defective materials and workmanship. In order for the warranty to be valid, designers and installers must observe and adhere to **BS EN 12828:2003**. Heating systems in buildings – design for water based heating systems and installers must adhere to **BS EN 14336:2004**. Heating system in buildings – installation and commissioning of water based heating systems. In addition Merriott Radiators recommends that designers and installers observe and adhere to the British Standard code of practice for the treatment of water in domestic hot water central heating systems and **BS 7593:2006**, the use of corrosion inhibitor is recommended for all applications, failure to observe this may result in the invalidation of warranty.

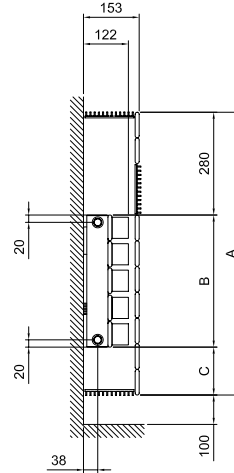
**Extended Range
LST'S $\Delta T55^{\circ}\text{C}$**

Extended Range LST's

Style LC2A

Style LC2A - General Description

T.T.C STYLE 2 WITH A H12 EMITTER
 TOP OUTLET GRILLE
 TOP FRONT FACING GRILLE (140MM)
 BOTTOM FRONT FACING GRILLE (NONE)
 BOTTOM INLET GRILLE



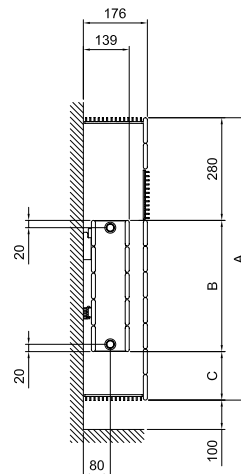
Cover 'A' (mm)	560	630	700	770	840	910	980
Emitter 'B' (mm)	143	215	288	360	433	505	578
Clearance 'C' (mm)	137	207	205	202	200	197	195

(Watts/m) $\Delta T55^\circ C$	544	726	891	1027	1186	1347	1477
Emitter Water Content (Litres/m)	1.05	1.81	2.58	3.20	4.01	4.80	5.43
Emitter Dry Weight (Kg/m)	9.25	13.94	18.71	24.10	28.51	32.85	37.26

Style LC2B

Style LC2B - General Description

T.T.C STYLE 2 WITH A H22s EMITTER
 TOP OUTLET GRILLE
 TOP FRONT FACING GRILLE (140MM)
 BOTTOM FRONT FACING GRILLE (NONE)
 BOTTOM INLET GRILLE



Cover 'A' (mm)	630	700	770	840	910	980
Emitter 'B' (mm)	143	215	288	360	433	505
Clearance 'C' (mm)	207	205	202	200	197	195

(Watts/m) $\Delta T55^\circ C$	739	963	1168	1364	1553	1739
Emitter Water Content (Litres/m)	2.50	3.40	4.30	5.20	7.31	8.50
Emitter Dry Weight (Kg/m)	13.67	18.22	22.84	27.40	35.81	44.10

Outputs at $\Delta T55^\circ C$ per metre of emitter. Add 300 mm for Overall Casing Length.

Extended Range LST's

Style LC2C

Style LC2C - General Description

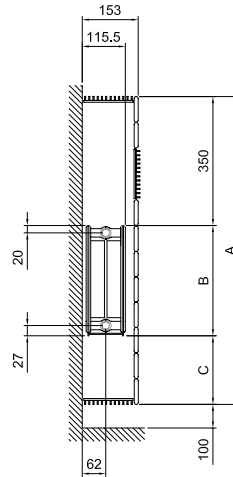
T.T.C STYLE 2 WITH A Q22 EMITTER

TOP OUTLET GRILLE

TOP FRONT FACING GRILLE (140MM)

BOTTOM FRONT FACING GRILLE (NONE)

BOTTOM INLET GRILLE



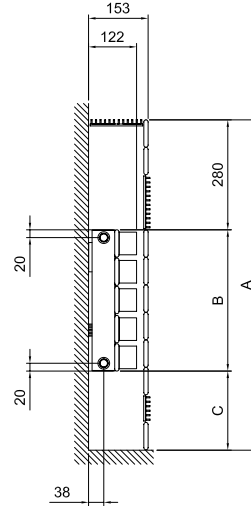
Cover 'A' (mm)	770	840	910	980
Emitter 'B' (mm)	300	300	400	500
Clearance 'C' (mm)	120	190	160	130
(Watts/m) $\Delta T55^{\circ}C$	1241	1241	1564	1870
Emitter Water Content (Litres/m)	3.39	3.39	4.39	5.38
Emitter Dry Weight (Kg/m)	16.84	16.84	22.65	28.47

Extended Range LST's

Style LC4A

Style LC4A - General Description

T.T.C STYLE 4 WITH A H12 EMITTER
 TOP OUTLET GRILLE
 TOP FRONT FACING GRILLE (140MM)
 BOTTOM FRONT FACING GRILLE (70MM)

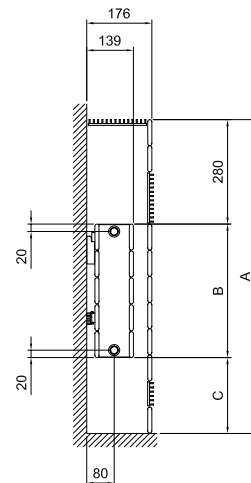


Cover 'A' (mm)	630	700	770	840	910	980
Emitter 'B' (mm)	143	215	288	360	433	505
Clearance 'C' (mm)	207	205	202	200	197	195
(Watts/m) $\Delta T55^\circ C$	544	726	891	1027	1186	1347
Emitter Water Content (Litres/m)	1.05	1.81	2.58	3.20	4.01	4.80
Emitter Dry Weight (Kg/m)	9.25	13.94	18.71	24.10	28.51	32.85

Style LC4B

Style LC4B - General Description

T.T.C STYLE 4 WITH A H22s EMITTER
 TOP OUTLET GRILLE
 TOP FRONT FACING GRILLE (140MM)
 BOTTOM FRONT FACING GRILLE (70MM)



Cover 'A' (mm)	630	700	770	840	910	980
Emitter 'B' (mm)	143	215	288	360	433	505
Clearance 'C' (mm)	207	205	202	200	197	195
(Watts/m) $\Delta T55^\circ C$	739	963	1168	1364	1553	1739
Emitter Water Content (Litres/m)	2.50	3.40	4.30	5.20	7.31	8.50
Emitter Dry Weight (Kg/m)	13.67	18.22	22.84	27.40	35.81	44.10

Outputs at $\Delta T55^\circ C$ per metre of emitter. Add 300 mm for Overall Casing Length.

Extended Range LST's

Style LC4C

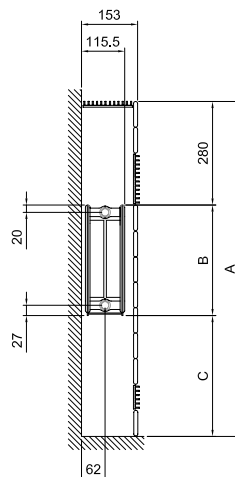
Style LC4C - General Description

T.T.C STYLE 4 WITH A Q22 EMITTER

TOP OUTLET GRILLE

TOP FRONT FACING GRILLE (140MM)

BOTTOM FRONT FACING GRILLE (70MM)



Cover 'A' (mm)	700	770	840	910	980
Emitter 'B' (mm)	300	300	400	500	600
Clearance 'C' (mm)	120	190	160	130	100
(Watts/m) $\Delta T55^{\circ}C$	1241	1241	1564	1870	2162
Emitter Water Content (Litres/m)	3.39	3.39	4.39	5.38	6.38
Emitter Dry Weight (Kg/m)	16.84	16.84	22.65	28.47	34.28

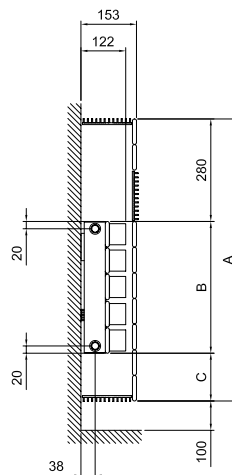
**Outputs (Watts) and
details at other ΔT 's**

Extended Range LST's

Style LC2A

Style LC2A - General Description

- T.T.C STYLE 2 WITH A H12 EMITTER
- TOP OUTLET GRILLE
- TOP FRONT FACING GRILLE (140MM)
- BOTTOM FRONT FACING GRILLE (NONE)
- BOTTOM INLET GRILLE



Cover 'A' (mm)	560	630	700	770
Emitter 'B' (mm)	143	215	288	360
Clearance 'C' (mm)	137	135	132	130

Lengths (mm)	
LST Case	Emitter
700	400
800	500
900	600
1000	700
1100	800
1200	900
1300	1000
1400	1100
1500	1200
1600	1300
1700	1400
1800	1500
1900	1600
2000	1700
2100	1800
2200	1900
2300	2000
2400	2100
2500	2200
2600	2300
2700	2400
2800	2500
2900	2600
3000	2700

Output (Watts)	
ΔT50	ΔT56
192	223
241	279
289	335
337	391
385	446
433	502
481	558
529	614
577	670
625	725
673	781
722	837
770	893
818	949
866	1004
914	1060
962	1116
1010	1172
1058	1228
1106	1283
1154	1339
1203	1395
1251	1451
1299	1507

Output (Watts)	
ΔT50	ΔT56
256	297
321	372
385	446
449	520
513	594
577	669
641	743
705	817
769	892
833	966
897	1040
962	1115
1026	1189
1090	1263
1154	1337
1218	1412
1282	1486
1346	1560
1410	1635
1474	1709
1538	1783
1603	1858
1667	1932
1731	2006

Output (Watts)	
ΔT50	ΔT56
315	365
394	456
472	547
551	638
630	730
708	821
787	912
866	1003
944	1094
1023	1186
1102	1277
1181	1368
1259	1459
1338	1550
1417	1642
1495	1733
1574	1824
1653	1915
1731	2006
1810	2098
1889	2189
1968	2280
2046	2371
2125	2462

Output (Watts)	
ΔT50	ΔT56
363	420
454	525
544	630
635	735
726	840
816	945
907	1050
998	1155
1088	1260
1179	1365
1270	1470
1361	1575
1451	1680
1542	1785
1633	1890
1723	1995
1814	2100
1905	2205
1995	2310
2086	2415
2177	2520
2268	2625
2358	2730
2449	2835

Extended Range LST's

Style LC2A

Style LC2A - General Description

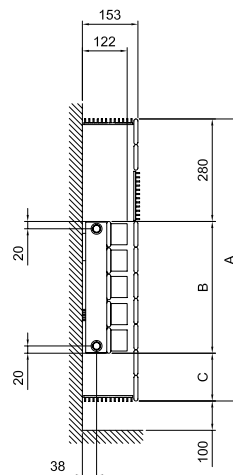
T.T.C STYLE 2 WITH A H12 EMITTER

TOP OUTLET GRILLE

TOP FRONT FACING GRILLE (140MM)

BOTTOM FRONT FACING GRILLE (NONE)

BOTTOM INLET GRILLE



Cover 'A' (mm)	840	910	980
Emitter 'B' (mm)	433	505	578
Clearance 'C' (mm)	127	125	122

Lengths (mm)	
LST Case	Emitter
700	400
800	500
900	600
1000	700
1100	800
1200	900
1300	1000
1400	1100
1500	1200
1600	1300
1700	1400
1800	1500
1900	1600
2000	1700
2100	1800
2200	1900
2300	2000
2400	2100
2500	2200
2600	2300
2700	2400
2800	2500
2900	2600
3000	2700

Output (Watts)	
ΔT50	ΔT56
419	486
524	608
629	729
734	851
838	972
943	1094
1048	1215
1153	1337
1258	1458
1362	1580
1467	1701
1572	1823
1677	1944
1782	2066
1886	2187
1991	2309
2096	2430
2201	2552
2306	2673
2410	2795
2515	2916
2620	3038
2725	3159
2830	3281

Output (Watts)	
ΔT50	ΔT56
476	552
595	690
714	827
833	965
952	1103
1071	1241
1190	1379
1309	1517
1428	1655
1547	1793
1666	1931
1785	2069
1904	2206
2023	2344
2142	2482
2261	2620
2380	2758
2499	2896
2618	3034
2737	3172
2856	3310
2975	3448
3094	3585
3213	3723

Output (Watts)	
ΔT50	ΔT56
522	605
653	756
783	907
914	1058
1044	1210
1175	1361
1305	1512
1436	1663
1566	1814
1697	1966
1827	2117
1958	2268
2088	2419
2219	2570
2349	2722
2480	2873
2610	3024
2741	3175
2871	3326
3002	3478
3132	3629
3263	3780
3393	3931
3524	4082

Extended Range LST's

Style LC2B

Style LC2B - General Description

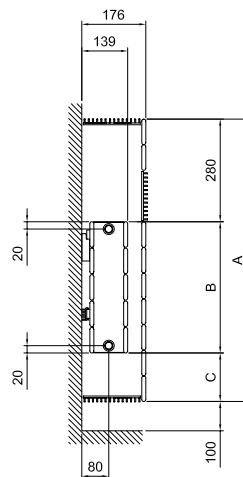
T.T.C STYLE 2 WITH A H22s EMITTER

TOP OUTLET GRILLE

TOP FRONT FACING GRILLE (140MM)

BOTTOM FRONT FACING GRILLE (NONE)

BOTTOM INLET GRILLE



Cover 'A' (mm)	630	700	770
Emitter 'B' (mm)	143	215	288
Clearance 'C' (mm)	207	205	202

Lengths (mm)	
LST Case	Emitter
700	400
800	500
900	600
1000	700
1100	800
1200	900
1300	1000
1400	1100
1500	1200
1600	1300
1700	1400
1800	1500
1900	1600
2000	1700
2100	1800
2200	1900
2300	2000
2400	2100
2500	2200
2600	2300
2700	2400
2800	2500
2900	2600
3000	2700

Output (Watts)	
$\Delta T50$	$\Delta T56$
261	302
327	378
392	454
457	529
522	605
588	680
653	756
718	832
784	907
849	983
914	1058
980	1134
1045	1210
1110	1285
1175	1361
1241	1436
1306	1512
1371	1588
1437	1663
1502	1739
1567	1814
1633	1890
1698	1966
1763	2041

Output (Watts)	
$\Delta T50$	$\Delta T56$
340	394
426	493
511	592
596	690
681	789
766	887
851	986
936	1085
1021	1183
1106	1282
1191	1380
1277	1479
1362	1578
1447	1676
1532	1775
1617	1873
1702	1972
1787	2071
1872	2169
1957	2268
2042	2366
2128	2465
2213	2564
2298	2662

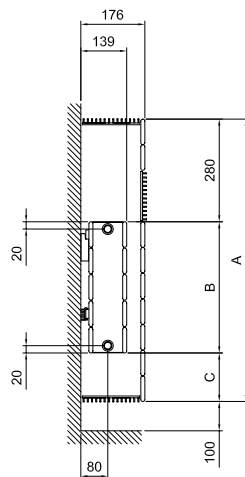
Output (Watts)	
$\Delta T50$	$\Delta T56$
413	478
516	598
619	718
722	837
826	957
929	1076
1032	1196
1135	1316
1238	1435
1342	1555
1445	1674
1548	1794
1651	1914
1754	2033
1858	2153
1961	2272
2064	2392
2167	2512
2270	2631
2374	2751
2477	2870
2580	2990
2683	3110
2786	3229

Extended Range LST's

Style LC2B

Style LC2B - General Description

- T.T.C STYLE 2 WITH A H22s EMITTER
- TOP OUTLET GRILLE
- TOP FRONT FACING GRILLE (140MM)
- BOTTOM FRONT FACING GRILLE (NONE)
- BOTTOM INLET GRILLE



Cover 'A' (mm)	840	910	980
Emitter 'B' (mm)	360	433	505
Clearance 'C' (mm)	200	197	195

Lengths (mm)	
LST Case	Emitter
700	400
800	500
900	600
1000	700
1100	800
1200	900
1300	1000
1400	1100
1500	1200
1600	1300
1700	1400
1800	1500
1900	1600
2000	1700
2100	1800
2200	1900
2300	2000
2400	2100
2500	2200
2600	2300
2700	2400
2800	2500
2900	2600
3000	2700

Output (Watts)	
$\Delta T50$	$\Delta T56$
482	558
603	698
723	838
844	977
964	1117
1085	1256
1205	1396
1326	1536
1446	1675
1567	1815
1687	1954
1808	2094
1928	2234
2049	2373
2169	2513
2290	2652
2410	2792
2531	2932
2651	3071
2772	3211
2892	3350
3013	3490
3133	3630
3254	3769

Output (Watts)	
$\Delta T50$	$\Delta T56$
549	756
686	945
823	1134
960	1323
1098	1512
1235	1701
1372	1890
1509	2079
1646	2268
1784	2457
1921	2646
2058	2835
2195	3024
2332	3213
2470	3402
2607	3591
2744	3780
2881	3969
3018	4158
3156	4347
3293	4536
3430	4725
3567	4914
3704	5103

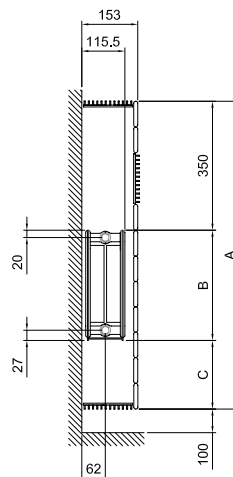
Output (Watts)	
$\Delta T50$	$\Delta T56$
614	712
768	890
922	1068
1075	1246
1229	1424
1382	1602
1536	1780
1690	1958
1843	2136
1997	2314
2150	2492
2304	2670
2458	2848
2611	3026
2765	3204
2918	3382
3072	3560
3226	3738
3379	3916
3533	4094
3686	4272
3840	4450
3994	4628
4147	4806

Extended Range LST's

Style LC2C

Style LC2C - General Description

- T.T.C STYLE 2 WITH A Q22 EMITTER
- TOP OUTLET GRILLE
- TOP FRONT FACING GRILLE (140MM)
- BOTTOM FRONT FACING GRILLE (NONE)
- BOTTOM INLET GRILLE



Cover 'A' (mm)	770	840	910	980
Emitter 'B' (mm)	300	300	400	500
Clearance 'C' (mm)	120	190	160	130

Lengths (mm)	
LST Case	Emitter
700	400
800	500
900	600
1000	700
1100	800
1200	900
1300	1000
1400	1100
1500	1200
1600	1300
1700	1400
1800	1500
1900	1600
2000	1700
2100	1800
2200	1900
2300	2000
2400	2100
2500	2200
2600	2300
2700	2400
2800	2500
2900	2600
3000	2700

Output (Watts)	
$\Delta T50$	$\Delta T56$
438	508
548	635
658	762
767	889
877	1016
986	1143
1096	1270
1206	1397
1315	1524
1425	1651
1534	1778
1644	1905
1754	2032
1863	2159
1973	2286
2082	2413
2192	2540
2302	2667
2411	2794
2521	2921
2630	3048
2740	3175
2850	3302
2959	3429

Output (Watts)	
$\Delta T50$	$\Delta T56$
438	508
548	635
658	762
767	889
877	1016
986	1143
1096	1270
1206	1397
1315	1524
1425	1651
1534	1778
1644	1905
1754	2032
1863	2159
1973	2286
2082	2413
2192	2540
2302	2667
2411	2794
2521	2921
2630	3048
2740	3175
2850	3302
2959	3429

Output (Watts)	
$\Delta T50$	$\Delta T56$
553	640
691	801
829	961
967	1121
1106	1281
1244	1441
1382	1601
1520	1761
1658	1921
1797	2081
1935	2241
2073	2402
2211	2562
2349	2722
2488	2882
2626	3042
2764	3202
2902	3362
3040	3522
3179	3682
3317	3842
3455	4003
3593	4163
3731	4323

Output (Watts)	
$\Delta T50$	$\Delta T56$
661	766
826	958
991	1149
1156	1341
1322	1532
1487	1724
1652	1915
1817	2107
1982	2298
2148	2490
2313	2681
2478	2873
2643	3064
2808	3256
2974	3447
3139	3639
3304	3830
3469	4022
3634	4213
3800	4405
3965	4596
4130	4788
4295	4979
4460	5171

Extended Range LST's

Style LC4A

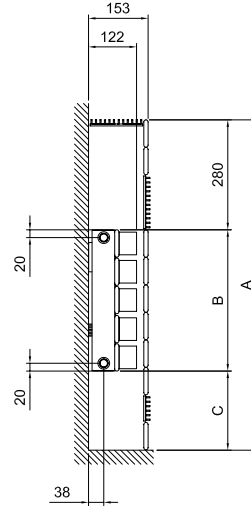
Style LC4A - General Description

T.T.C STYLE 4 WITH A H12 EMITTER

TOP OUTLET GRILLE

TOP FRONT FACING GRILLE (140MM)

BOTTOM FRONT FACING GRILLE (70MM)



Cover 'A' (mm)	630	700	770
Emitter 'B' (mm)	143	215	288
Clearance 'C' (mm)	207	205	202

LST Case Height:		630		700		770	
Emitter Height:		143		215		288	
Lengths (mm)		Output (Watts)		Output (Watts)		Output (Watts)	
LST Case	Emitter	$\Delta T50$	$\Delta T56$	$\Delta T50$	$\Delta T56$	$\Delta T50$	$\Delta T56$
700	400	192	223	256	297	315	365
800	500	241	279	321	372	394	456
900	600	289	335	385	446	472	547
1000	700	337	391	449	520	551	638
1100	800	385	446	513	594	630	730
1200	900	433	502	577	669	708	821
1300	1000	481	558	641	743	787	912
1400	1100	529	614	705	817	866	1003
1500	1200	577	670	769	892	944	1094
1600	1300	625	725	833	966	1023	1186
1700	1400	673	781	897	1040	1102	1277
1800	1500	722	837	962	1115	1181	1368
1900	1600	770	893	1026	1189	1259	1459
2000	1700	818	949	1090	1263	1338	1550
2100	1800	866	1004	1154	1337	1417	1642
2200	1900	914	1060	1218	1412	1495	1733
2300	2000	962	1116	1282	1486	1574	1824
2400	2100	1010	1172	1346	1560	1653	1915
2500	2200	1058	1228	1410	1635	1731	2006
2600	2300	1106	1283	1474	1709	1810	2098
2700	2400	1154	1339	1538	1783	1889	2189
2800	2500	1203	1395	1603	1858	1968	2280
2900	2600	1251	1451	1667	1932	2046	2371
3000	2700	1299	1507	1731	2006	2125	2462

Extended Range LST's

Style LC4A

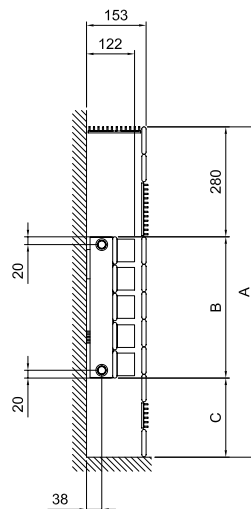
Style LC4A - General Description

T.T.C STYLE 4 WITH A H12 EMITTER

TOP OUTLET GRILLE

TOP FRONT FACING GRILLE (140MM)

BOTTOM FRONT FACING GRILLE (70MM)



Cover 'A' (mm)	840	910	980
Emitter 'B' (mm)	360	433	505
Clearance 'C' (mm)	200	197	195

Lengths (mm)	
LST Case	Emitter
700	400
800	500
900	600
1000	700
1100	800
1200	900
1300	1000
1400	1100
1500	1200
1600	1300
1700	1400
1800	1500
1900	1600
2000	1700
2100	1800
2200	1900
2300	2000
2400	2100
2500	2200
2600	2300
2700	2400
2800	2500
2900	2600
3000	2700

Output (Watts)	
$\Delta T50$	$\Delta T56$
363	420
454	525
544	630
635	735
726	840
816	945
907	1050
998	1155
1088	1260
1179	1365
1270	1470
1361	1575
1451	1680
1542	1785
1633	1890
1723	1995
1814	2100
1905	2205
1995	2310
2086	2415
2177	2520
2268	2625
2358	2730
2449	2835

Output (Watts)	
$\Delta T50$	$\Delta T56$
419	486
524	608
629	729
734	851
838	972
943	1094
1048	1215
1153	1337
1258	1458
1362	1580
1467	1701
1572	1823
1677	1944
1782	2066
1886	2187
1991	2309
2096	2430
2201	2552
2306	2673
2410	2795
2515	2916
2620	3038
2725	3159
2830	3281

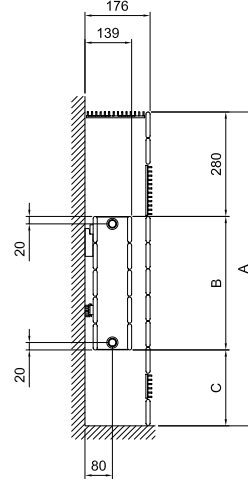
Output (Watts)	
$\Delta T50$	$\Delta T56$
476	552
595	690
714	827
833	965
952	1103
1071	1241
1190	1379
1309	1517
1428	1655
1547	1793
1666	1931
1785	2069
1904	2206
2023	2344
2142	2482
2261	2620
2380	2758
2499	2896
2618	3034
2737	3172
2856	3310
2975	3448
3094	3585
3213	3723

Extended Range LST's

Style LC4B

Style LC4B - General Description

- T.T.C STYLE 4 WITH A H22s EMITTER
- TOP OUTLET GRILLE
- TOP FRONT FACING GRILLE (140MM)
- BOTTOM FRONT FACING GRILLE (70MM)



Cover 'A' (mm)	630	700	770
Emitter 'B' (mm)	143	215	288
Clearance 'C' (mm)	207	205	202

Lengths (mm)	
LST Case	Emitter
700	400
800	500
900	600
1000	700
1100	800
1200	900
1300	1000
1400	1100
1500	1200
1600	1300
1700	1400
1800	1500
1900	1600
2000	1700
2100	1800
2200	1900
2300	2000
2400	2100
2500	2200
2600	2300
2700	2400
2800	2500
2900	2600
3000	2700

Output (Watts)	
$\Delta T50$	$\Delta T56$
261	302
327	378
392	454
457	529
522	605
588	680
653	756
718	832
784	907
849	983
914	1058
980	1134
1045	1210
1110	1285
1175	1361
1241	1436
1306	1512
1371	1588
1437	1663
1502	1739
1567	1814
1633	1890
1698	1966
1763	2041

Output (Watts)	
$\Delta T50$	$\Delta T56$
340	394
426	493
511	592
596	690
681	789
766	887
851	986
936	1085
1021	1183
1106	1282
1191	1380
1277	1479
1362	1578
1447	1676
1532	1775
1617	1873
1702	1972
1787	2071
1872	2169
1957	2268
2042	2366
2128	2465
2213	2564
2298	2662

Output (Watts)	
$\Delta T50$	$\Delta T56$
413	478
516	598
619	718
722	837
826	957
929	1076
1032	1196
1135	1316
1238	1435
1342	1555
1445	1674
1548	1794
1651	1914
1754	2033
1858	2153
1961	2272
2064	2392
2167	2512
2270	2631
2374	2751
2477	2870
2580	2990
2683	3110
2786	3229

Extended Range LST's

Style LC4B

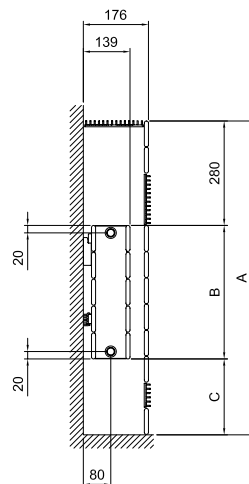
Style LC4B - General Description

T.T.C STYLE 4 WITH A H22s EMITTER

TOP OUTLET GRILLE

TOP FRONT FACING GRILLE (140MM)

BOTTOM FRONT FACING GRILLE (70MM)



Cover 'A' (mm)	840	910	980
Emitter 'B' (mm)	360	433	505
Clearance 'C' (mm)	200	197	195

Lengths (mm)	
LST Case	Emitter
700	400
800	500
900	600
1000	700
1100	800
1200	900
1300	1000
1400	1100
1500	1200
1600	1300
1700	1400
1800	1500
1900	1600
2000	1700
2100	1800
2200	1900
2300	2000
2400	2100
2500	2200
2600	2300
2700	2400
2800	2500
2900	2600
3000	2700

Output (Watts)	
$\Delta T50$	$\Delta T56$
482	558
603	698
723	838
844	977
964	1117
1085	1256
1205	1396
1326	1536
1446	1675
1567	1815
1687	1954
1808	2094
1928	2234
2049	2373
2169	2513
2290	2652
2410	2792
2531	2932
2651	3071
2772	3211
2892	3350
3013	3490
3133	3630
3254	3769

Output (Watts)	
$\Delta T50$	$\Delta T56$
549	756
686	945
823	1134
960	1323
1098	1512
1235	1701
1372	1890
1509	2079
1646	2268
1784	2457
1921	2646
2058	2835
2195	3024
2332	3213
2470	3402
2607	3591
2744	3780
2881	3969
3018	4158
3156	4347
3293	4536
3430	4725
3567	4914
3704	5103

Output (Watts)	
$\Delta T50$	$\Delta T56$
614	712
768	890
922	1068
1075	1246
1229	1424
1382	1602
1536	1780
1690	1958
1843	2136
1997	2314
2150	2492
2304	2670
2458	2848
2611	3026
2765	3204
2918	3382
3072	3560
3226	3738
3379	3916
3533	4094
3686	4272
3840	4450
3994	4628
4147	4806

Extended Range LST's

Style LC4C

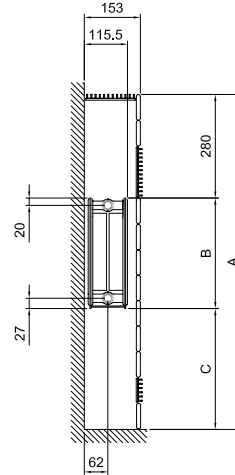
Style LC4C - General Description

T.T.C STYLE 4 WITH A Q22 EMITTER

TOP OUTLET GRILLE

TOP FRONT FACING GRILLE (140MM)

BOTTOM FRONT FACING GRILLE (70MM)



Cover 'A' (mm)	700	770	840
Emitter 'B' (mm)	300	300	400
Clearance 'C' (mm)	120	190	160

Lengths (mm)	
LST Case	Emitter
700	400
800	500
900	600
1000	700
1100	800
1200	900
1300	1000
1400	1100
1500	1200
1600	1300
1700	1400
1800	1500
1900	1600
2000	1700
2100	1800
2200	1900
2300	2000
2400	2100
2500	2200
2600	2300
2700	2400
2800	2500
2900	2600
3000	2700

Output (Watts)	
$\Delta T50$	$\Delta T56$
438	508
548	635
658	762
767	889
877	1016
986	1143
1096	1270
1206	1397
1315	1524
1425	1651
1534	1778
1644	1905
1754	2032
1863	2159
1973	2286
2082	2413
2192	2540
2302	2667
2411	2794
2521	2921
2630	3048
2740	3175
2850	3302
2959	3429

Output (Watts)	
$\Delta T50$	$\Delta T56$
438	508
548	635
658	762
767	889
877	1016
986	1143
1096	1270
1206	1397
1315	1524
1425	1651
1534	1778
1644	1905
1754	2032
1863	2159
1973	2286
2082	2413
2192	2540
2302	2667
2411	2794
2521	2921
2630	3048
2740	3175
2850	3302
2959	3429

Output (Watts)	
$\Delta T50$	$\Delta T56$
553	640
691	801
829	961
967	1121
1106	1281
1244	1441
1382	1601
1520	1761
1658	1921
1797	2081
1935	2241
2073	2402
2211	2562
2349	2722
2488	2882
2626	3042
2764	3202
2902	3362
3040	3522
3179	3682
3317	3842
3455	4003
3593	4163
3731	4323

Extended Range LST's

Style LC4C

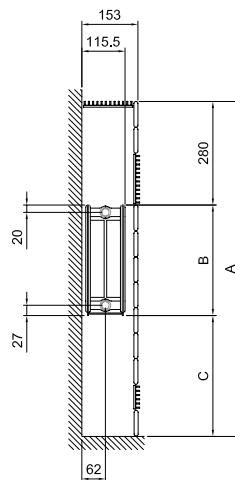
Style LC4C - General Description

T.T.C STYLE 4 WITH A Q22 EMITTER

TOP OUTLET GRILLE

TOP FRONT FACING GRILLE (140MM)

BOTTOM FRONT FACING GRILLE (70MM)



Cover 'A' (mm)
Emitter 'B' (mm)
Clearance 'C' (mm)

910
500
130

980
600
100

Lengths (mm)	
LST Case	Emitter
700	400
800	500
900	600
1000	700
1100	800
1200	900
1300	1000
1400	1100
1500	1200
1600	1300
1700	1400
1800	1500
1900	1600
2000	1700
2100	1800
2200	1900
2300	2000
2400	2100
2500	2200
2600	2300
2700	2400
2800	2500
2900	2600
3000	2700

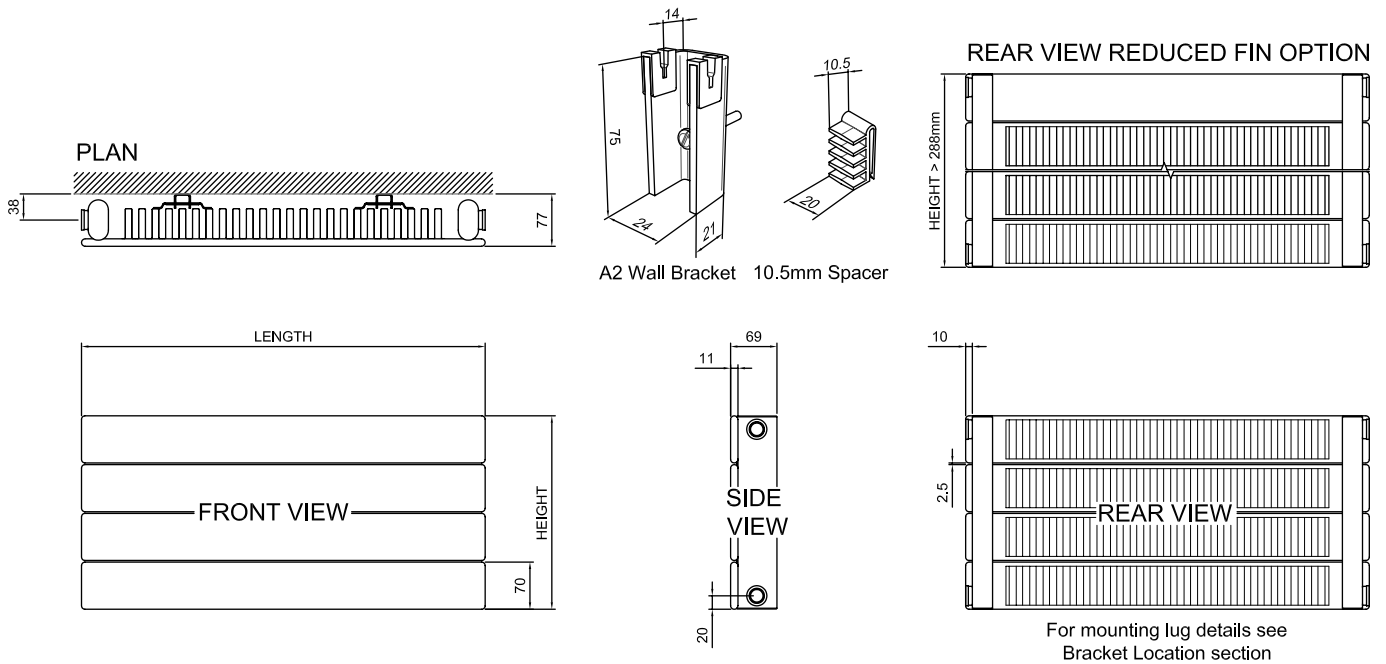
Output (Watts)	
ΔT50	ΔT56
661	766
826	958
991	1149
1156	1341
1322	1532
1487	1724
1652	1915
1817	2107
1982	2298
2148	2490
2313	2681
2478	2873
2643	3064
2808	3256
2974	3447
3139	3639
3304	3830
3469	4022
3634	4213
3800	4405
3965	4596
4130	4788
4295	4979
4460	5171

Output (Watts)	
ΔT50	ΔT56
764	885
955	1107
1146	1328
1337	1549
1528	1770
1719	1992
1910	2213
2101	2434
2292	2656
2483	2877
2674	3098
2865	3320
3056	3541
3247	3762
3438	3983
3629	4205
3820	4426
4011	4647
4202	4869
4393	5090
4584	5311
4775	5533
4966	5754
5157	5975

Applications

Type H11 - Standard model shown with 1/2" (15mm) ABCD connections

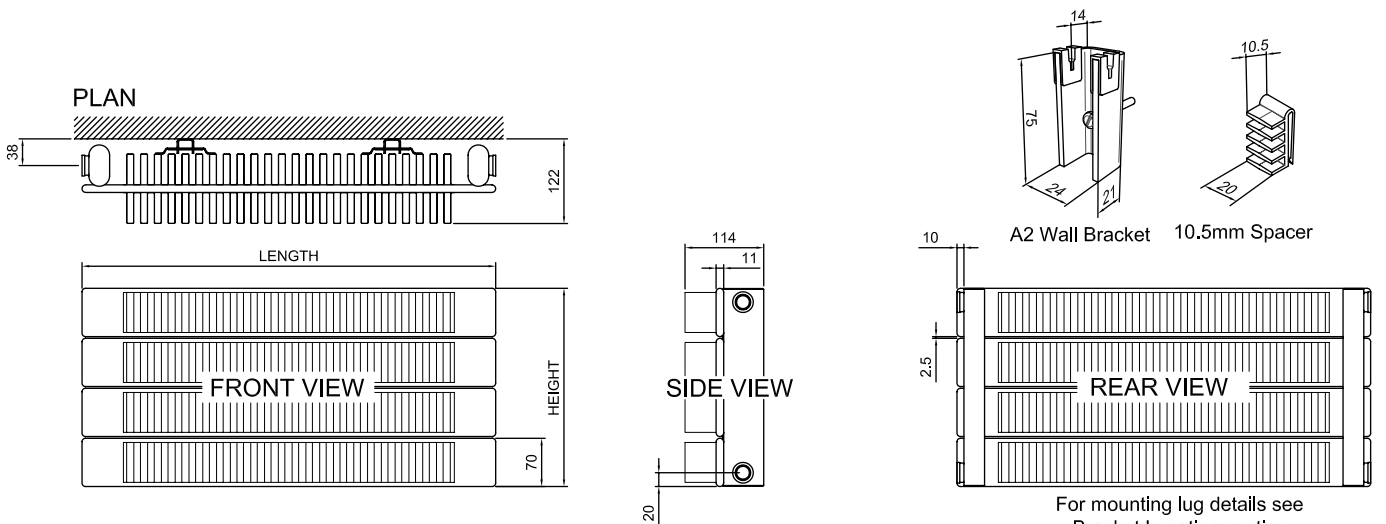
Length, available from 300 mm to 3400 mm in increments of 100mm.
 Height, available from 143 mm to 868mm in increments of 72.5mm.



Type H12 - Standard model shown with 1/2" (15mm) ABCD connections

The Extended Range

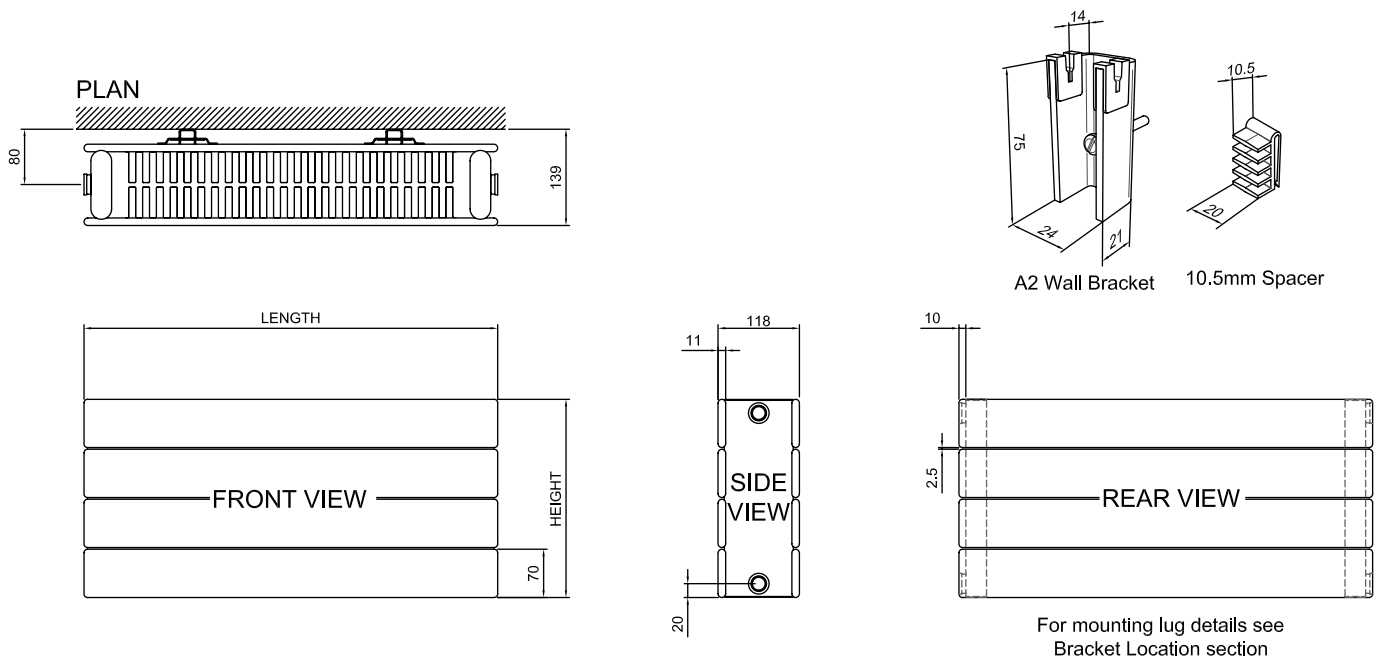
Length, available from 300 mm to 3400 mm in increments of 100mm.
 Height, available from 143 mm to 868mm in increments of 72.5mm.



Applications

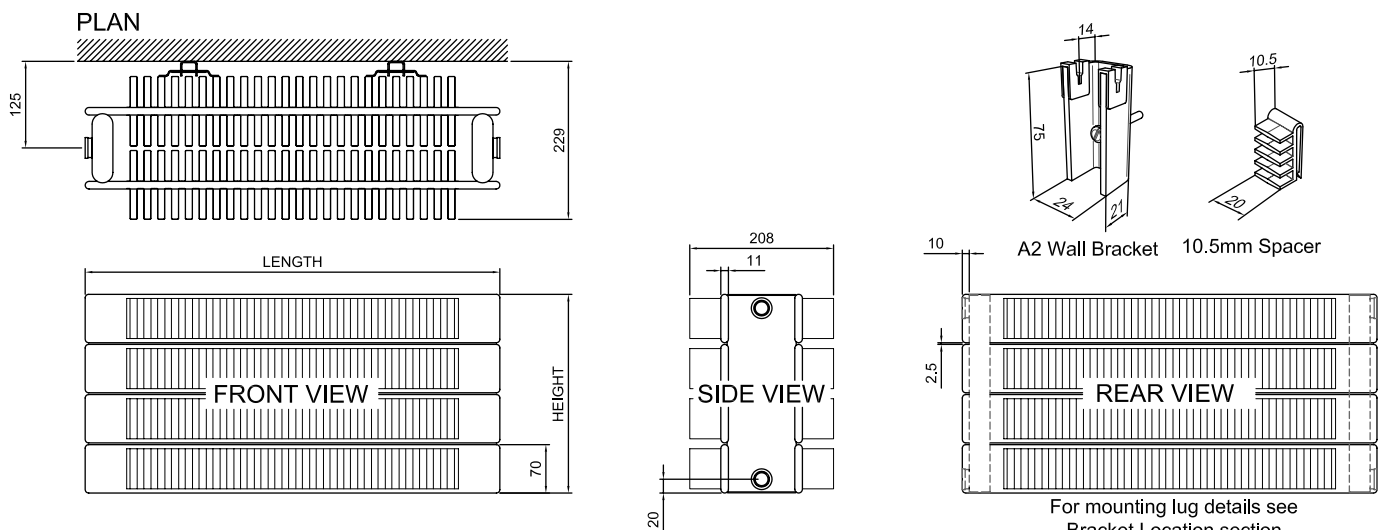
Type H22S - Standard model shown with 1/2" (15mm) ABCD connections

Length, available from 300 mm to 3400 mm in increments of 100mm.
 Height, available from 143 mm to 868mm in increments of 72.5mm.



Type H24 - Standard model shown with 1/2" (15mm) ABCD connections

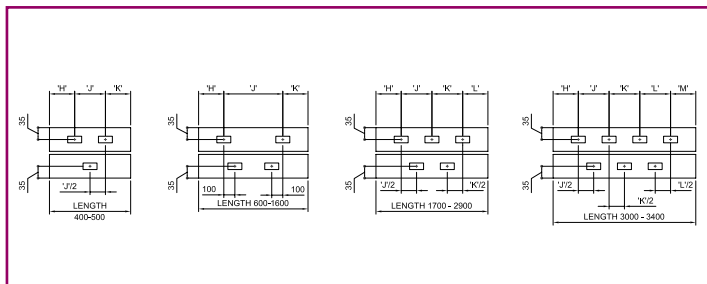
Length, available from 300 mm to 3400 mm in increments of 100mm.
 Height, available from 143 mm to 868mm in increments of 72.5mm.



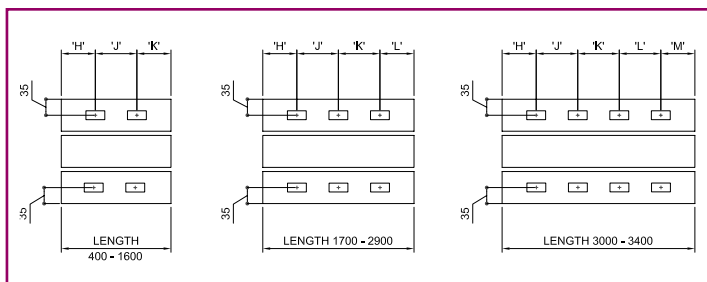
Applications Bracket Locations

Support positions 400mm - 3400mm long for all horizontal panels

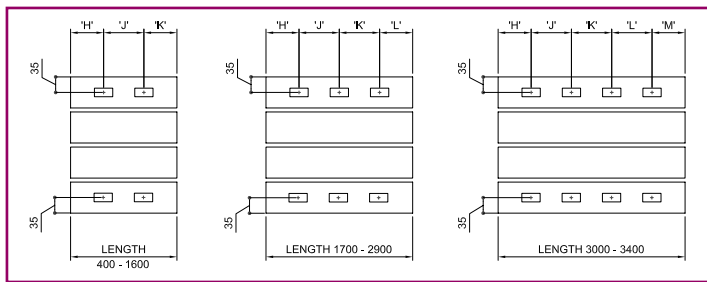
143mm High Horizontal Panels Radiators



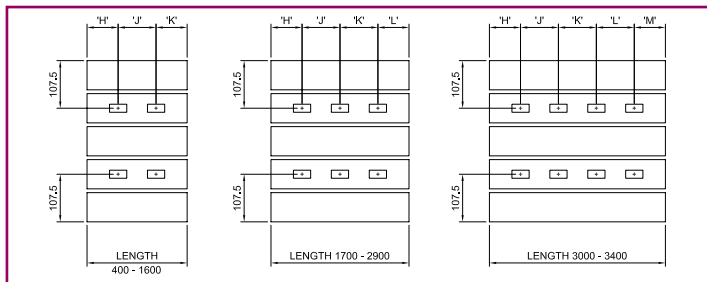
215mm High Horizontal Panels Radiators



288mm High Horizontal Panels Radiators



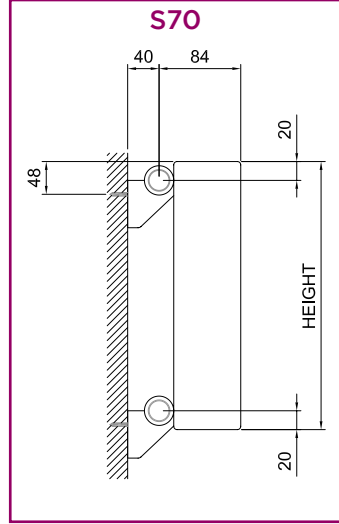
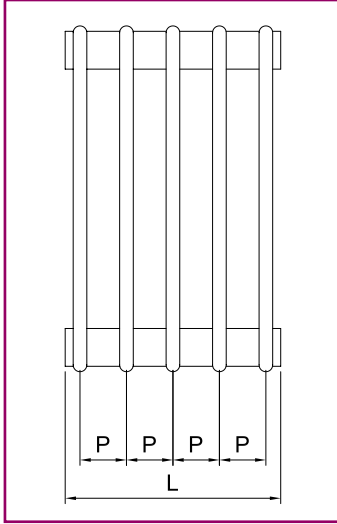
360mm - 868mm High Horizontal Panels Radiators



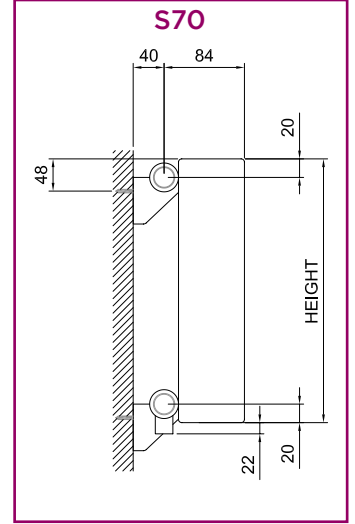
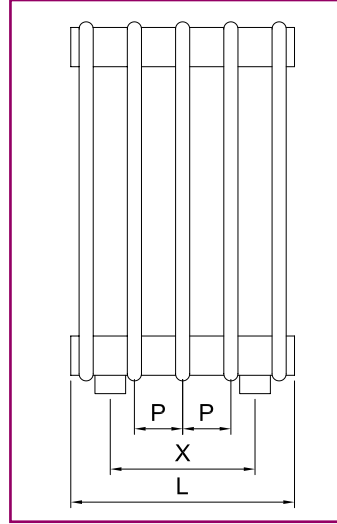
Length	H'	J'	K'	L'	M'
400	130	140	130	-	-
500	140	220	140	-	-
600	150	300	150	-	-
700	150	400	150	-	-
800	140	520	140	-	-
900	150	600	150	-	-
1000	140	720	140	-	-
1100	150	800	150	-	-
1200	150	900	150	-	-
1300	140	1020	140	-	-
1400	150	1100	150	-	-
1500	150	1200	150	-	-
1600	140	1320	140	-	-
1700	150	700	700	150	-
1800	150	720	780	150	-
1900	150	800	800	150	-
2000	150	820	880	150	-
2100	140	900	920	140	-
2200	150	920	980	150	-
2300	150	1000	1000	150	-
2400	140	1060	1060	140	-
2500	150	1100	1100	150	-
2600	150	1120	1180	150	-
2700	140	1200	1220	140	-
2800	150	1220	1280	150	-
2900	140	1300	1320	140	-
3000	150	900	900	900	150
3100	150	920	960	920	150
3200	140	980	960	980	140
3300	150	1000	1000	1000	150
3400	150	1040	1020	1040	150

Applications

ABCD Connections



EFGH Connections



Support positions over length range - For all column radiators:

For All Column Radiators

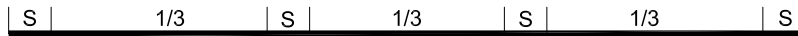
For Lengths 300mm-1000mm



For Lengths 1001mm-2000mm

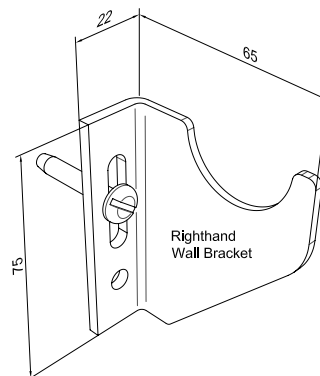
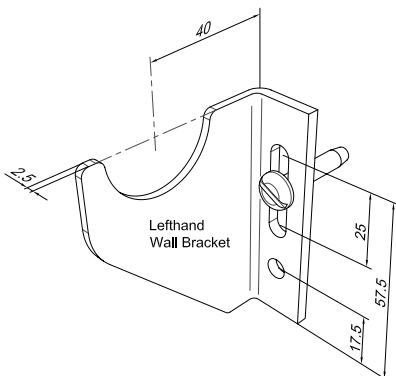


For Lengths 2001mm-3000mm



Brackets

All Merriott Radiators column radiators are supplied as standard with wall-mounting brackets. Lefthand and Righthand brackets (see illustration) are used for mounting the S70.

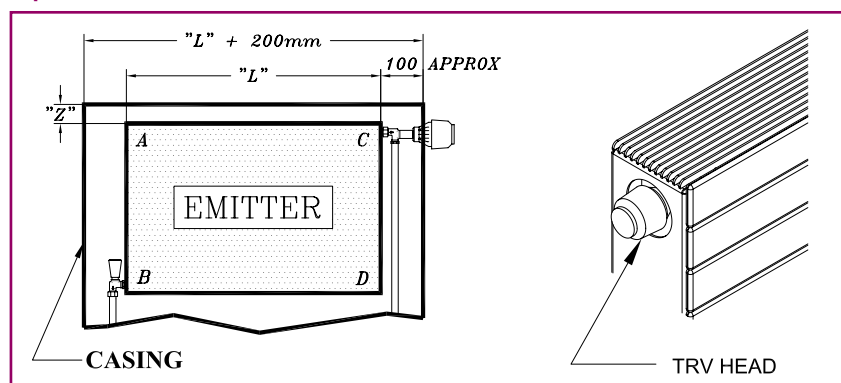


All dimensions are in millimetres

Valve Option Features

Merriott Radiators has a number of Thermostatic Radiator Valve (TRV) options and features available. For each valve option the valve make and model is required, the handings for the TRVs (left or right side of the LST casing) may also be required depending on the valve option selected. There are additional features such as access-doors (AKA Cat-Flaps) and Hinged Top Grilles are available, these may help accomplish your job requirements. If however, you are unsure as to which additional feature might suit your required LST application. Please contact Merriott Radiators.

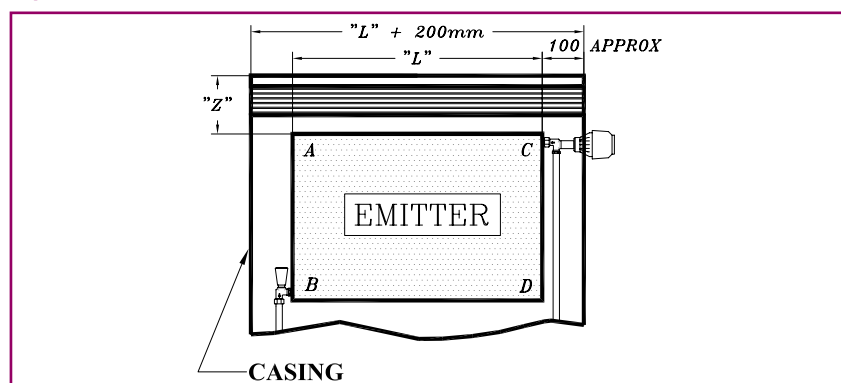
Option: T1



Option: T1

Is available on styles 2 & 4
The TRV head protrudes through a knock-out or punched hole (Cutout) in the endbox. Radiator connected TBOE, left or right handings. (All TRVs by others)

Option: T2

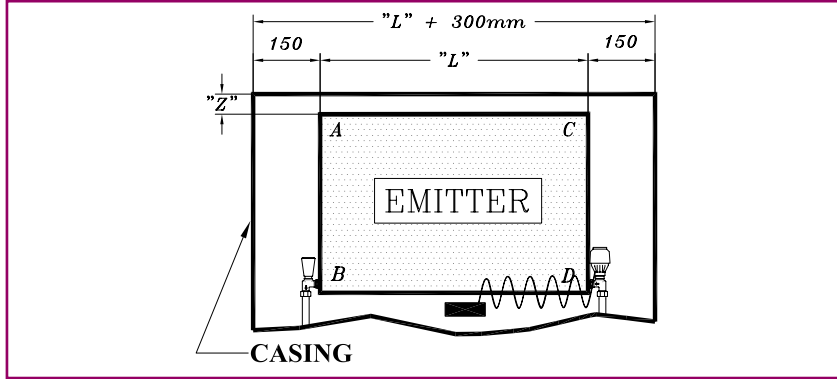


Option: T2

Is available on styles 6 & 8
The TRV head protrudes through a knock-out or punched hole (cutout) in the endbox. Radiator connected TBOE, left or right handings. (All TRVs by others)

Valve Option Features

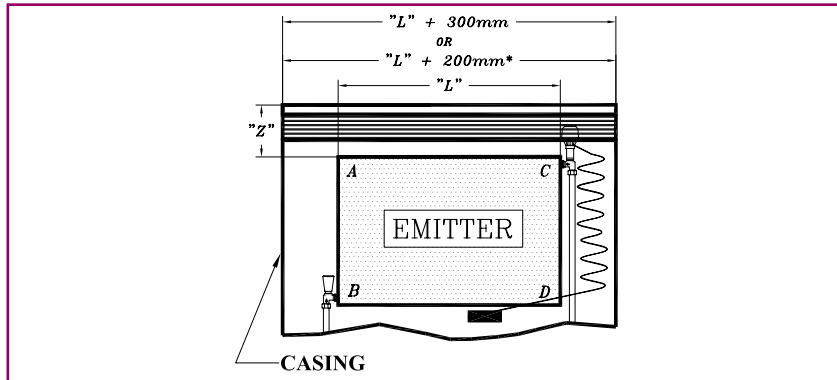
Option: T3



Option: T3

Is available on styles 2 & 4
 Remote capillary sensor TRV. Access via top grille removal, hinged top grille or cat-flap in side plate
 Radiator connected TBOE, left or right handings.
 (All TRVs by others)

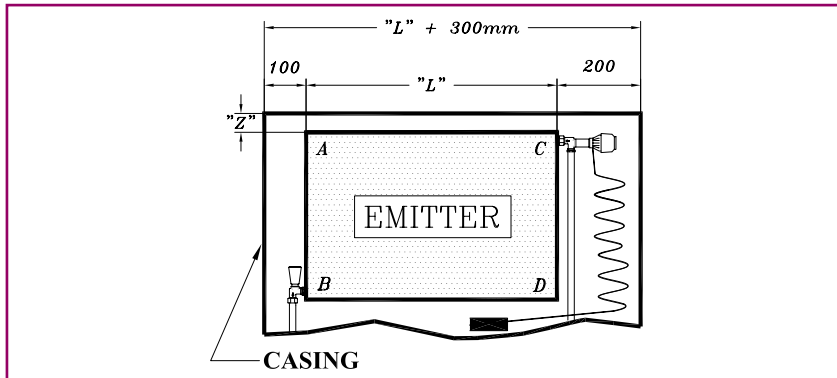
Option: T4



Option: T4

Is available on styles 6 & 8
 Remote capillary sensor TRV. Access via top front grille removal or via cat-flap in side plate.
 Radiator connected TBOE, left or right handings.
 (All TRVs by others)

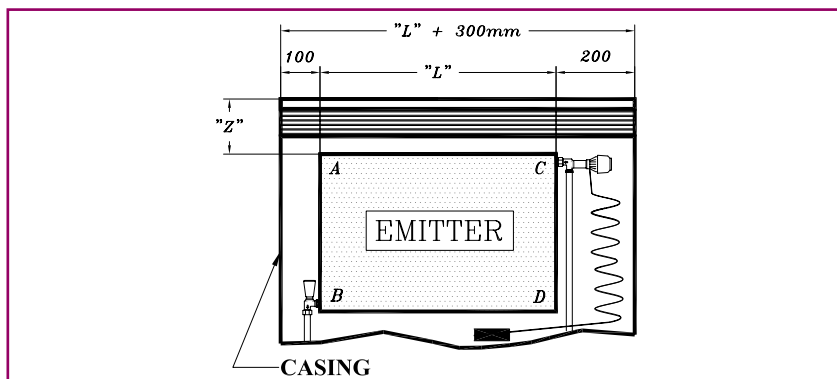
Option: T5



Option: T5

Is available on styles 2 & 4
 Remote capillary sensor TRV. Access via hinged top grille or cat-flap in side plate.
 Radiator connected TBOE, left or right handings.
 (All TRVs by others)

Option: T6

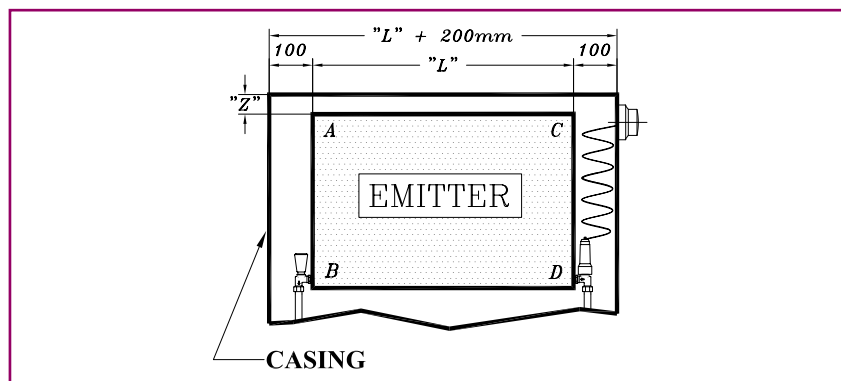


Option: T6

Is available on styles 6 & 8
 Remote capillary sensor TRV. Access via top front grille removal or cat-flap in side plate.
 Radiator connected TBOE, left or right handings.
 (All TRVs by others)

Valve Option Features

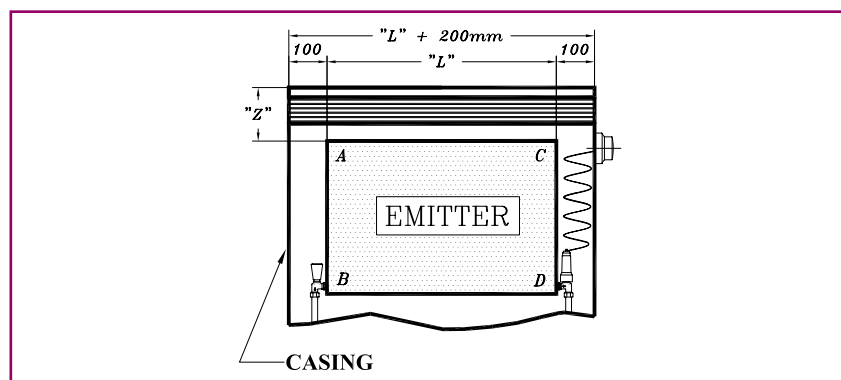
Option: T7



Option: T7

Is available on styles 2 & 4
 Remote capillary TRV sensor/adjuster is fixed to left or right of LST casing.
 Radiator connected BOE.
 (All TRVs by others)

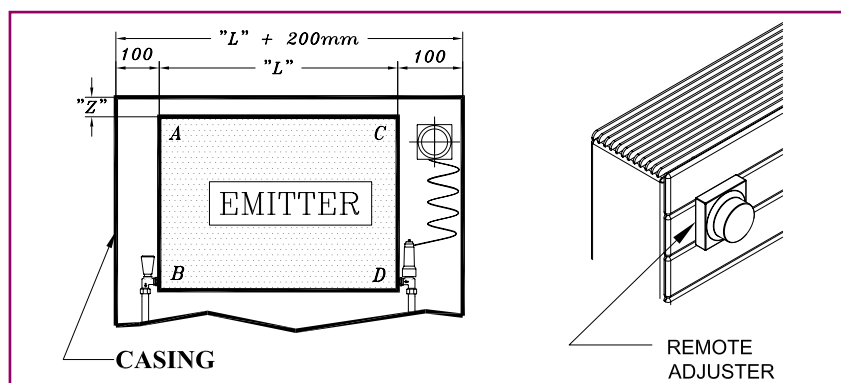
Option: T8



Option: T8

Is available on styles 6 & 8
 Remote capillary TRV sensor/adjuster is fixed to left or right of LST casing.
 Radiator connected BOE.
 (All TRVs by others)

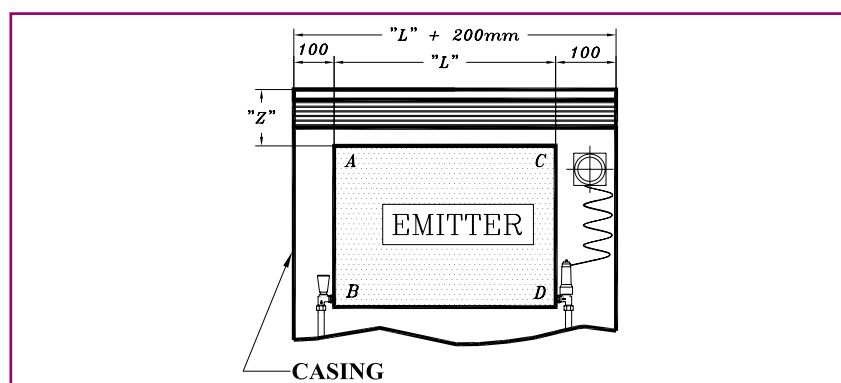
Option: T9



Option: T9

Is available on styles 2 & 4
 Remote capillary TRV sensor/adjuster is fixed to the front of the LST casing.
 Radiator connected TBOE, left or right handings.
 (All TRVs by others)

Option: T10



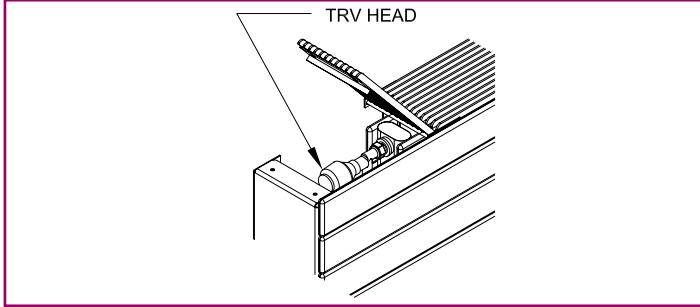
Option: T10

Is available on styles 6 & 8
 Remote/adjuster capillary TRV, fixed to the front of the LST casing.
 Radiator connected TBOE, left or right handings.
 (All TRVs by others)

Valve Option Features

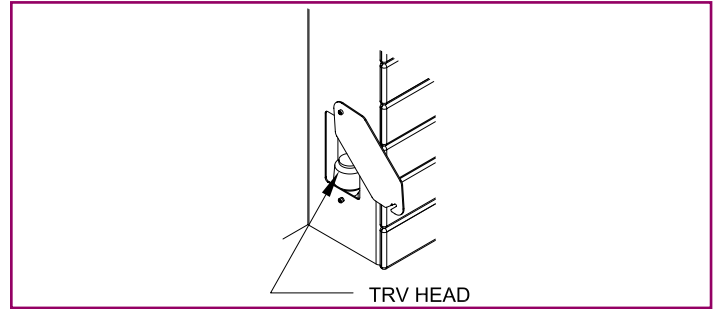
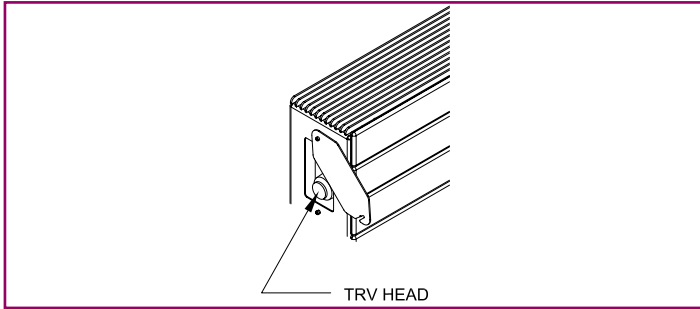
Additional features

Hinged Top Grille:



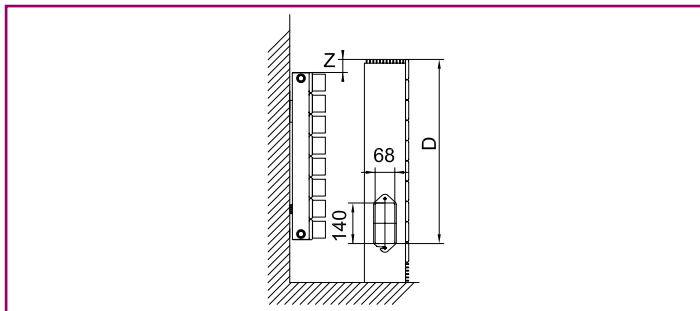
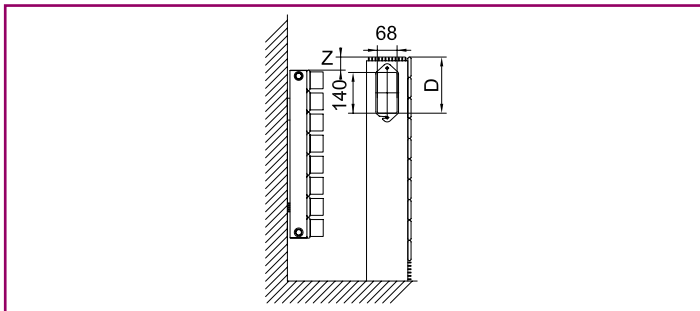
The hinged top grille is available on styles 2 & 4
 With valve option: T5
 This provides ideal access to the TRV head which is enclosed within the LST casing
 The Access-Door (Cat-Flap) is not lockable.

Access-Door (Cat-Flap)

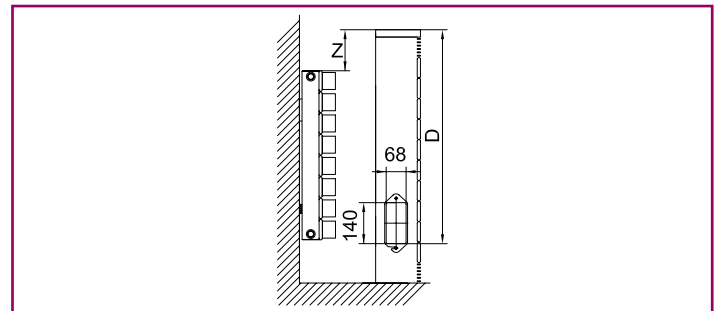
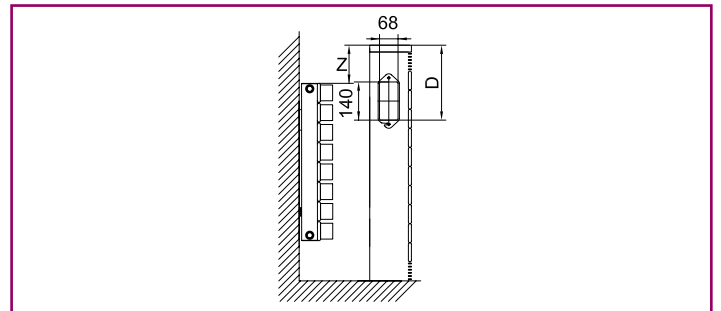


The access-door is available on all styles.
 This is a useful option when valve options T3, T4, T5 or T6 have been selected.
 This provides ideal access to the TRV head which is enclosed within the LST casing

Access-Door @ Top Styles: 2 & 4

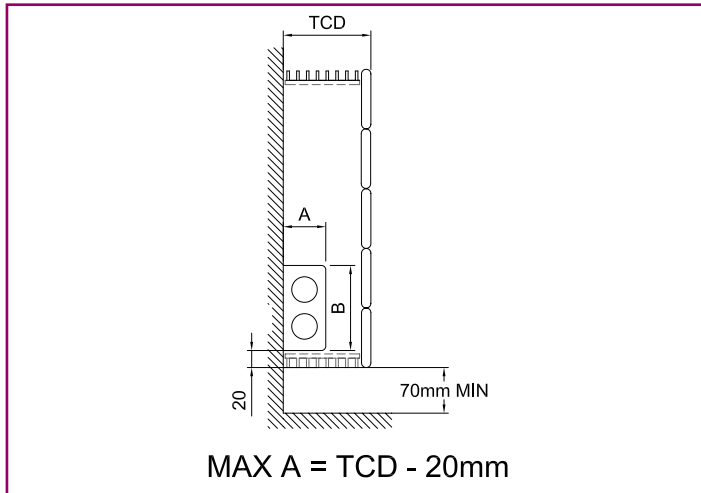


Access-Door @ Top Styles: 6 & 8

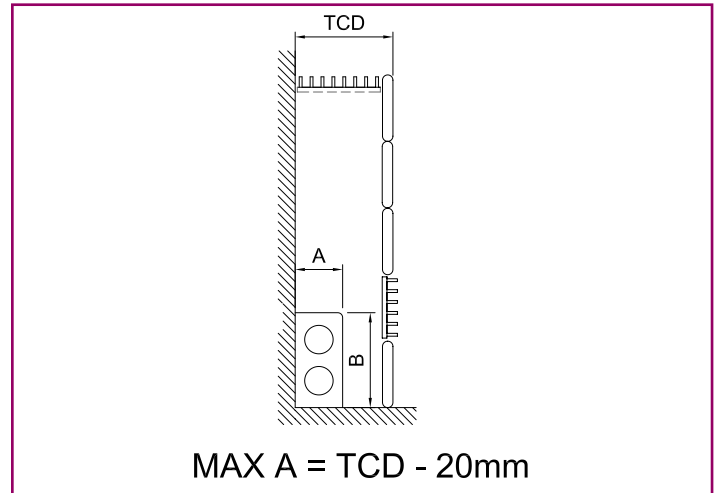


Pipework Cutout Options

There is "BOX" pipework cutouts available. See below for details



Box Pipework Cutout
 For Styles 2 & 6
 "TCD" = Total Case Depth (mm)



Box Pipework Cutout
 For Styles 4 & 8
 "TCD" = Total Case Depth (mm)

How to Order

Merriott Radiators Ireland

Derrylin, Co. Fermanagh, Northern Ireland, BT92 9AU

For contact numbers please see below.

Email : sales@merriott-radiators.com

Web : www.merriott-radiators.com

Manufacturing Facility Newport

Merriott Radiators, Imperial Park, Newport, Gwent NP10 8ZY

Tel : +44 (0) 1633 657 000

Fax : +44 (0) 1633 657 084

Irish Enquires

Quotes:

Tel : +44 (0) 28 6774 2606

Fax: +353 (0) 49 9525231

Orders:

Tel : +44 (0) 28 6774 2535

Fax: +353 (0) 49 9525231

UK Enquires

Quotes:

Tel : +44 (0) 28 6774 2549

Fax: +44 (0) 28 6774 8107

Orders:

Tel : +44 (0) 28 6774 2503

Fax: +44 (0) 28 6774 8107

Merriott Radiators Ireland

Derrylin, Co. Fermanagh, Northern Ireland, BT92 9AU

For contact numbers please see below.

Email : sales@merriott-radiators.com

Web : www.merriott-radiators.com

Manufacturing Facility Newport

Merriott Radiators, Imperial Park, Newport, Gwent NP10 8ZY

Tel : +44 (0) 1633 657 000

Fax : +44 (0) 1633 657 084

Irish Enquires

Quotes:

Tel : +44 (0) 28 6774 2606

Fax: +353 (0) 49 9525231

Orders:

Tel : +44 (0) 28 6774 2535

Fax: +353 (0) 49 9525231

UK Enquires

Quotes:

Tel : +44 (0) 28 6774 2549

Fax: +44 (0) 28 6774 8107

Orders:

Tel : +44 (0) 28 6774 2503

Fax: +44 (0) 28 6774 8107