

# C2 R Security Portal

**DIMENSIONS**

External Diameter: 1151mm  
 Internal Diameter: 995mm  
 Entrance Width: 700mm  
 Internal Height: 2030mm  
 External Height: 2325mm (R)

Typical Weight Guideline: 410-660kg

**VERSION AVAILABLE**

S: Standard version with 70mm base  
 K: Kit version  
 R: Flush mounted to the floor  
 KR: Kit and Flush to the floor

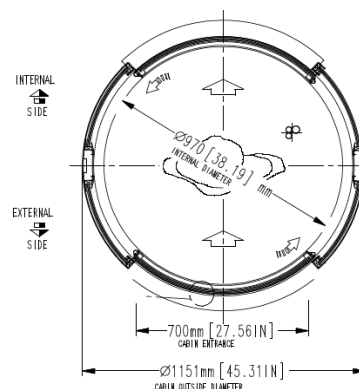
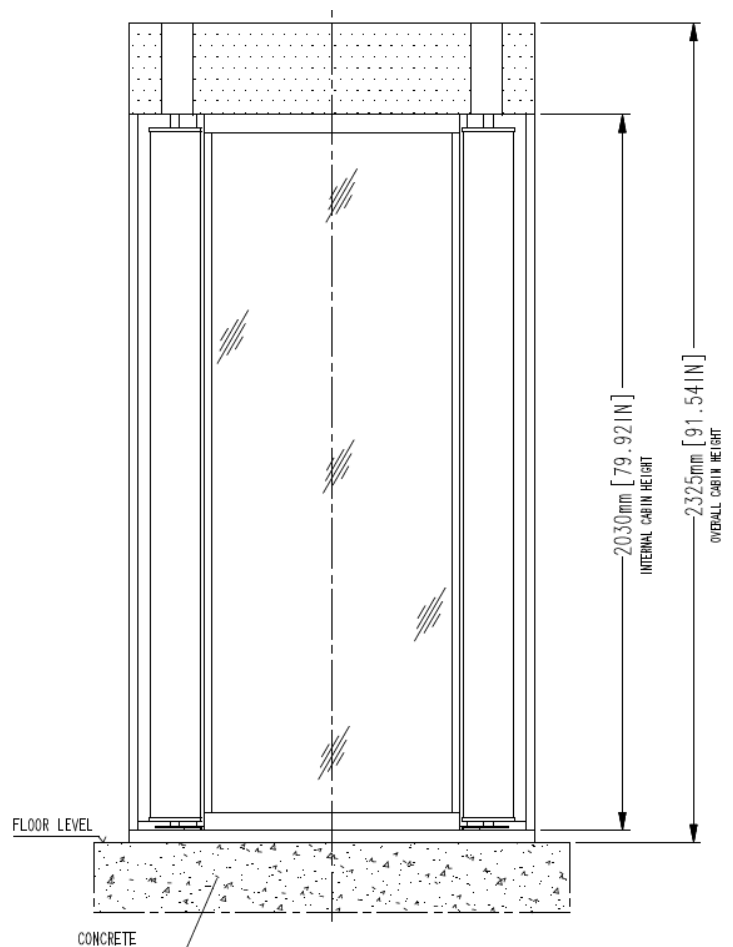
**POWER SUPPLY**

Input: 110 / 230 VAC  
 (EMI Filter included)  
 Output: 24 Vdc, 5 A/hour  
 Average Power consumption: 35 watt  
 (per hour of continuous operation)  
 Max Power consumption: 150 watt  
 Emergency Battery Back-up: 6-8 hours

Metallic Structure: Steel 30 / 10

**MOTORS**

Reversible motors with permanent magnet, working power of 24 Vdc, provided with an encoder for the continuous control of the door position. Doors are provided with electronic control of motor torque for door safety stop in presence of an obstacle.



# Features

- Standard Feature    ○ Cost Option    - Not Available

## VERSIONS AVAILABLE

- S Version with 70mm base (Ext. Height: 2360mm)
- S Version with 18mm base (Ext. Height: 2360mm)
- K Version with 70mm base (Ext. Height: 2360mm)
- R Version with 18mm base (Ext. Height: 2325mm)
- KR Version with 18mm base (Ext. Height: 2325mm)
- Extended Height Version
- Extended Width Version

## SAFETY FEATURES

- Anti slip floor mat
- Emergency unlocking device
- Fail Secure
- Manual Panic break out opening
- IR safety sensors
- Internal LED light
- Fire alarm signal

## SECURITY RATINGS

- FB2/NS EN 1522 Top Canopy
- FB4/NS EN 1522 Metal Structure
- Attack Resistant Class 3 EN 1627-30:2000
- Attack Resistant Class 4 EN 1627-30:2000

## GLASS OPTIONS

- Vandal Resistant glass P2A- EN356, 11 mm
- Vandal Resistant glass P4A- EN356, 14mm
- Vandal Resistant glass P6B-EN356/ Bullet Resistant glass BR3-EN1063, 27mm
- Vandal Resistant glass P7B-EN356/ Bullet Resistant glass BR4-EN 1063, 31mm

## CONTROL

- Service Mode Keyswitch or Console
- Additional Control Panel
- Additional Control Panel with Display
- Emergency Exit Control Panel
- 4" TFT monitor for Control Panel
- Night Lock

## OUTER FINISHING

- RAL Embossed Effect
- RAL Smooth Effect
- RAL Micaceous Effect
- Polished/Brushed Stainless Steel
- Polished/Brushed Brass
- Wood
- Marble

## DETECTION DEVICES

- Infrared presence sensors
- APD - Anti Piggybacking Device
- Metal detection control
- Pressure Mat
- 2 Zone Pressure Mat

## PUSH BUTTON, SIGNALS & REMOTE ACCESS

- Intercom (included in the traffic light)
- LED Traffic lights
- Web Lan Control

## EMERGENCY EXIT OPTIONS

- Emergency lever, handle or crank
- Additional Internal Emergency Lever
- Additional External Emergency Lever

As our policy is to continually improve the products we offer, we reserve the right to amend specifications without prior notice. Further product drawings are available on request