

MagnaShade®

Small Profile. Big Solution.

Winner of Best of NeoCon® Gold, the Product Innovations Award Grand Prize, and a Record Products Award.



MagnaShade

A seamless, monolithic shading system up to 40 ft. wide (12.19m) and 20 ft. high (6.09m)—covering areas of up to 800 sq. ft. (74m²)—without the light gaps associated with multiple shade bands. It fits into a space of approximately 8 sq. in. (200mm²).

Roller-shade manufacturers have traditionally increased the diameter of the shade tube to eliminate excessive deflection when making superwide shades.

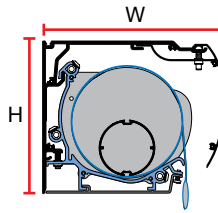
The wider the shade, the larger the shade-tube diameter and the greater the system's weight. The larger the diameter, the greater the weight, the greater the challenge for architects, designers, and installers working within building owners' space and safety constraints.

MagnaShade breaks with this tradition. Its design includes a cradle system that adds rigid support all along the shade tube without increasing its diameter. As a result, the system provides massive solar-shading or room-darkening solutions that are distinctively small in profile.

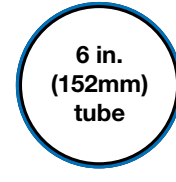
Key features:

- Shading or blackout at widths up to 40 ft. (12.19m).
- Small, rounded profile of about 6 in. (152mm).
- No tube deflection.
- Better support of the architectural-design intent.
- Simplified installation.
- Standard wiring.
- Available with a variety of shade cloths.

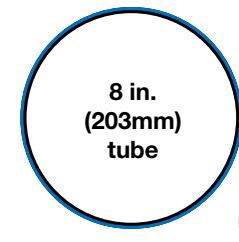
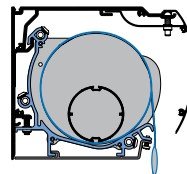
**20 ft. (6.09m)
wide shade**
MagnaShade
tube 2½ in. (63mm)
W: 6½ in. (165mm)
H: 5½ in. (140mm)



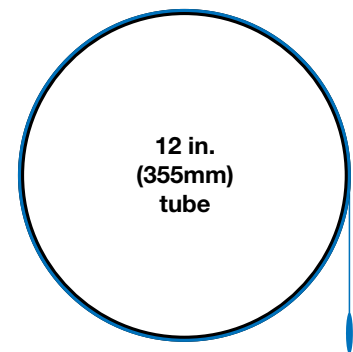
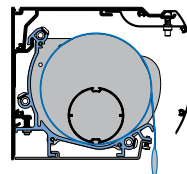
conventional solution



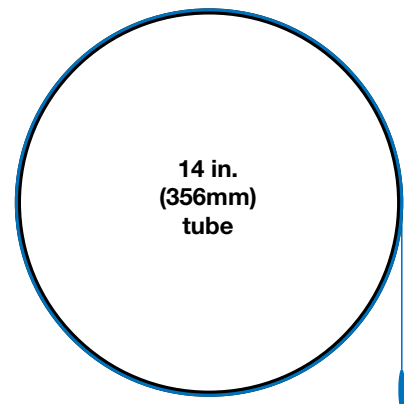
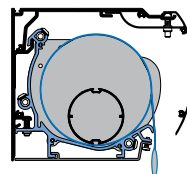
**30 ft. (9.14m)
wide shade**
MagnaShade



**35 ft. (10.67m)
wide shade**
MagnaShade



**40 ft. (12.19m)
wide shade**
MagnaShade



Components:

- Mounting angle.
- Shade tube.
- Shade cradle.
- Front and bottom fascias.

The mounting angle fastens to the ceiling or wall. Multiple attachment points across the span add support. The shade cradle holds the shade tube and keeps it centered. It hooks top-edge-first onto the mounting angle and lowers into place, taking jack screws along the bottom. Fascia conceals the cradle from the bottom and across the front.

Motorized multi-band ElectroShades® can be mounted to the MagnaShade for a solar-shading option. ElectroShade brackets affix to the mounting raceway along the bottom of the shade cradle.

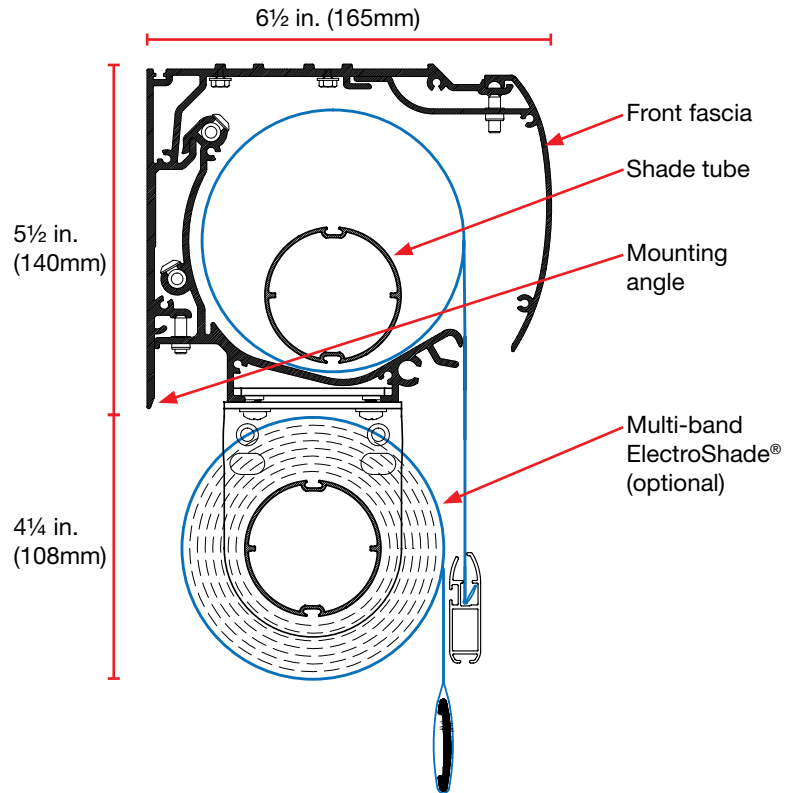
Details:

MagnaShade is up to 40 ft. (12.19m) wide with a max height of 20 ft. (6.09m), depending on the shade cloth. With 0800 Blackout shade cloth, the maximum height is 25 ft. (7.62m).

If shade cloths, other than those in the table above the photograph are requested, a full-scale mock-up for testing is required.

The system is offered in 10, 20, 30, and 40 ft. (3.04, 6.09, 9.14, and 12.19m) sections and can be pocket- or surface-mounted.

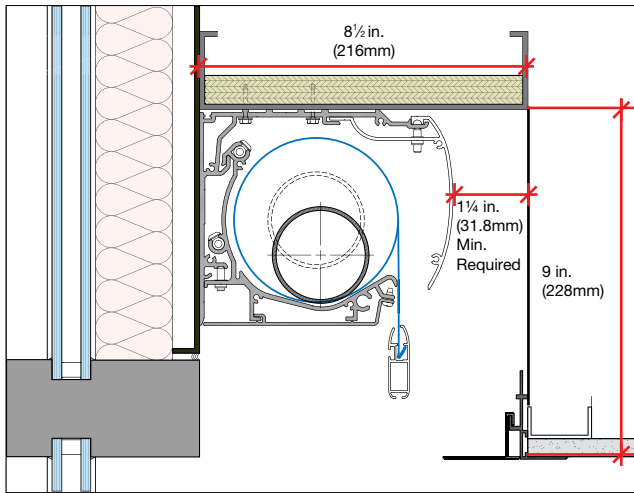
Square fascia is available on special order.



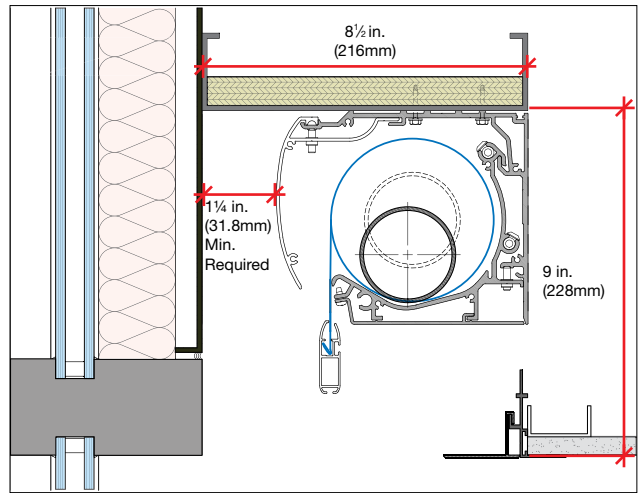
Shadecloth options	Max. width	Max. height
0800 Series	40 ft. (12.2m)	20 ft. (6.1m)
1300 Series	40 ft. (12.2m)	20 ft. (6.1m)
1500 Series	40 ft. (12.2m)	20 ft. (6.1m)



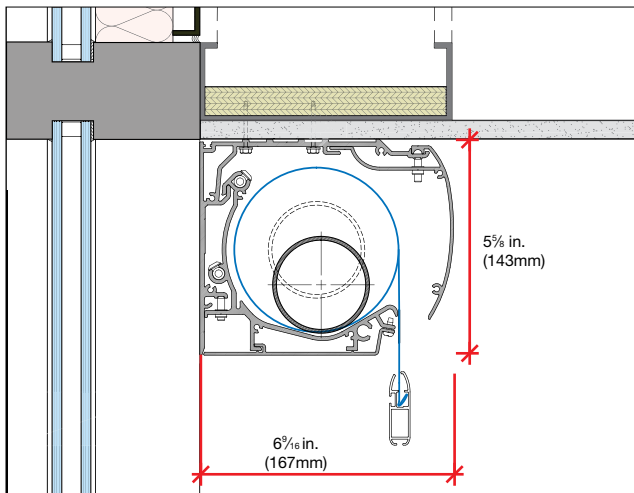
MagnaShade mounting details:



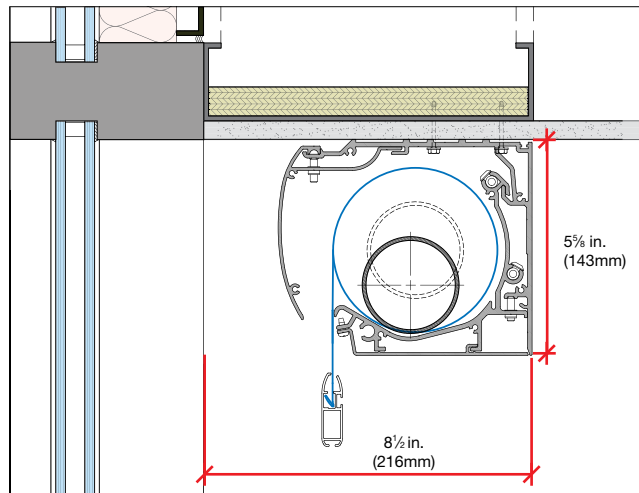
MagnaShade—Reverse roll in a pocket



MagnaShade—Regular roll in a pocket



MagnaShade—Reverse roll at window head



MagnaShade—Regular roll at window head