

# Rack Mounted Guard



## **Flexible solution to protect your racking and its contents.**

Our Rack Mounted Guard is an easy-to-install, high-strength solution to protect your racking & its contents. The polyethylene body provides strength and durability to absorb impacts and is flexible to suit a variety of racking sizes. Just wrap the velcro straps around the racking leg and you're done.

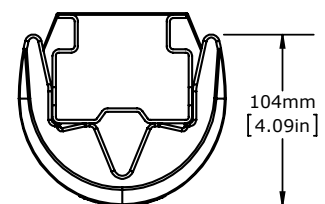
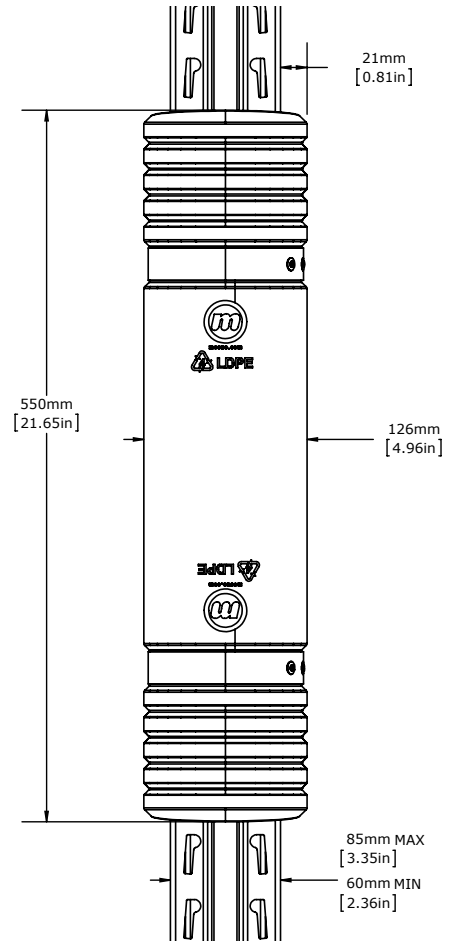
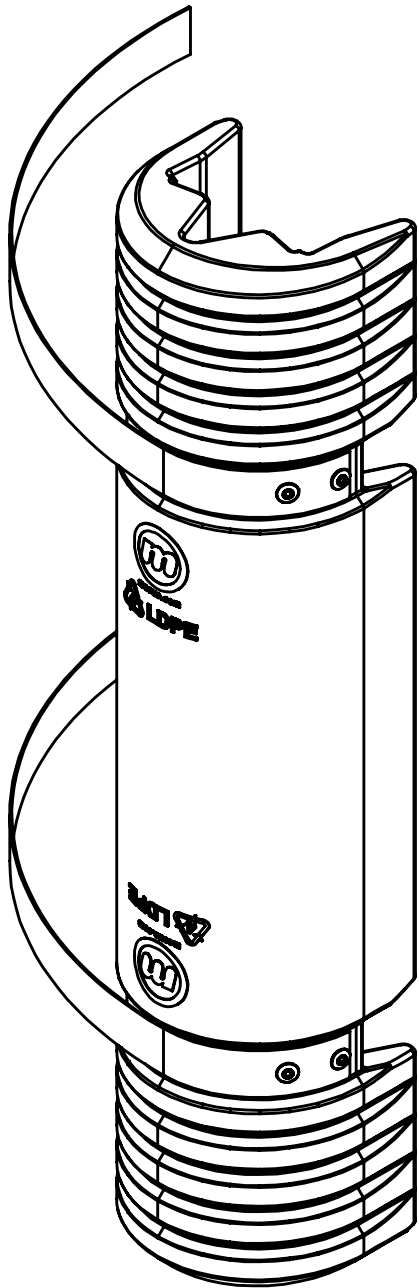
**Energy Absorbing Design** Polyethylene body flexes open to absorb impact energy

**Adjustable** Protects a variety of rack sizes from 2 $\frac{3}{8}$ " (60mm) to 3 $\frac{3}{4}$ " (85mm)

**Quick Installation** Quick and easy installation using velcro fastener straps



# Rack Mounted Guard



**Rack Mounted Guard Kit Materials:** Polyethylene body, hook & loop straps



**McCue Corporation**  
Peabody, MA 01960, USA  
+1 (800) 800 8503  
customercare@mccue.com

**McCue UK & Europe**  
Milton Keynes, United Kingdom  
+44 (0)1908 365 511  
uksales@mccue.com

**McCue Asia**  
迈客(厦门)有限公司  
Xiamen, Fujian, China  
+86-592-2200790

[mccue.com](http://mccue.com)

