

Rack End Protector



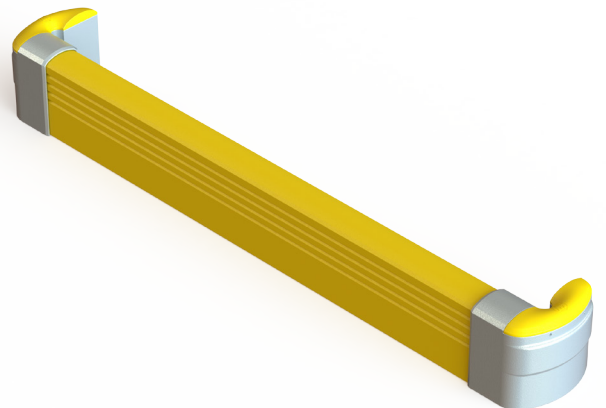
Eliminate rack repairs & increase efficiency.

With each hit, bump and scuff, our Rack End Protector diffuses impact—stopping forklifts and pallet jacks with a calculated amount of energy absorption. Sideswipes get steered back on track. We call it a controlled deflection. You'll call it peace of mind.

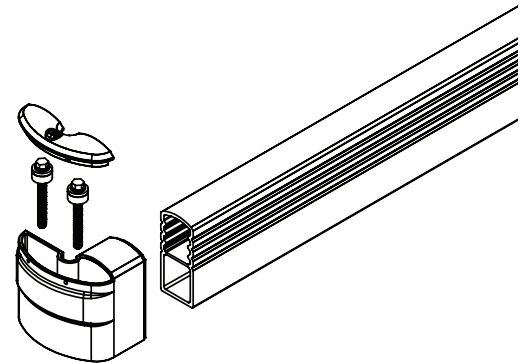
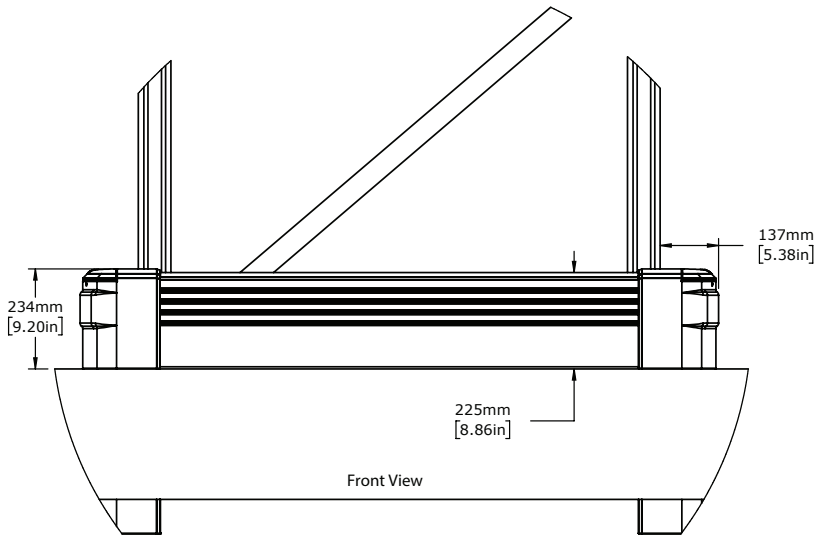
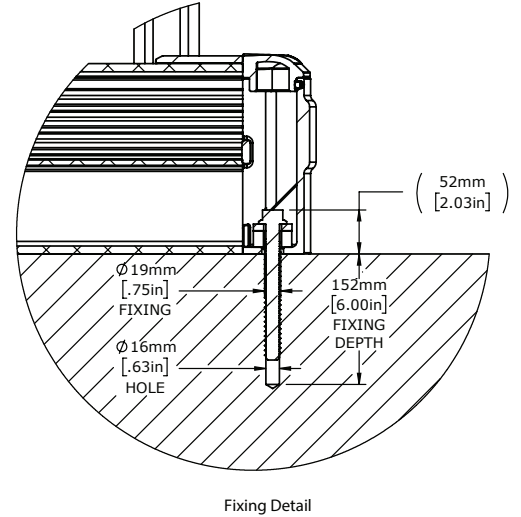
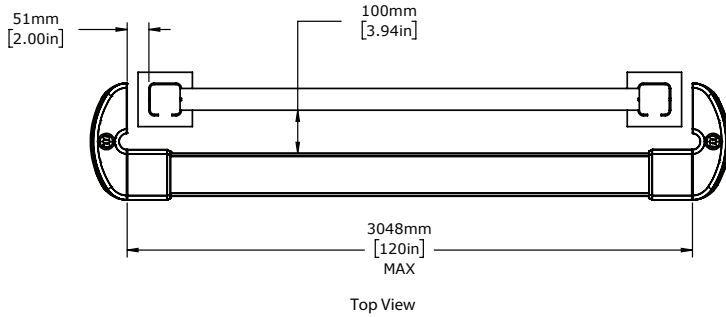
All-Angle Protection Absorbs direct impacts, deflects glancing blows

Zero Maintenance Install it once, get peace of mind for years

High Visibility Your best defense is being seen



Rack End Protector



Rack End Left Leg

Materials: Ductile Iron left leg & cap,
Rack End, rubber damper, anchor kit

Rack End Right Leg

Materials: Ductile Iron right leg & cap,
Rack End, rubber damper, anchor kit

Barrier

Material: Polyolefin, 10' (3 m) length



McCue Corporation
Peabody, MA 01960, USA
+1 (800) 800 8503
customercare@mccue.com

McCue UK & Europe
Milton Keynes, United Kingdom
+44 (0)1908 365 511
uksales@mccue.com

McCue Asia
迈客(厦门)有限公司
Xiamen, Fujian, China
+86-592-2200790

mccue.com

