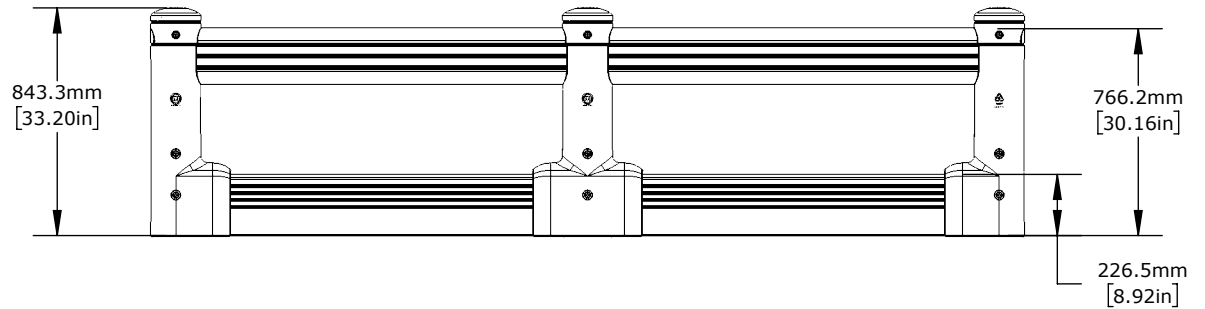
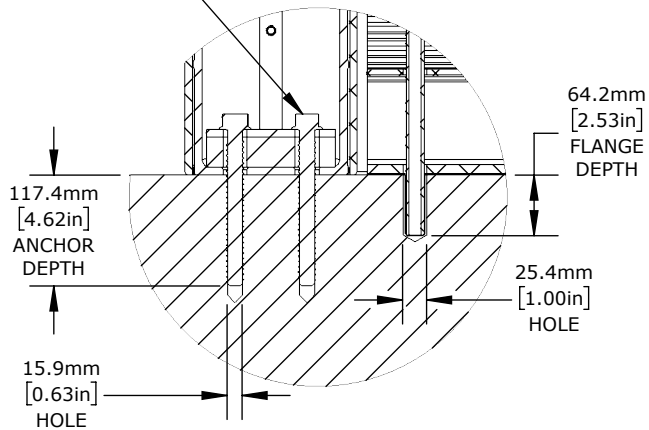


Top View





Concrete Anchor 5/8" x 6-1/2"
Part#: HW-C-A58



Fixing Detail

PROPRIETARY-CONFIDENTIAL: This document contains information proprietary to McCue Corporation. This information is not to be used in any way, disclosed to others or reproduced, in whole or in part, except as expressly authorized in writing by McCue Corporation. Any reproduction of this document, in whole or in part, must include this notice.

| | |
|--|--|
| FlexCore Guardrail Customer Drawing | |
|  McCue | |
| Peabody, MA 01960, USA +1 (800) 800 8503 customer@mc cue.com | |
| Milton Keynes, United Kingdom +44 (0)1908 365 511 uksales@mc cue.com | |
| Xiamen, Fujian, China +86-592-2200790 | |
| mccue.com    | |