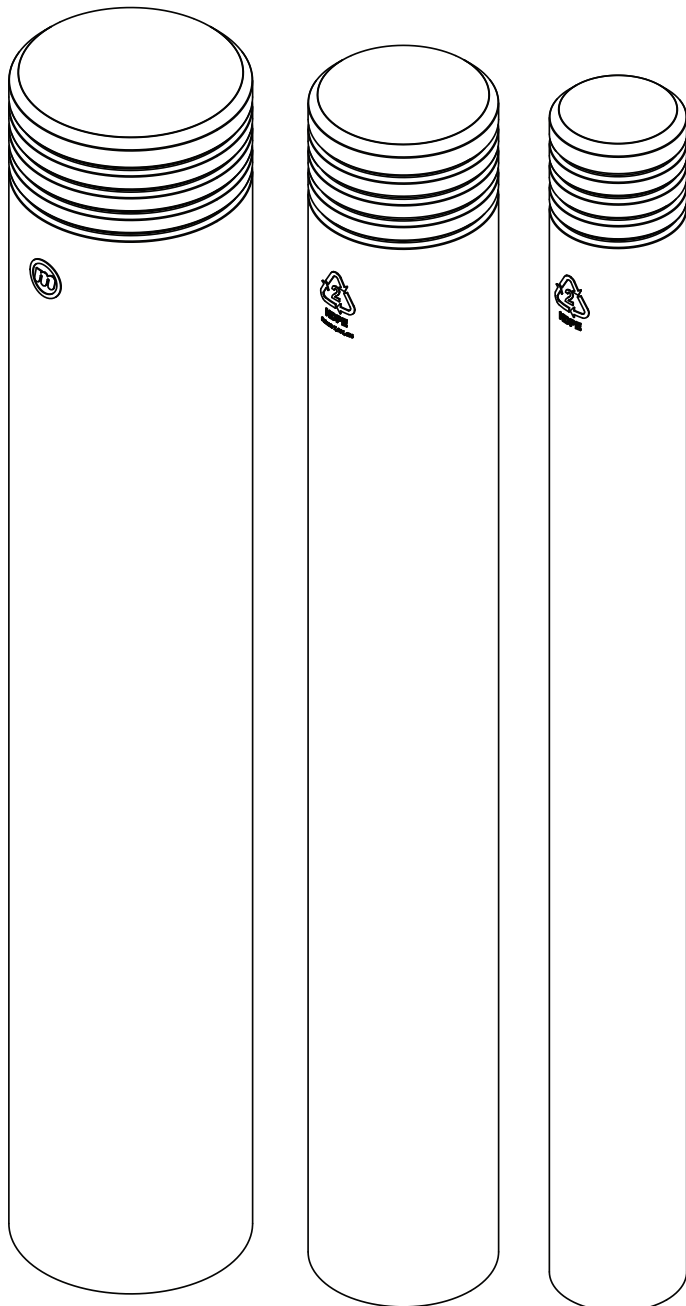


FlexCore Bollard

CONCRETE ANCHOR INSTALLATION



FlexCore 8

FC8

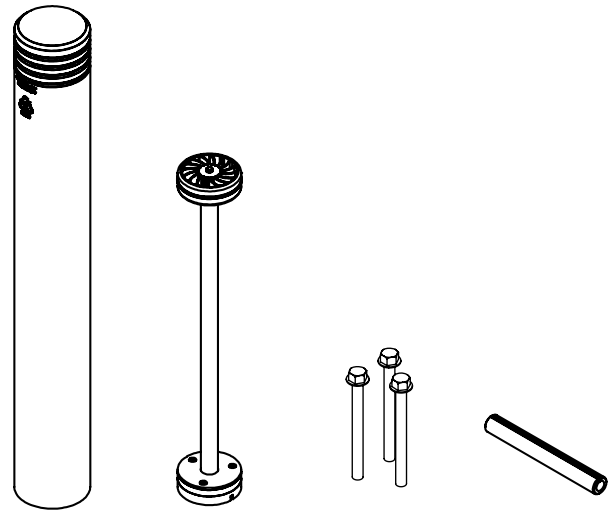
FlexCore 6

FC6

FlexCore 4

FC4

Components



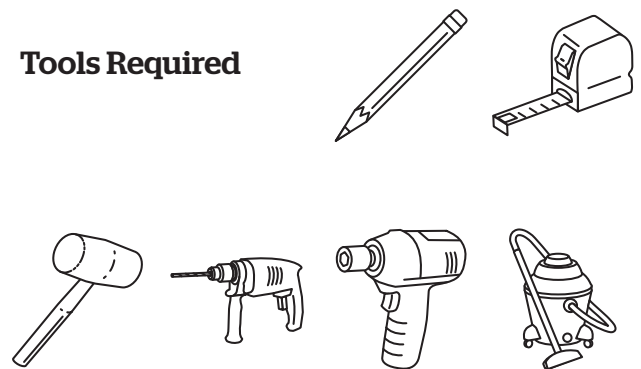
Shell

Core Assembly

Concrete Anchors (3)

Locking Pin

Tools Required



FC4 3/4", 19mm
 FC6 3/4", 24mm
 FC8 15/16", 24mm



FC4 1/2", 12mm
 FC6 1/2", 14mm
 FC8 5/8", 14mm



McCue Corporation
 Peabody, Massachusetts, USA
 +1 (800) 800 8503
 customercare@mccue.com

McCue UK & Europe
 Milton Keynes, United Kingdom
 +44 (0)1908 365 511
 uksales@mccue.com

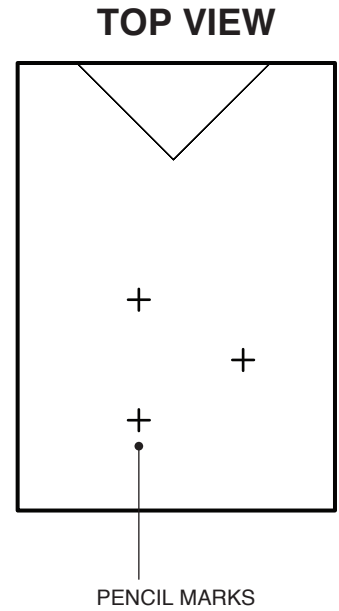
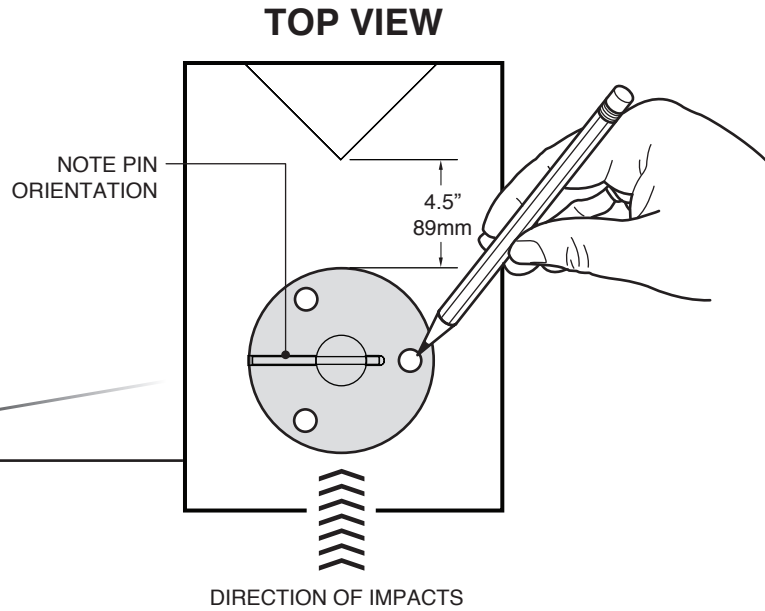
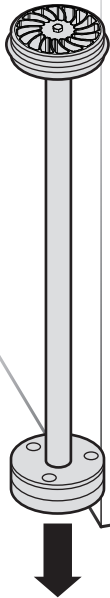
McCue Asia
 迈客(厦门)有限公司
 Xiamen, Fujian, China
 +86-592-2200790

mccue.com





1

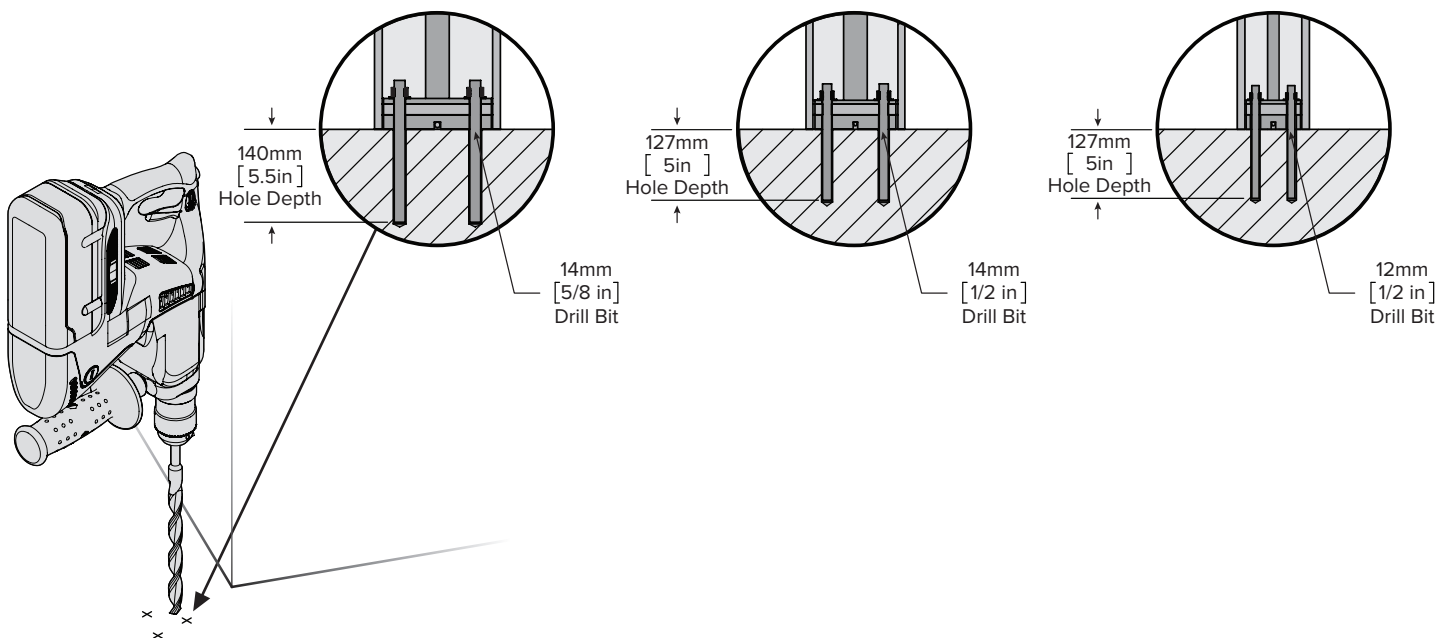


2

FlexCore 8

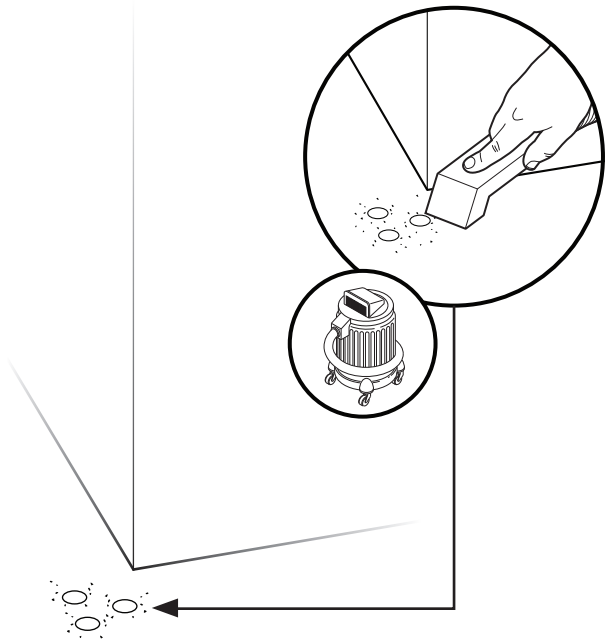
FlexCore 6

FlexCore 4

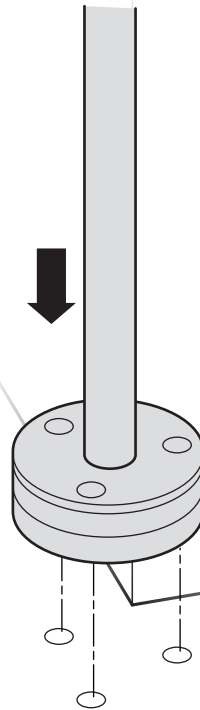




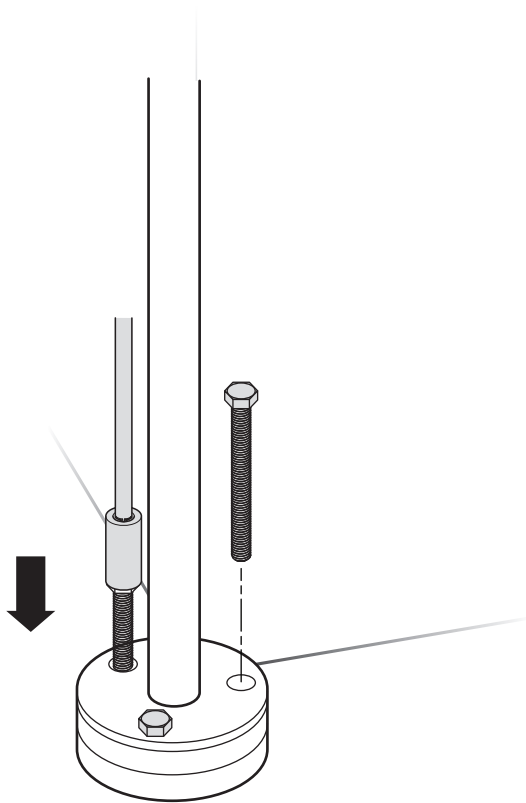
3



4



5

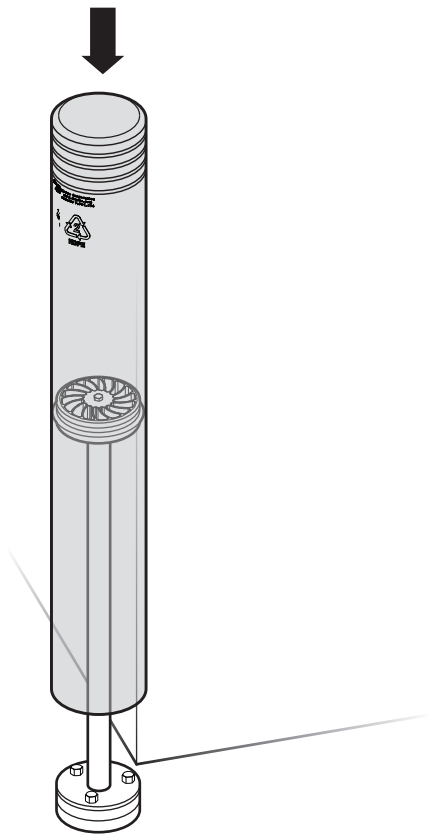


6

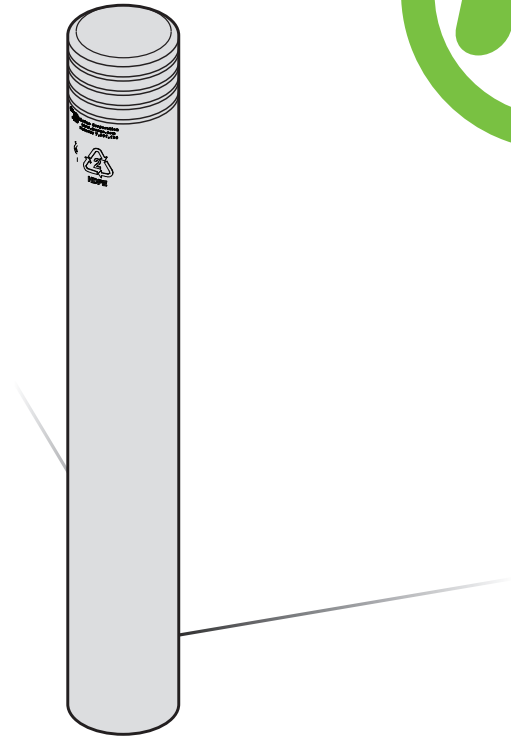




7



8



9 **Optional**

