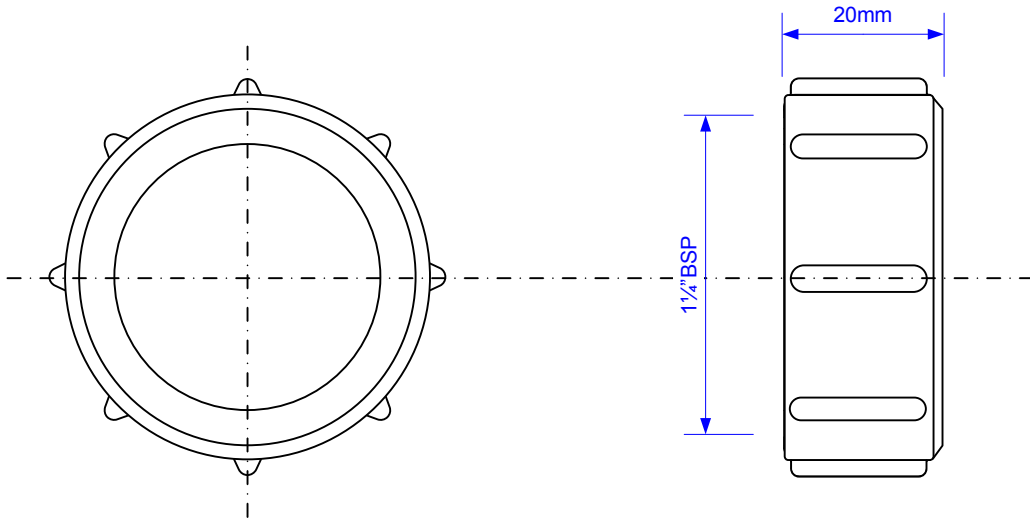


Code:

**S8B**



DRAWN BY  
RM

REVISED

FILENAME  
S8B.VSD

SCALE  
1:1

DATE  
02/02/2010