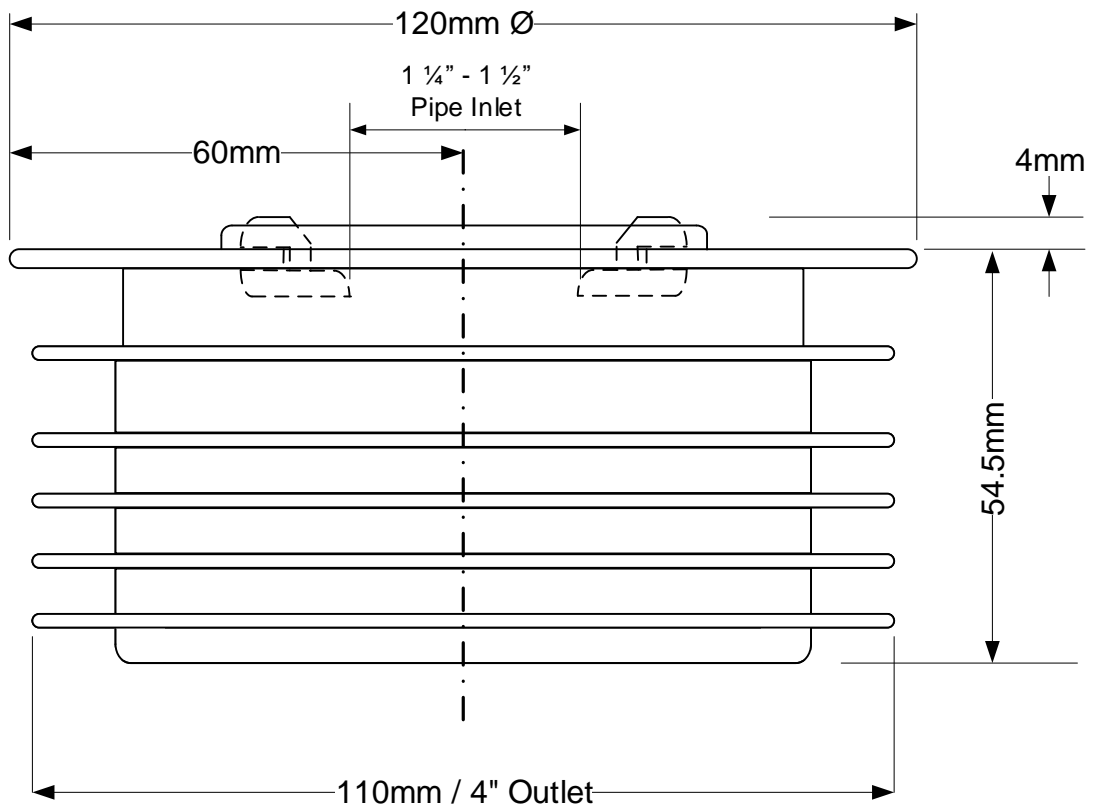


Code:

DC2-BL



© McALPINE
19/05/2011

Drawing verified
correct as of:

28.06.10
D.E

DRAWN BY
ELLEN McLELLAN

REVISED
28.06.10, 19/05/2011 (RM)

FILENAME
DC2-BL.VSD

SCALE
1:1

DATE
19/05/2011