

matki | S H O W E R I N G

EAUZONE PLUS

EPS - WALL HINGED BATH SCREEN (WITHOUT WALL FRAME)

INSTALLATION

PARTS LIST



EPS

MATKI PLC, CHURCHWARD ROAD, YATE, BRISTOL, BS37 5PL
TELEPHONE:01454 328816 (AFTER SALES) FAX:01454 328821 EMAIL: techsupport@matki.co.uk

IMPORTANT

TOOLS REQUIRED

Masonry Drill bit 6mm, Tape Measure, Screw Drivers, Safety Glasses, Electric Drill, Level, Pencil, Adjustable Spanners, Non Slip Gloves

Before disposing of carton and/or commencing assembly, please check all the parts to ascertain that none are missing and they are all undamaged. No claim for missing/damaged parts will be accepted once the packing carton has been disposed of and/or assembly has commenced.

In case of query contact your Stockist with details of model number and details of serial number.

PREPARATION IMPORTANT

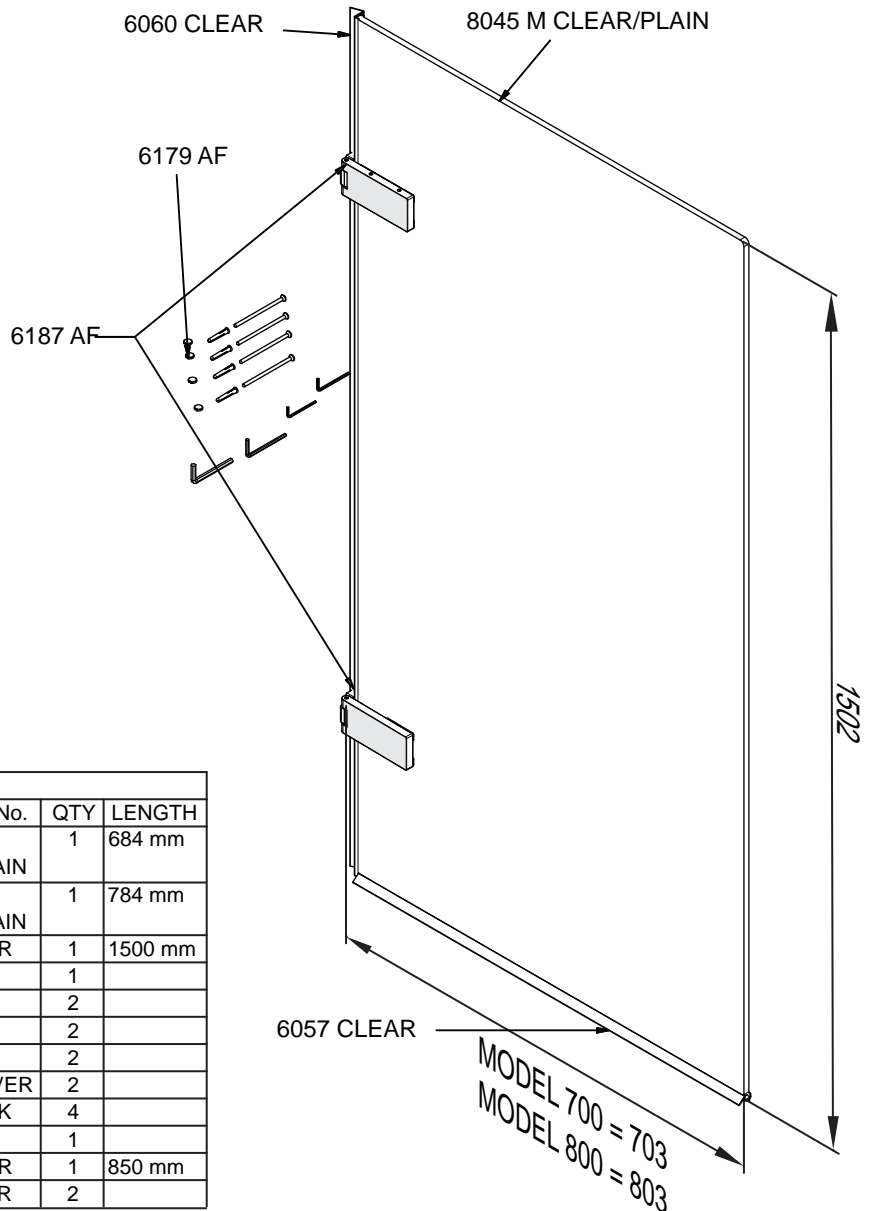
1. Please read complete installation instructions before fitting the Bath screen.
2. We recommend the use of Safety glasses and Non slip gloves when handling the glass panels.
3. Ensure that the product can be **fixed** to a **solid masonry wall** or suitable **timber stud work grade C16/C24** in the area behind the Wall frames and Panel fixing brackets.
4. The assembly should be installed onto a waterproof wall covering and installed after the bath and wall coverings are in place.
5. Seal between Bath and tiles. Remove any excess sealant from the area/joint between the bath and the tiles where the Wall mount is to be fitted. This will ensure the Wall mount fits correctly to the Wall and Bath.

CAUTION: TEMPERED GLASS CANNOT BE CUT, POLISHED METAL AND CHROME CAN BE SCRATCHED. CAREFULLY REMOVE ASSEMBLY FROM CARTON, DO NOT PLACE GLASS ON HARD FLOOR OR EXPOSE EDGES TO IMPACT.

DIMENSIONS/ PARTS LIST

Dimensions are approximate.

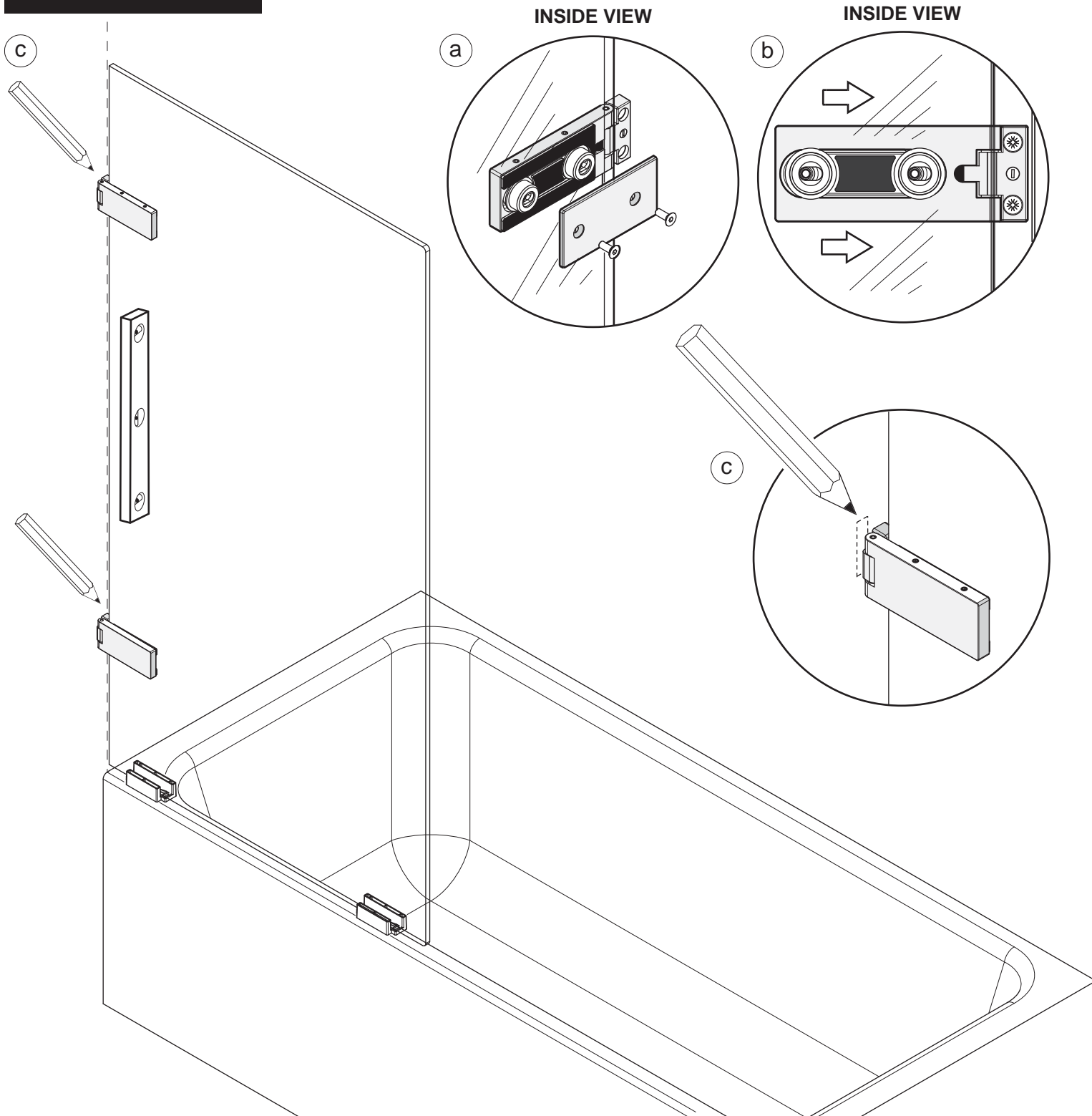
* Part varies depending on model



PARTS LIST				
ITEM	DESCRIPTION	PART No.	QTY	LENGTH
1*	BATH SCREEN DOOR (700)	8044 M CLEAR/PLAIN	1	684 mm
1*	BATH SCREEN DOOR (800)	8045 M CLEAR/PLAIN	1	784 mm
2	WALL HINGE SEAL (BATHSCREEN)	6060 CLEAR	1	1500 mm
3	WALL HINGES UPPER AND LOWER	6187 AF	1	
4	ADJUSTMENT BLOCK GASKET	4561 AF	2	
5	HINGE PLATE GASKET	4559 AF	2	
6	HINGE GASKET	4560 AF	2	
7	ADJUSTMENT BLOCK	6040 A SILVER	2	
8	HINGE-GLASS INTERFACE(2mm)	6041 BLACK	4	
9	WALL HINGE PARTS KIT	6179 AF	1	
10	100 HORIZONTAL DOOR SEAL	6057 CLEAR	1	850 mm
11	DOOR ASSEMBLY BLOCK	6052 CLEAR	2	

STAGE 1

IMAGES SHOW LH BATH SCREEN INSTALLATION.



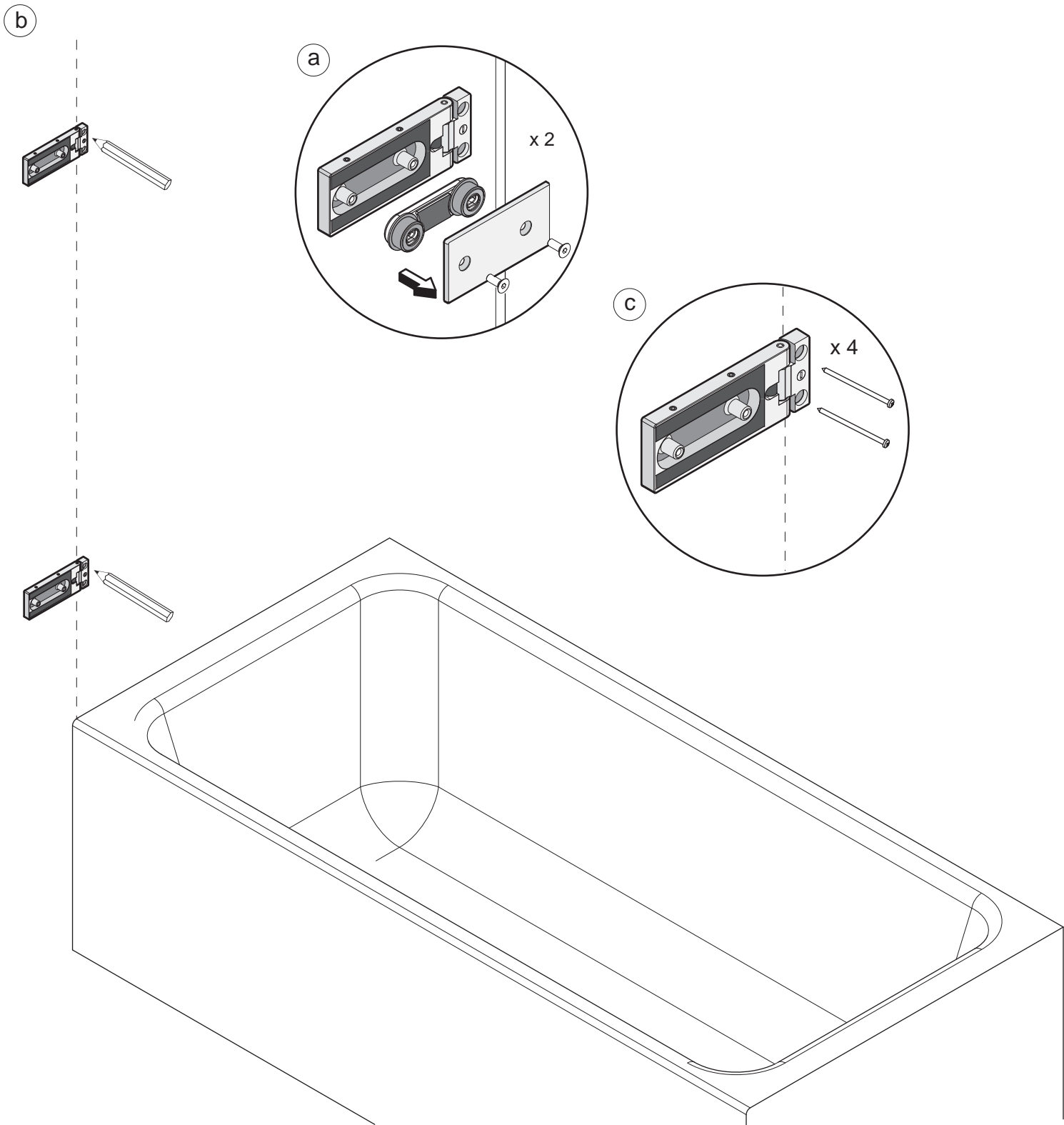
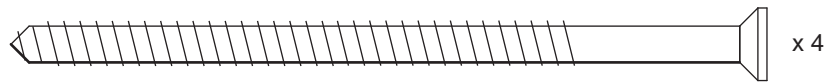
This stage is describing the positioning and marking of the Bath screen.

a. Remove the Back plates from the Hinges by removing the 4 x M6 x 16mm Csk screws. Carefully fit the upper Hinge body onto the outside of the Bath screen over the factory fitted Adjustment blocks.

b. The Hinge body has left to right adjustment, adjust the Hinge body so that the edge of the glass is closest to the Hinge wall blocks (on minimum adjustment). Re-fit the back plate and repeat for lower Hinge. Rotate the Hinge wall blocks 90° towards the inside of the Bathscreen.

c. Place the Door assembly blocks onto the Bath, with the U-shape facing upwards. This will space the underside of the Bath screen glass 7mm up from the face of the Bath. Carefully place the Bath screen assembly down onto the blocks and back to the Wall. Position the screen so that the inside of the glass is close to the inside edge of the Bath. Plumb the Screen for upright and mark around the hinges. Remove the Bath screen.

STAGE 2



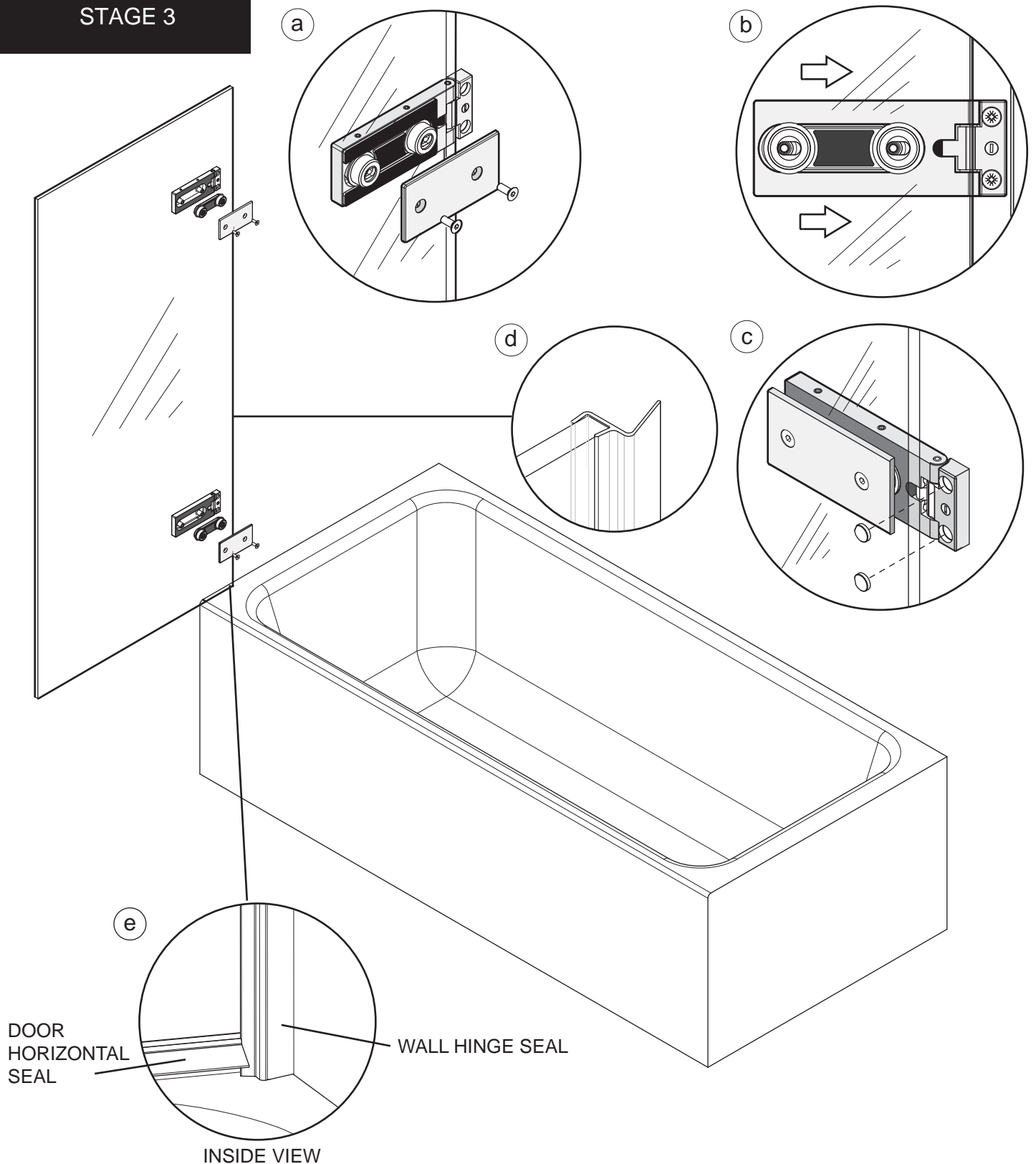
This stage is describing the fitting of the Hinges.

a. Remove both of the Hinges from the Bath screen by removing the Back plates.

b. Place one of the Hinge bodies onto the wall in the position previously marked. Mark the centre of both of the screw holes onto the wall. Repeat for the other Hinge. Remove the Hinge body and set aside.

c. Drill and fit the 4 x **No.10** Wall Plugs provided. Replace the Hinge bodies into position on the wall and fix using the 4 x No.10 x 100mm Wall screws.

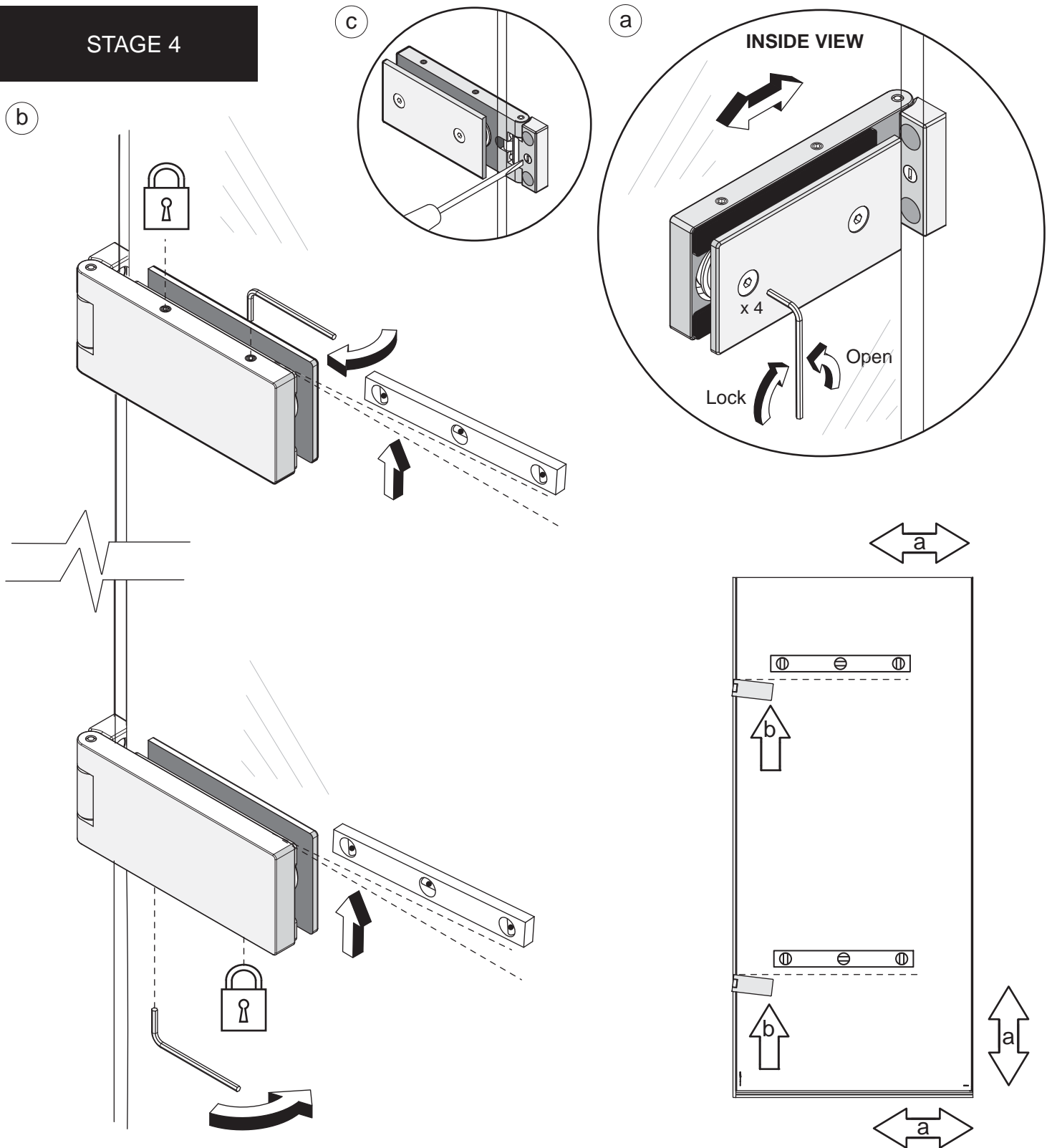
STAGE 3



This stage is describing the fitting of the Bath screen panel.

- a.** Carefully lift the Bath screen onto the Hinges, ensuring the Adjustment blocks fitted to the glass are on the Hinge side.
- b.** The Panel has left to right adjustment, push the Panel glass fully towards the hinges (on minimum adjustment). Re-fit the back plates.
- c.** Fit the 4 x Hinge screw covers.
- d.** Fit the Vertical wall hinge seal to edge of the Bath screen panel on the wall side.
- e.** Fit the Door Horizontal Seal to underside of the Door glass with the fin facing inwards. Some trimming may be required. The seal should fit between the edge Vertical wall hinge seal and the edge Bath screen panel.

STAGE 4



This stage is describing the Bath screen adjustment

- a.** The Panel glass can be adjusted left to right to open/close the distance between the fin of the Wall hinge seal and the Wall and to lift the corner of the Panel away from the Bath. Loosen the 4 x M6 x 16 Csk socket screws in the back of the Hinges, adjust the Panel left or right. Retighten the 4 x Csk socket screws.
- b.** To lift the Hinges tighten down the top outer Socket set screw on the upper Hinge and the underside inner Socket set screw on the lower hinge. Lock in position by tightening the top inner Socket set screw and the underside outer Socket set screw on the lower Hinge.
- c.** To adjust the Bathscreen Panel to close in line with the Bath, wind out the Adjustment screw in the Hinge wall blocks with a small flat headed screw driver as required to stop the Panel in the correct position.

MAINTENANCE

Matki Glass Guard Easy Clean Surface Protection (optional) and General Cleaning Guide

Cleaning Instructions

Matki Glass Guard allows water to form minute beads which easily trickle off the surface of the glass. This makes the glass easier to clean - the glass does not need to be cleaned as frequently, but it does require occasional maintenance. As less cleaning is required the use of detergents can be minimised thus helping to protect the environment. The lifespan of the Matki Glass Guard is dependant on the frequency of use of the shower and the degree of water hardness.

The combination of alkaline materials and humidity affects glass in an extremely aggressive way. Do not use bleach, alkaline, acid-based or aggressive and abrasive glass cleaners, detergents or household cleaning products on the glass.

We recommend that the glass is washed down with clean water and a soft clean cloth or sponge.

The special coating is only present on the inside of the glass.

Matki Glass Guard is guaranteed for 2 years provided that the guidelines and cleaning instructions are followed.

Aluminium and Chrome parts should be cleaned with a mild non scratch household cleaner and a soft cloth or sponge.

Do not use acidic-based descaler products or products which are unsuitable for cleaning enamelled surfaces, including abrasive cleaners or cleaners containing bleach or solvents, as the products will effect the anodised framework. Under no circumstances use cleaners with a pH level exceeding 8.

Matki does not recommend the use of 'Leave-on' Shower Cleaners on Matki Glass Guard Products.

Water Softeners and Glass Guard - Certain types of water softeners increase the alkalinity of the water due to a carry-over of Chloride during re-generation which can cause aggressive water spots on both untreated and Glass Guarded glass. If using a water softener we recommend a two-cylinder machine with automatic re-generation instead of a timer.

If a single-cylinder water softener with timer is already installed it is recommended that after each shower excess water is removed from the glass with a squeegee or with a micro-fibre cloth.



Wash down with clean warm water and a soft clean cloth or sponge.



Do not use bleach, alkaline or acid-based, aggressive or abrasive cleaning products.

Flash Bathroom Spray or Cif Bathroom Spray can be used on Matki Products.

Various specialist cleaning and glass dressing products are available from Ritec International Ltd Tel. 020 8344 8210 or www.ritec.co.uk. Matki Plc is not connected with Ritec International Ltd in any way and the contact details are supplied for information only. Read manufacturers label before using any cleaning materials.

IMPORTANT

Matki Glass Guard is guaranteed for 2 years. It is essential that the cleaning instructions are followed in order to maintain the hydrophobic properties of the glass coating. In the event of the failure to comply in any way with these instructions, any warranty or guarantee will be null and void.

matki | S H O W E R I N G

MATKI PLC, CHURCHWARD ROAD, YATE, BRISTOL, BS37 5PL
TELEPHONE:01454 328816 (AFTER SALES) FAX:01454 328821 EMAIL: techsupport@matki.co.uk