

1

2

3

4

5

6

A

B

C

D

## PRODUCT SPECIFICATION

### MATERIAL:

BOLLARD: GRADE 316L STAINLESS STEEL,  
3mm WALL  
SOCKET: GRADE S235 MILD STEEL (5mm)

### FINISH:

BOLLARD: BRUSHED SATIN

SOCKET: HOT DIP GALVANISED -  
BS EN 150 1461 (1999),

### WEIGHT:

SOCKET: 15.2KG Approx  
BOLLARD: 5.6KG Approx

### TELESCOPIC INSTALLATION:

1. Determine suitable location for telescopic bollard. Perform visual checks, scan and check drawings for utilities/live cabling.
2. Evacuate cubed foundation for bollard. Insert 200mm of pea gravel in the hole for drainage purposes. (Guidance: See Drawing)
3. Locate bollard centrally in evacuation hole, insert a further 200mm of pea gravel. Back fill earth till 300mm from ground level.
4. Cast C30 concrete or similar medium slump around socket. Ensure socket is vertical in all planes. Smooth off concrete to allow slight fall away from socket.
5. Allow the foundation to cure. Concrete should be protected by polythene during the first 24 hours following installation.

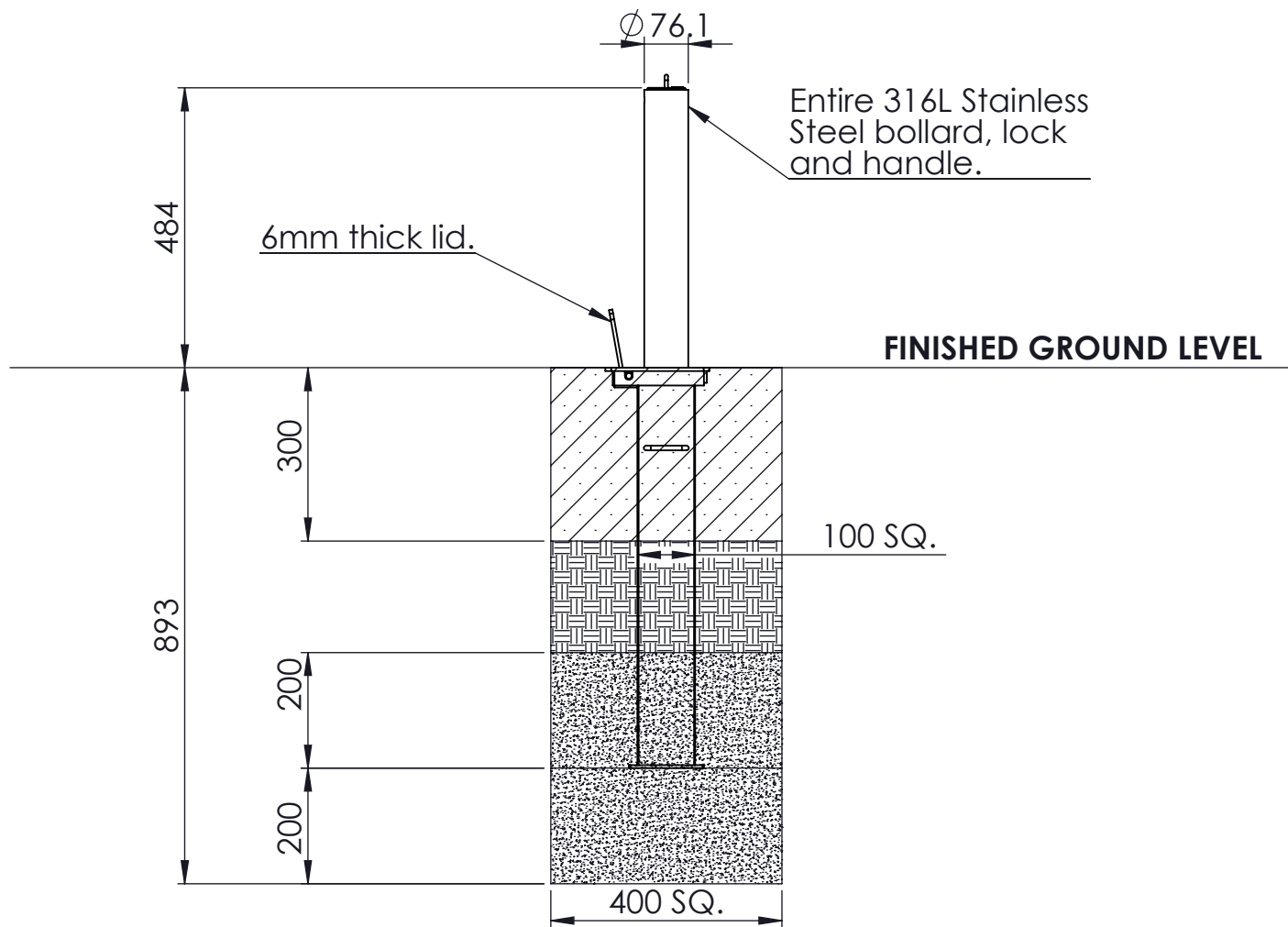
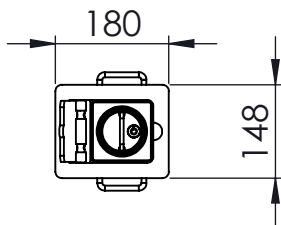
Foundation sizes given are for customer guidance and suited to sub-soils with good load bearing capabilities. Where adverse site conditions are met professional advice to be sought.

For operation and maintenance please refer to the **Marshalls Street Furniture Maintenance Guide.**

A	FIRST ISSUE	15/11/13	MB
RevNo	Revision Note	Date	Signature

Title:  
**RD4 DOMESTIC TELESCOPIC  
SS BOLLARD Ø76.1 500HAG**

Drawing No:  
**PS-RH-BT-10048**



1

2

3

4

5

6