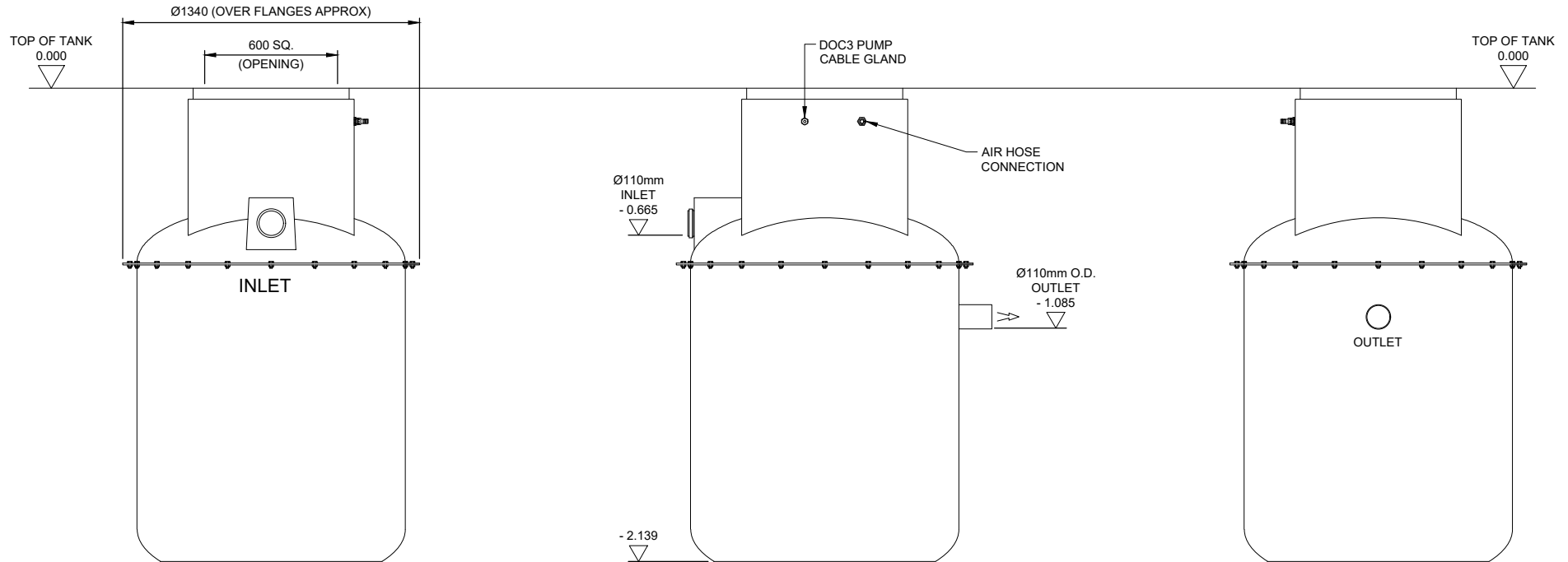


PLAN



VIEW ON INLET

SIDE VIEW

VIEW ON OUTLET

REV	DESCRIPTION	DATE	SIG	REV	DESCRIPTION	DATE	SIG
				A	For Approval.	10.02.25	K.H.

THIS DRAWING IS THE PROPERTY OF MARSH INDUSTRIES LTD. AND MUST NOT BE REPRODUCED OR CIRCULATED FOR ANY PURPOSE WHATSOEVER WITHOUT FIRST OBTAINING WRITTEN CONSENT FROM THE MARSH INDUSTRIES LTD.


ORIG.	CHKD	APPD
SCALE	DATE	
N.T.S.	10.02.2025	

3 RD ANGLE PROJECTION DO NOT SCALE IF IN DOUBT ASK

CLIENT

TITLE

MARSH PHOS-LITE PL 8  
 (Ø1.2m x 2.139m DEEP)  
 GENERAL ARRANGEMENT



UNITS 9-13 ADDINGTON PARK IND. EST.,  
 LITTLE ADDINGTON, PETERBOROUGH,  
 NORTHAMPTONSHIRE, ENGLAND

MARSH INDUSTRIES >  
 Leaders in off-mains drainage

DRG. G.A. REV. A