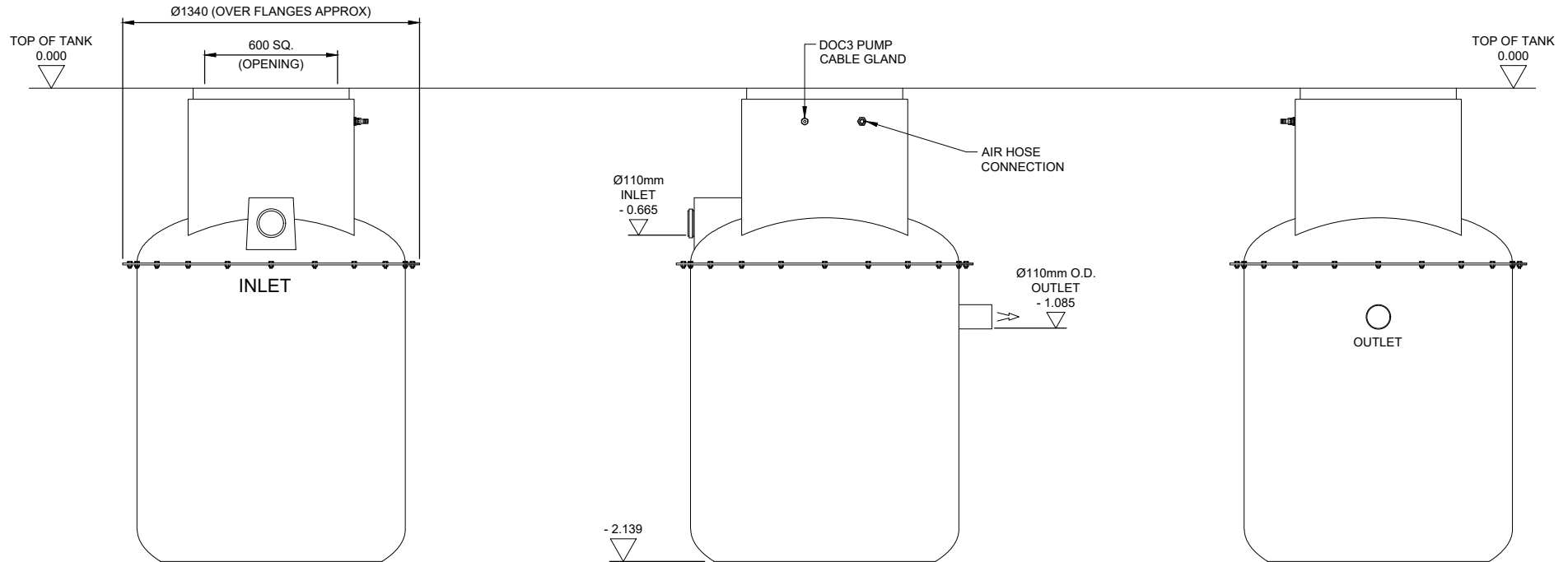


PLAN



VIEW ON INLET

SIDE VIEW

VIEW ON OUTLET

REV	DESCRIPTION	DATE	SIG	REV	DESCRIPTION	DATE	SIG
				A	For Approval.	10.02.25	K.H.

THIS DRAWING IS THE PROPERTY OF MARSH INDUSTRIES LTD. AND MUST NOT BE REPRODUCED OR CIRCULATED FOR ANY PURPOSE WHATSOEVER WITHOUT FIRST OBTAINING WRITTEN CONSENT FROM THE MARSH INDUSTRIES LTD.

ORIG.	CHKD	APPD
SCALE	DATE	
N.T.S.	10.02.2025	

3 RD ANGLE PROJECTION

DO NOT SCALE IF IN DOUBT ASK

CLIENT	TITLE
	MARSH PHOS-LITE PL 10
	(Ø1.2m x 2.139m DEEP)
	GENERAL ARRANGEMENT

DRG	REV
	A

MARSH

UNITS 9-13 ADDINGTON PARK IND. EST.,
LITTLE ADDINGTON, PETERBORO,
NORTHAMPTONSHIRE, ENGLAND

MARSH INDUSTRIES >

Leaders in off-mains drainage

G.A.