

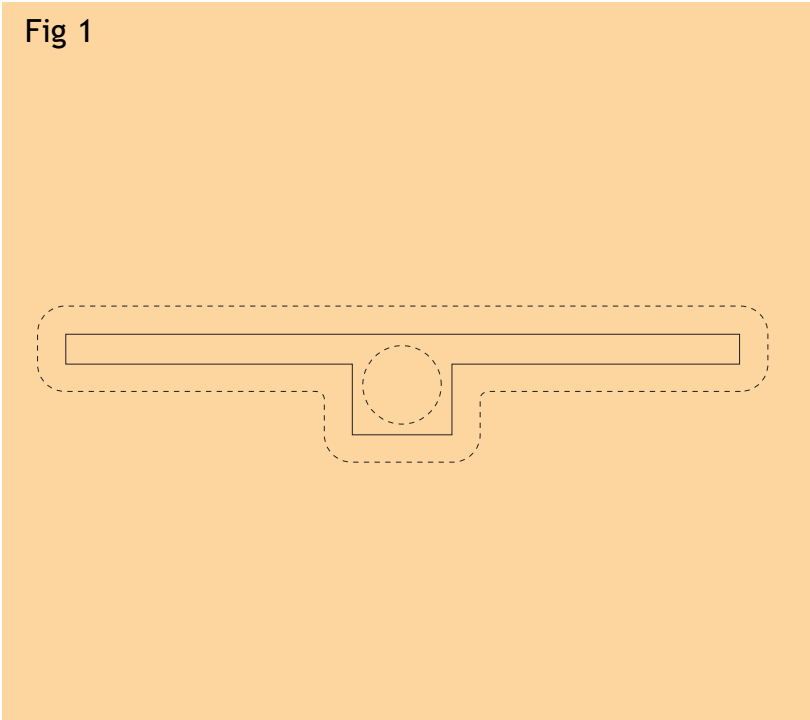
Alumasc

installation guide

Product:	Harmer Linearis Shower Gullies	Sheet No.:	0000000
----------	--------------------------------	------------	---------

Slimline 40/60 Timber floor: Floor preparation

Fig 1

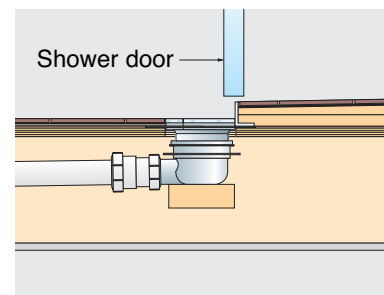
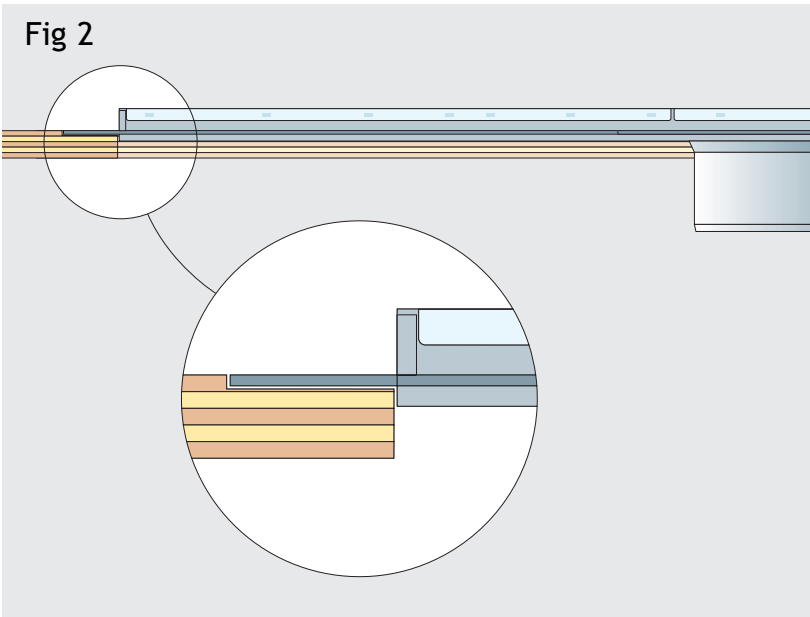


1 Before starting, please observe all the components listed in the assembly drawing to ensure that all the necessary parts are included.
For the majority of the installation you will only require the Drain Body, and the Channel upper section. All the other items can be removed and kept safely to avoid damage.

2 Set out where the drain is to be placed, taking into account the location of the waste pipe and the desired falls of the finished floor (Fig 1). To achieve the stated flow rates it is recommended that a 1:40 (or 2%) fall be achieved towards the drain.

Important: Linearis Slimline 40 is best located against the wall of the shower with a minimum fall of 1:40. It should not be installed flush at the door threshold unless a 10mm step is created (see diagram below).

Fig 2



3 We recommend a new 22mm WPB Plywood deck is installed with noggins to support and screwed at 150mm centres. Where alterations to joists are necessary consult Structural Engineer for advice and reinforce joists as advised.

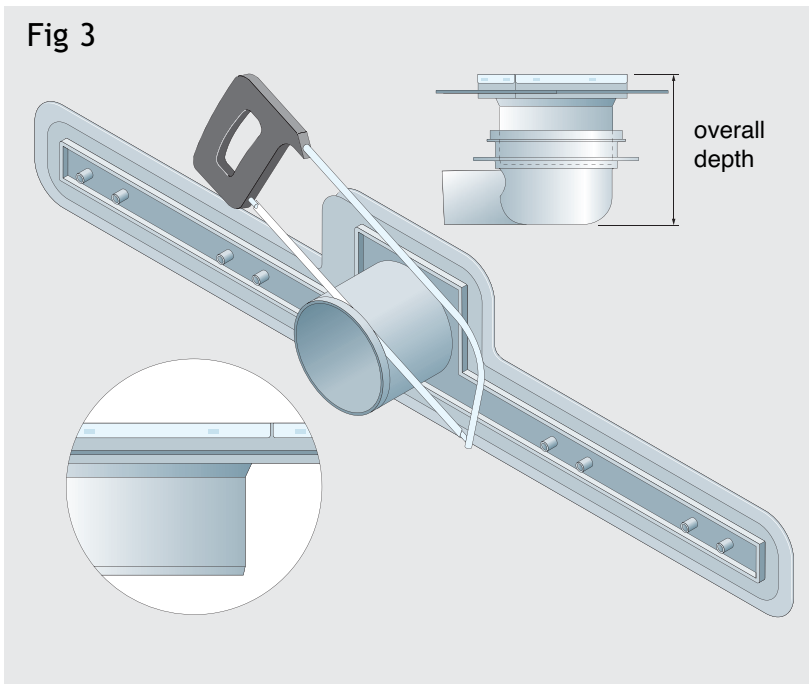
Alumasc

installation guide

Product:	Harmer Linearis Shower Gullies	Sheet No.:	0000000
----------	--------------------------------	------------	---------

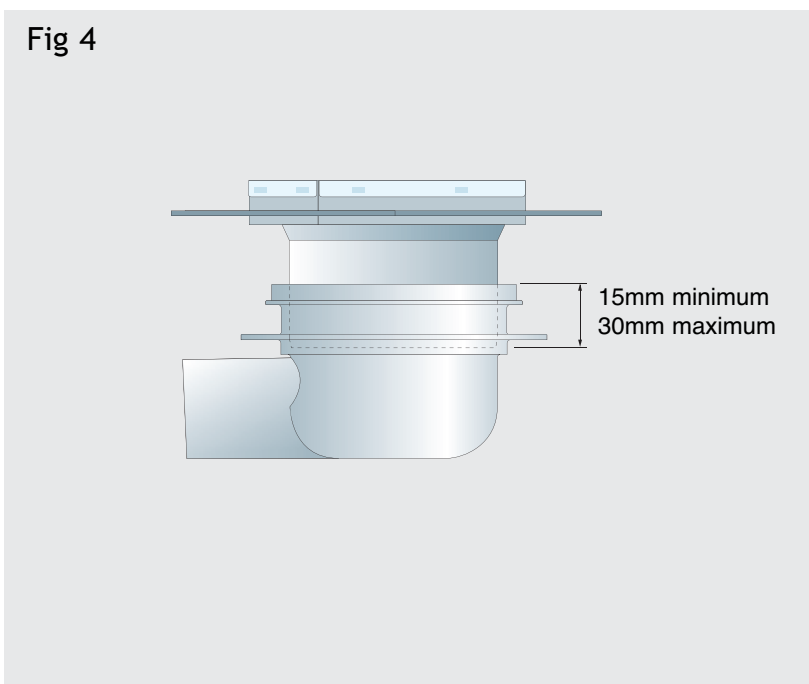
Slimline 40/60 Timber floor: Floor preparation

Fig 3



- 4 Once the location of the drain is set, working to the centre of the channel, cut out a section of the floor to the shape of the underside of the channel (Fig 1).
- 5 Place the channel upside down in the cut out and mark around the channel body. This will give the outline of the area to be routed (Fig 1).
- 6 Router the area marked to a depth of 3mm to enable the top of the channel body to sit flush with the timber floor (Fig 2).
- 7 If necessary cut the Channel upper section spigot to the correct length (Fig 3) depending on the desired falls required in the waste pipe. When cutting the spigot it is important to chamfer the end (Fig 3).

Fig 4



- 8 The upper section spigot must be inserted into the drain body by a minimum of 15mm (Fig 4).

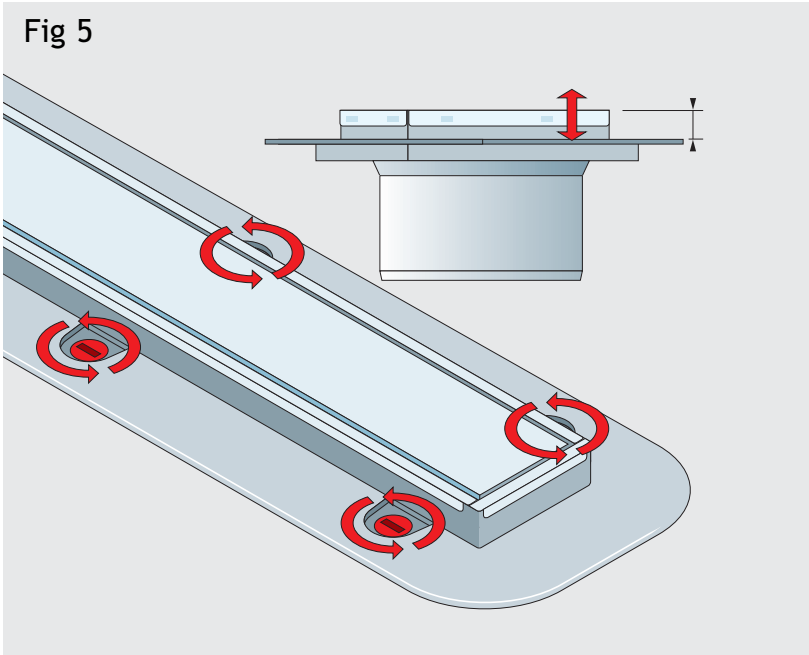
Alumasc

installation guide

Product:	Harmer Linearis Shower Gullies	Sheet No.:	0000000
----------	--------------------------------	------------	---------

Slimline 40/60 Timber floor: Floor preparation

Fig 5

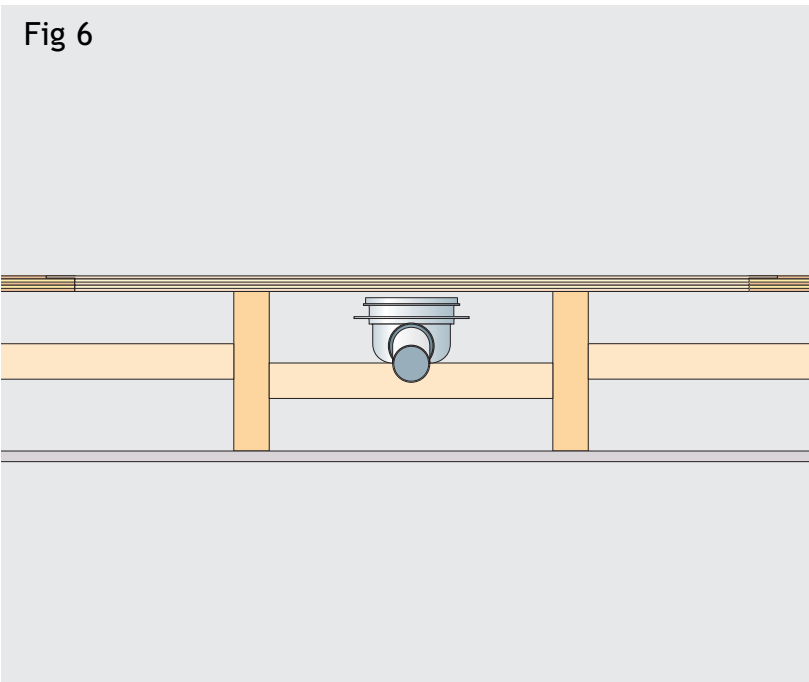


9 Note: Slimline 60 channel can be adjusted to suit different tile thicknesses (Fig 5).

10 At this stage it is worth checking that the overall depth of the drain (Fig 6) matches that of the top of the noggin to finished floor. Any adjustment should be made before proceeding to the next stage.

11 Once these heights are set it is recommended that a noggin be placed directly underneath the drain body for support (Fig 6). This is important for future maintenance to stop the drain body being pushed apart when removing and replacing water trap.

Fig 6



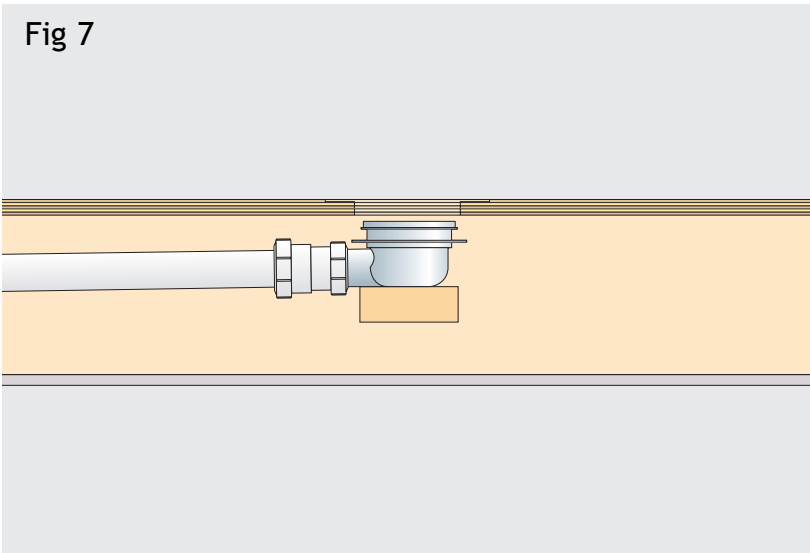
Alumasc

installation guide

Product:	Harmer Linearis Shower Gullies	Sheet No.:	0000000
----------	--------------------------------	------------	---------

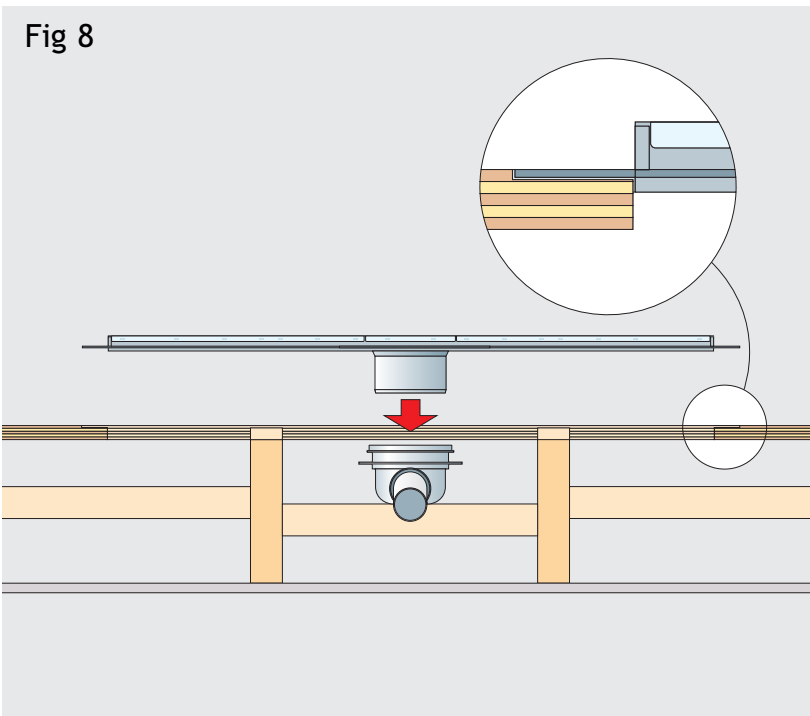
Slimline 40/60 Timber floor: Floor preparation

Fig 7



- 12 Fit the Drain body in place ensuring a watertight connection to the waste pipe (Fig 7).
- 13 The channel upper section can now be permanently installed. Apply Sikaflex 11 FC (or similar) into the rebate created and push the channel upper section into position ensuring that the top of the channel upper section is flush with the timber flooring (Fig 8). We recommend using pipe jointing lubricant to ease connection into the drain body and to avoid damage to the rubber seal.

Fig 8

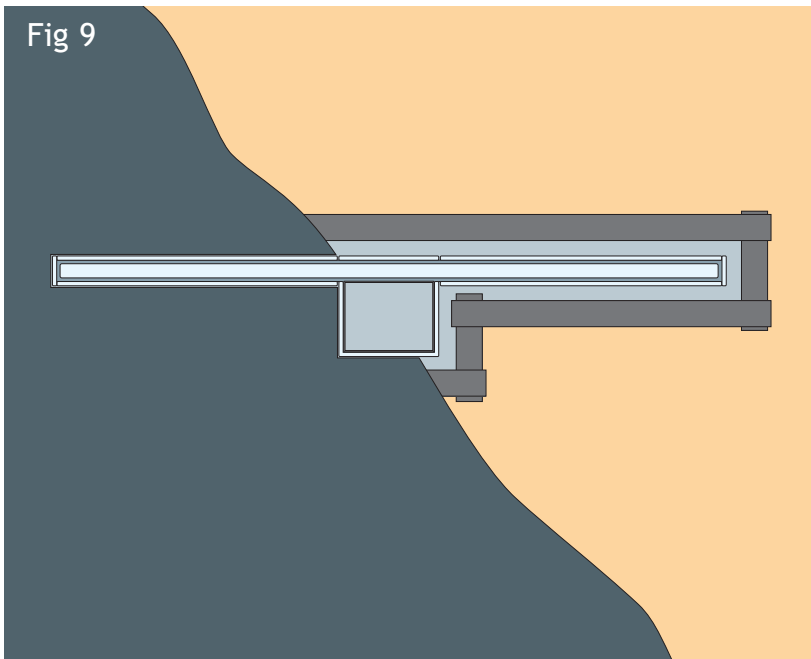


Alumasc

installation guide

Product:	Harmer Linearis Shower Gullies	Sheet No.:	0000000
----------	--------------------------------	------------	---------

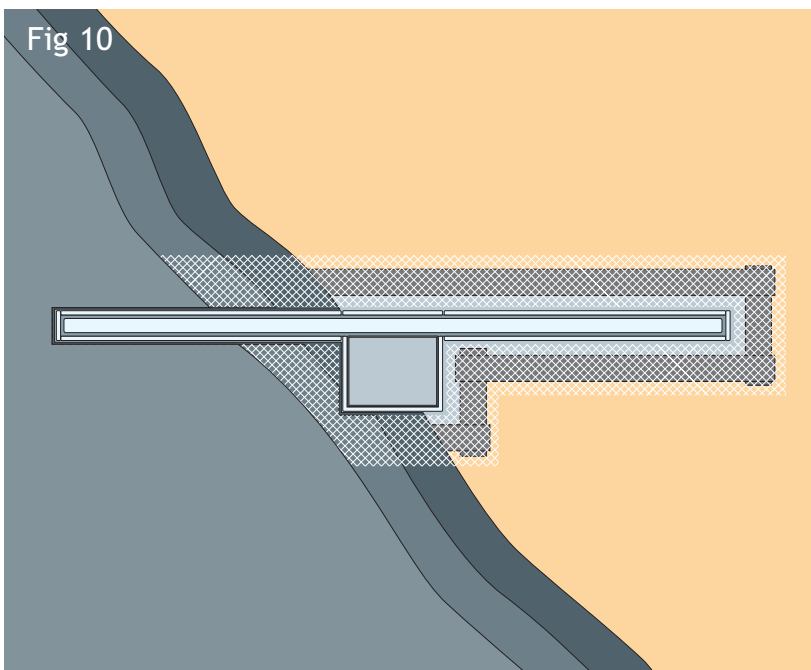
Slimline 40/60 Timber floor: Waterproofing



- 14 Alumasc recommends BAL WP1 Waterproof Tanking System; other tanking systems can also be used including membrane types, apply according to manufacturer's instructions.

Recommended when using BAL WP1 Tanking System:

- 15 Any gaps between the upper section and the wooden floor should be taped using BAL WP 1 TAPE (Fig 9).
- 16 Using BAL PRIME APD, apply one coat of primer to the gully upper section and surrounding area to be tanked (Fig 9). Leave to dry overnight.
- 17 Apply BAL WP1 tanking system to the area to a thickness of 1-2mm making sure not to leave any voids (Fig 10), while still wet lay the reinforcing mesh supplied and press into the wet coating (Fig 10).



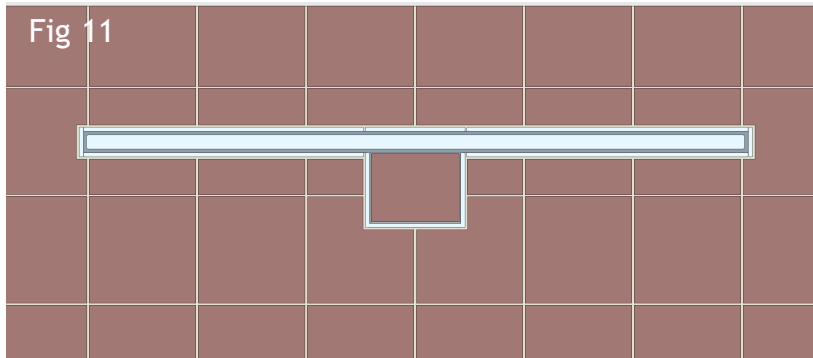
- 18 Apply a further coat of BAL WP1 coating, again to a thickness of 1-2mm, this time making sure any gaps or voids are bridged using BAL WP1 MATTING (Fig 10). Allow to dry for 24 hours at 21 - 23 degrees. The floor is now ready for tiling (Fig 11).

Alumasc

installation guide

Product:	Harmer Linearis Shower Gullies	Sheet No.:	0000000
----------	--------------------------------	------------	---------

Slimline 40/60 Timber floor: Waterproofing



19 When tiling it is recommended that a grout gap is left around the channel, it is advisable to use a flexible grout in this area to avoid cracking (Fig 11). The drain has been designed in such way that any water seeping through the grout will feed back into the drain.

