

TECHNOLOGY IN MOTION



# MACO PROTECT DOORLOCKS



Perfection in a diverse and functional range of door locking systems



**MACO  
PROTECT**



We provide your customers with benefits



#### **Pretentious design**

Investigations have shown that consumers pay more and more attention to design and beauty. We complement your door with a pretentious lock design and extensive additional benefits.

#### **Durable, secure function**

Quality and functionality are par excellence.  
The MACO PROTECT multi point locking system protects your door leaf against distortion or attack

#### **Luxury living**

Impermeability and sound insulation are pre-conditions for maximum living quality.

#### **Security against uninvited guests**

Burglar-inhibiting doorlocks protect against burglary.  
The MACO PROTECT doorlock product range provides security in an array of versions.

**MACO  
PROTECT**



## The benefit for you as a fabricator



### **Straightforward stock control saves time and money**

The continuous faceplate with the notch for the handle positioning means rapid, flexible and precise installation.

### **Various installation possibilities**

A wide range of door locking options allow you the possibility of manual installation right up to automated installation with our MACO PROTECT doorlock product range.

### **Flexibility in all areas**

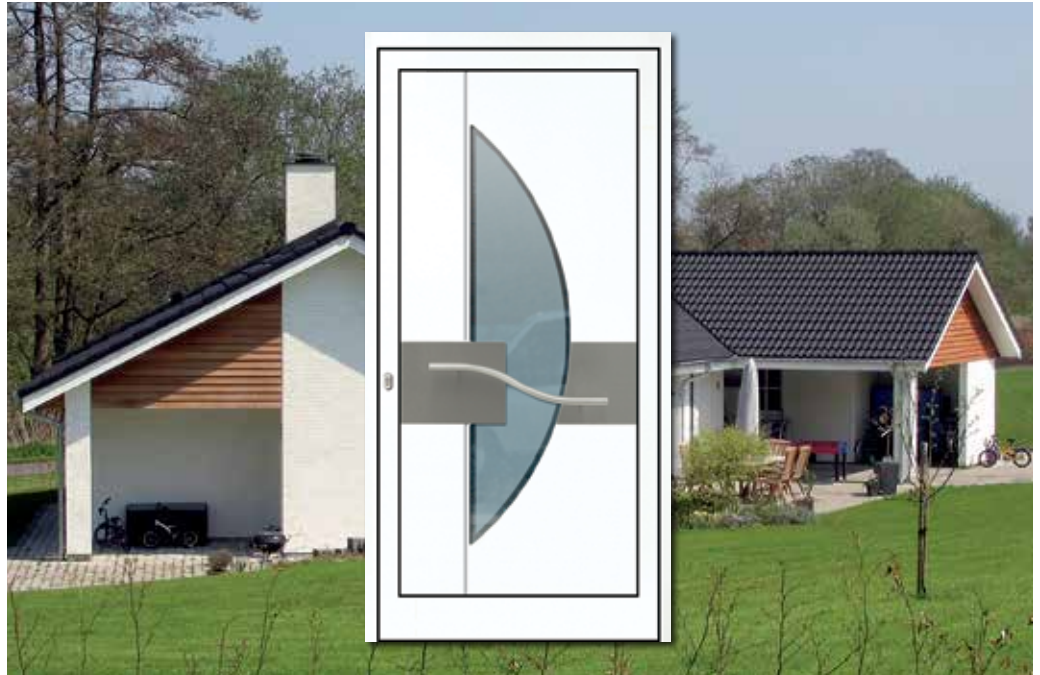
Cylinder or handle-operated MACO PROTECT doorlocks can be individually adapted to suit the needs of your customers thanks to the many different locking point versions.

### **Low stockholding**

The modular design of the MACO PROTECT doorlock saves space in your warehouse. For example the roller latch can be ordered separately and individually fitted.



## The aesthetics of your main door



### **Aesthetical considerations have been underestimated in the past.**

The harmoniously designed fittings components of the MACO PROTECT product range give your door an elegant sightline.

### **The fittings design**

- Elegant silver look surface-finish
- Highly technical locking components
- Harmoniously integrated soft latch
- Aesthetically appealing striker range





## The aesthetics of the top hat faceplate



### **Revolutionary aesthetics of door fittings.**

The aesthetical advantages of the MACO PROTECT top hat-shaped faceplate are obvious.

### **The faceplate technology evolution**

- Security and aesthetics of the 24 mm flat faceplate in conjunction with a 16 mm fittings eurogroove
- No dirt deposits in the gap between the faceplate and the eurogroove
- Protruding lock routings are safely covered
- No reduction of the door clearance as is the case for example when using a 24 x 3 mm flat faceplate
- The use of the well-proven PROTECT i.S. strikers is possible
- A higher stability than with the 16 x 3 mm flat faceplate
- Straightforward installation and the same screw positions as on the standard faceplates



## The aesthetics of the top hat faceplate

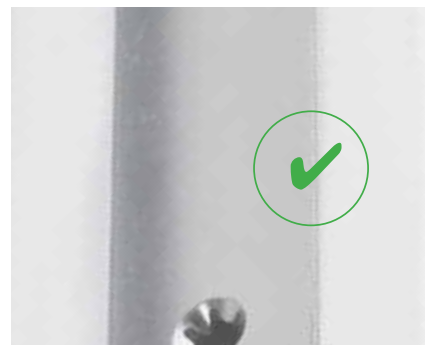


### Setting new standards in faceplate technology.

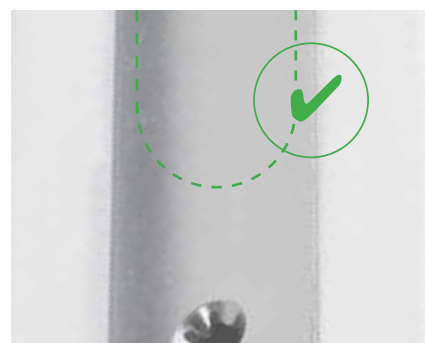
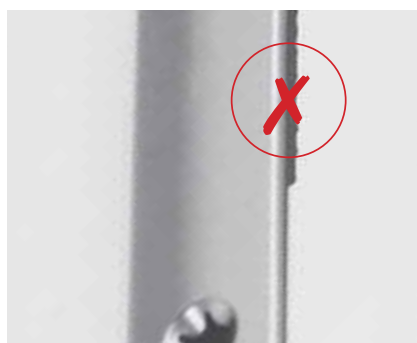
The MACO PROTECT top hat-shaped faceplate overcomes aesthetical problems.

### Top hat-shaped faceplate advantages (F-24/16 x 3 mm)

No dirt deposits between the faceplate and the eurogroove



Protruding lock routings are safely covered





## Durability of your door lock



**The mechanics and surface-finish of a doorlock are subject to great strains.**

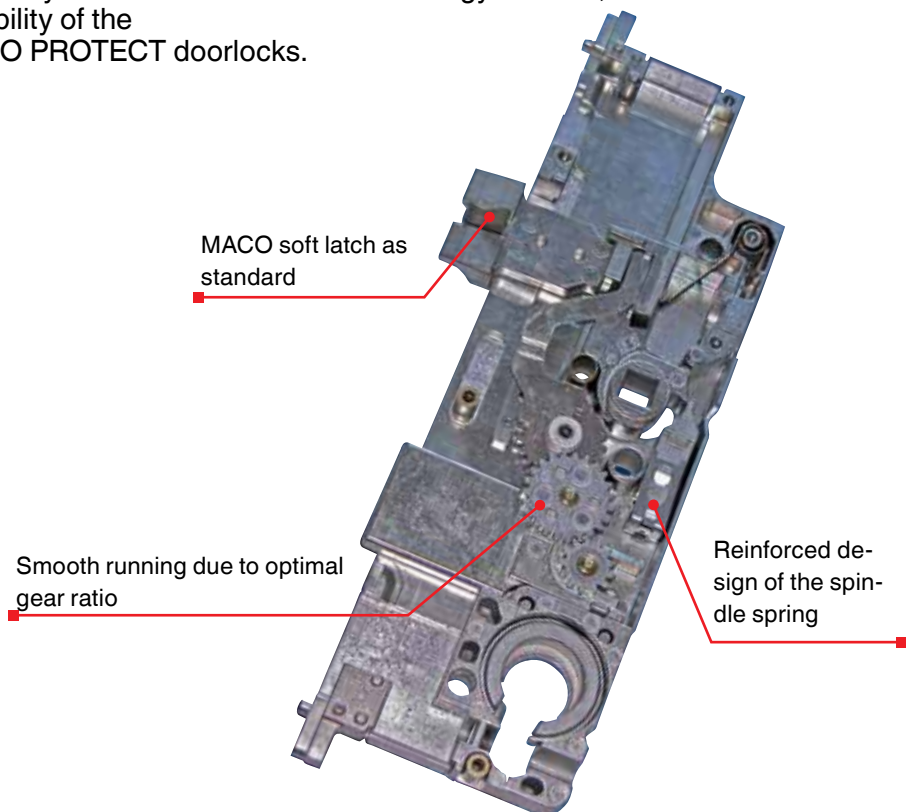
Durability tests at the ift window technology institute, Rosenheim confirm the durability of the MACO PROTECT doorlocks.

### The new MACO PROTECT doorlock

- Maximum loading capacity thanks to its innovative design
- Durable and reliable function due to the combination of premium materials
- Stronger spindle spring for particularly heavy handles

### Fittings surface-finish

- Maximum corrosion protection with MACO Tricoat
- For application areas where the corrosion resistance of electrogalvanised surface-finishes is no longer sufficient





## Living comfort



### Closing the door can cause noise.

The standard integrated MACO PROTECT soft latch slides smoothly and quietly into the striker.

#### MACO soft latch as standard

- Additional function without additional costs
- Soft entry into the latch striker – providing quiet door closing
- PVC latch insert protects latch and striker against wear and tear
- Non handed

#### Reduced soft latch

- Can be used as a special solution for special profiles and electrical opening striker-plates



The latch's soft point of entry curve into the striker



## Smooth operation



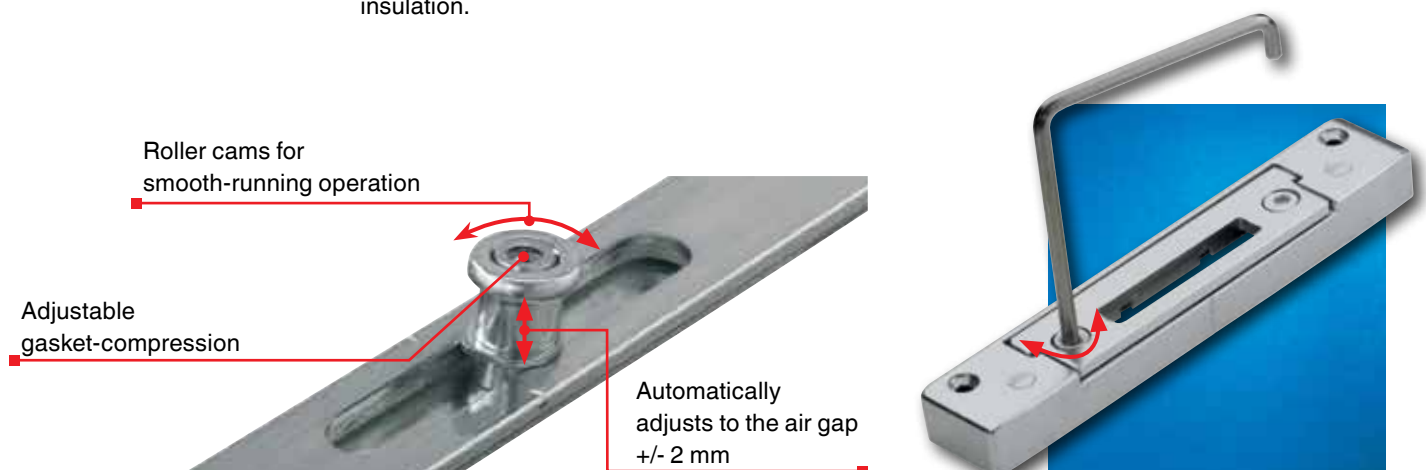
**Too much force can hamper less abled bodies when locking the door.**

Thanks to the adjustment possibilities of the MACO PROTECT doorlock components, there is almost zero resistance when locking the door.

### **Flexible adjustable gasket-compression**

Each of the MACO PROTECT strikers as well as the i.S. security roller cams can be quickly and easily adjusted by way of an eccentric cam to reach the optimal gasket-compression for your door system.

With this you can achieve an ideal combination of smooth operation, impermeability, sound and thermal insulation.





## Tested quality



**Highest quality requirements placed on the MACO PROTECT doorlock product range.**

Ständige Überprüfung der Qualitätsansprüche während und nach der Produktentwicklung im MACO-eigenen Prüfczentrum.



**Tests carried out in accordance with the latest standards on our own test rigs**

- for doorlocks
- for strikers

**Testing equipment for**

- Durability tests for the entire multi point locking system
- Durability tests for individual component groups
- Tests for maximum loads on the doorlock as well as on the strikers
- Surface-finish tests

**The MACO test centre success factors**

- Continuous upgrading and adaptation in line with the latest standards and quality requirements
- Specially trained personnel
- Precise data evaluation
- Ongoing cooperation with certified testing institutes



## Tested security



### **Highest safety requirements placed on the MACO PROTECT doorlock product range.**

Ongoing testing to standards in accordance with the latest, international standards in the MACO test centre.

### **Test centre services**

- interne Prüfungen zur Gewährleistung der Einhaltung des ständig steigenden Qualitäts- und Sicherheitsanspruches
- Weiterentwicklung des sicherheitstechnischen Know-hows
- fachmännische Analysen und Dokumentation der Ergebnisse, die in zukünftige Innovationen einfließen





## Secure against burglary



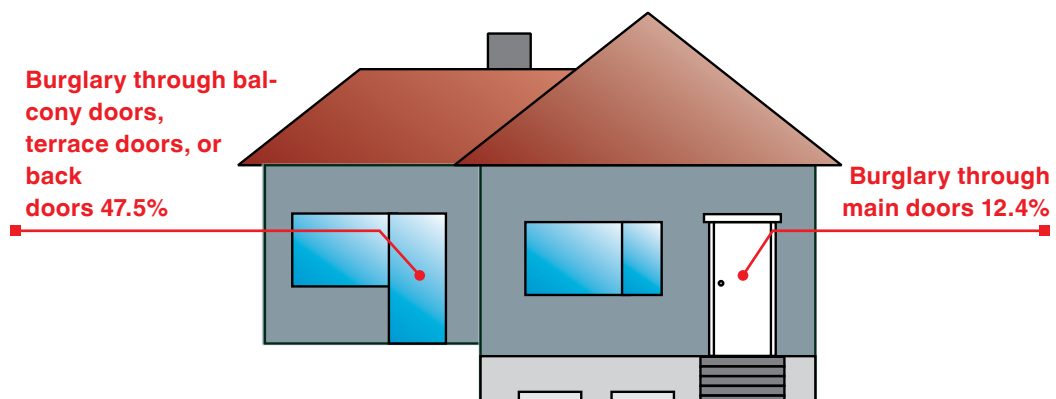
### Who breaks in when and where?

The old saying “opportunity makes thieves” is aimed exactly at opportunist thieves and burglars that prowl during the hours of 12 midday and 8 PM.

According to statistics, burglars main routes are through windows, as well as through balcony doors, terrace doors, back doors, main entrance doors or apartment doors.

### How does one break in?

Burglars with simple tools can open a door relatively quickly. Almost 70 % of burglaries are carried out with a screwdriver with 6 to 12 mm blade width.





## Secure with up to nine locking points



**Rund 60% der Einbrüche erfolgen über Haus-, Nebeneingangs-, Balkon- oder Terrassentüren.**

Up to 9 locking points protect against burglary.  
An insurmountable obstacle for uninvited guests.

## Tested security up to BRG3 ('WK3')



Tested security in accordance with:

- DIN 18251-3
- DIN EN-V 1627-30
- BRG1 ('WK1') up to BRG3 ('WK3')





## i.S. = intelligent security

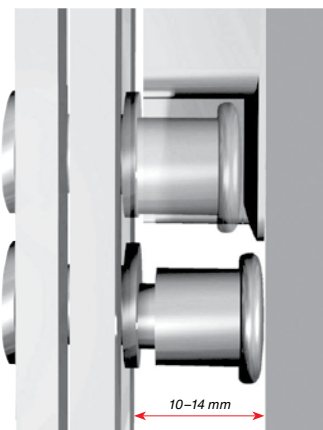


### **Comfort and safety requirements.**

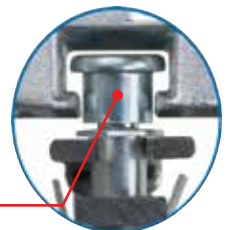
The i.S. security roller cam is the most economical and convenient way to manufacture burglar-inhibiting doors.

### **i.S. – the one and only original!**

- Smooth running thanks to the i.S. security roller cam's rolling function
- High-tensile materials
- Automatic air gap compensation 10 – 14 mm
- No routing necessary
- Fulfills the requirements in accordance with EN-V 1627-30



**i.S. security roller cam:  
Safer grip in the i.S. security  
striker.**



### **i.S. = intelligent security in the door**

i.S. security roller cams have gasket-compression adjustability, sealing your doors, saving costs, creating satisfied customers and distinguishing you from competitors.



## Secure with i.S. security roller cam locking system



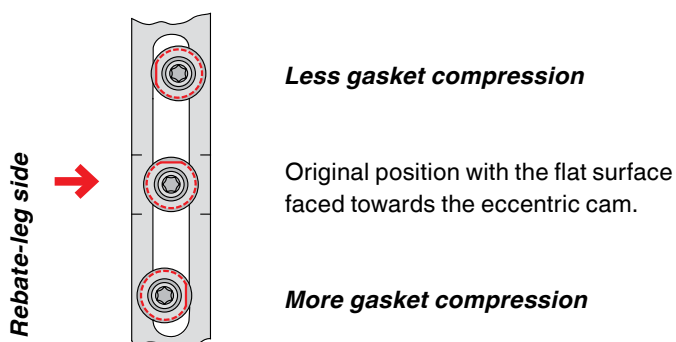
### Constantly increasing security demands on doors.

The i.S. security roller cam is the most advanced way to make your door both secure and impervious.

### i.S. – The original with a high degree of security!

- Innovative security by combining i.S. security roller cams with i.S. security strikers
- Easy gasket-compression adjustment
- Ideal i.S. security striker screw fixing
  - Sloped screw-fixing for timber systems
  - Reinforcement screw fixing on PVC systems

### Gasket-compression adjustment





## Secure with MACO hook&bolt combination

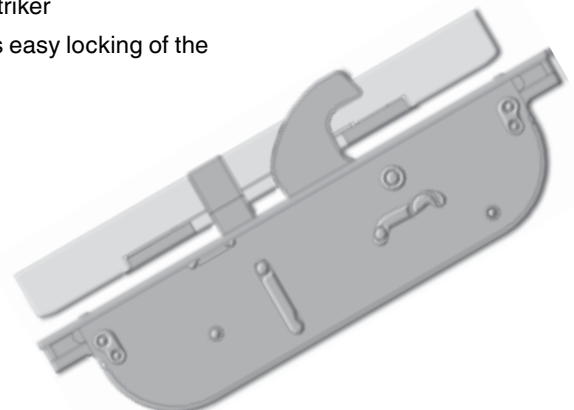


### **Highest possible level of door security.**

The new MACO hook&bolt combination provides maximum security by incorporating the advantages of a solid steel bolt with those of a hook, as well as optimal striker engagement.

### **Hook&bolt combination advantages**

- Only one striker for
  - Hook&bolt
  - Hooks
  - Bolts
  - Additional lock
- Uniform routing thanks to single uniform lockcase with 150 mm length
- Hook engagement up to 11 mm into the striker
- The special shape of the hook/bolt allows easy locking of the door even with high gasket-compression
- The uniform screw-fixing with a distance of 220 mm gives sufficient free space for flexible routing





## Flexibility with MACO hook&bolt combination



### **The locking system of your choice.**

Diese neue Verriegelung ist auch in Haken- bzw. Bolzen-Ausführung erhältlich – dabei wird die jeweils nicht benötigte Ausstanzung im Stulp elegant abgedeckt.

### **Hook&bolt combination advantages**

- Flexibility with standardisation at the same time
- Each cut-out not required is stylishly covered
- Regardless of which locking point version is used, only one combination striker is required



## Ideal retention with the MACO multifunctional latch



### **Even gasket-compression over the entire door height.**

Thanks to the even gasket-compression over the entire door height, the door remains impervious meaning the cold stays outside.

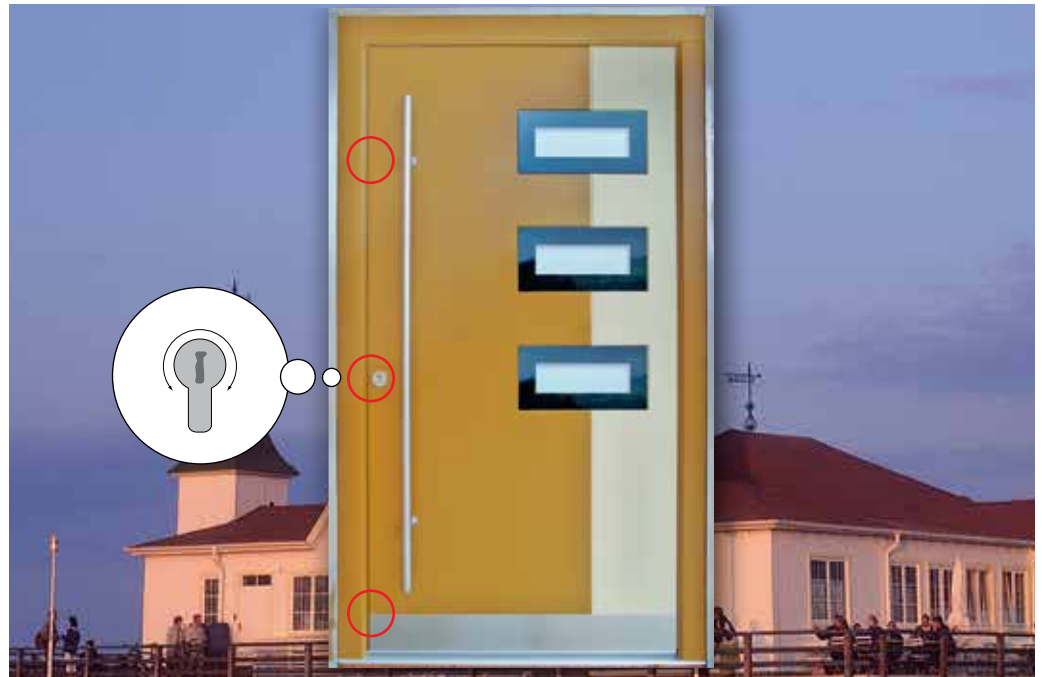


### **Vorteile der Multifunktionsfalle**

- Optimal and permanent gasket-compression over the entire door height
- Infinitely adjustable effective push-back safeguard
- Soft entry of the multifunctional latches into the strikers
- Easy and quiet door closing
- Improved sound and thermal insulation



## The new MACO Z-TF



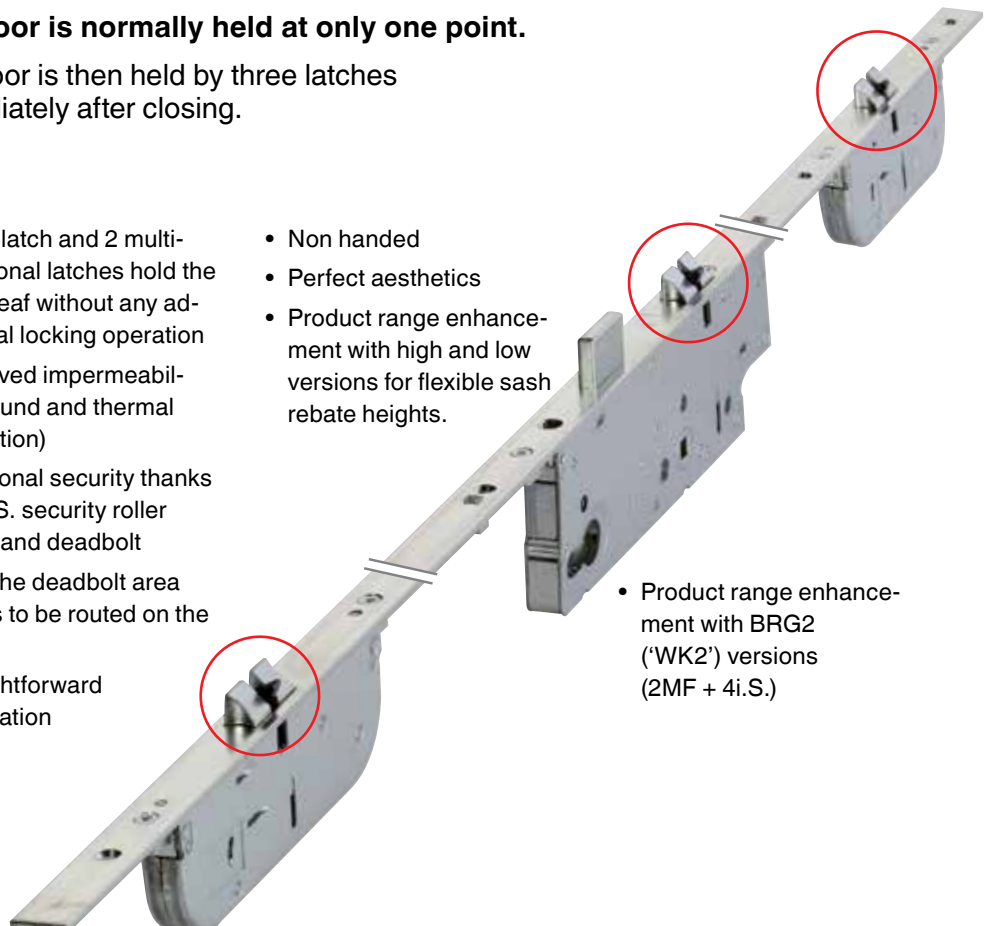
**The door is normally held at only one point.**

The door is then held by three latches immediately after closing.

- 1 soft latch and 2 multi-functional latches hold the door leaf without any additional locking operation
- Improved impermeability (sound and thermal insulation)
- Additional security thanks to 2 i.S. security roller cams and deadbolt
- Only the deadbolt area needs to be routed on the frame
- Straightforward installation

- Non handed
- Perfect aesthetics
- Product range enhancement with high and low versions for flexible sash rebate heights.

- Product range enhancement with BRG2 ('WK2') versions (2MF + 4i.S.)





## The new MACO G-TS MODULE SYSTEM

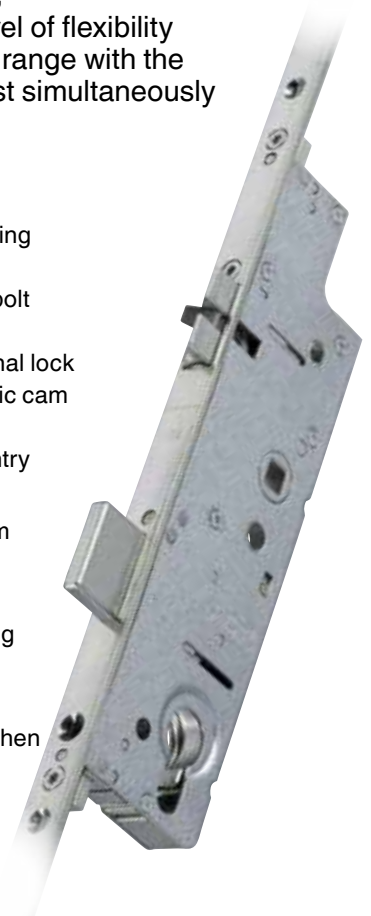
**NEW**



### **New times call for new lock concepts.**

Regardless of how versatile your door lock range is, MACO PROTECT MODULE incorporates a high level of flexibility with standardisation. You can offer a whole product range with the standard lock and different additional modules whilst simultaneously keeping your stock at a minimum.

- High efficiency and cost savings due to low stock-keeping
- Special requests are easier, fast and economical to implement
- Straightforward installation thanks to uniform lockcase heights and screw fixing
- Uniform routing due to single uniform lockcase
- Easy retrofitting on existing doors is possible
- Variable position of the top lock casing
- New flexibility with the locking modules
  - Locking module - Hook&bolt combination
  - Locking module - Additional lock
  - Locking module - Magnetic cam locking for alarm systems
  - Locking module - Door entry guard
- Door heights from 1600 mm up to 3100 mm are easy to implement
- Electrical locking monitoring is easily retrofittable
- The PROTECT MODULE system can also be used when refurbishing existing doors





## The new MACO Z-TS MODULE

**NEW**



### Doorlock basic version Z-TS module.

- 1 Doorlock with locking bolts
- 2 Doorlock with locking hooks
- 3 Doorlock with hook&bolt combination

### Fixed modules for variable door heights.

The doorlock can be easily and seamlessly modified to different door heights thanks to the shortening faceplate, extension faceplate or intermediate faceplate.

- 4 With shortening faceplate: min. SRH 1600 mm
- 5 With extension faceplate: max. SRH 2650 mm
- 6 Additional extension possibilities by using the intermediate faceplate: max. SRH 3100 mm





## The new MACO Z-TS MODULE

**NEW**



**High level of flexibility thanks to the different faceplate modules.**



**Locking module  
Hook&bolt combination**

- Uniform lockcase length
- Hook engagement up to 11 mm into the striker
- Uniform screw fixing
- No individual strikers for hooks or bolts necessary, if the combination striker is used



**Locking module: Additional  
deadlock**

- Lockable via its own profile cylinder
- Uses the same striker as the hook&bolt combination
- Deadbolt equipped with a 20 mm throw with one key turn



**Locking module with magnetic cam**

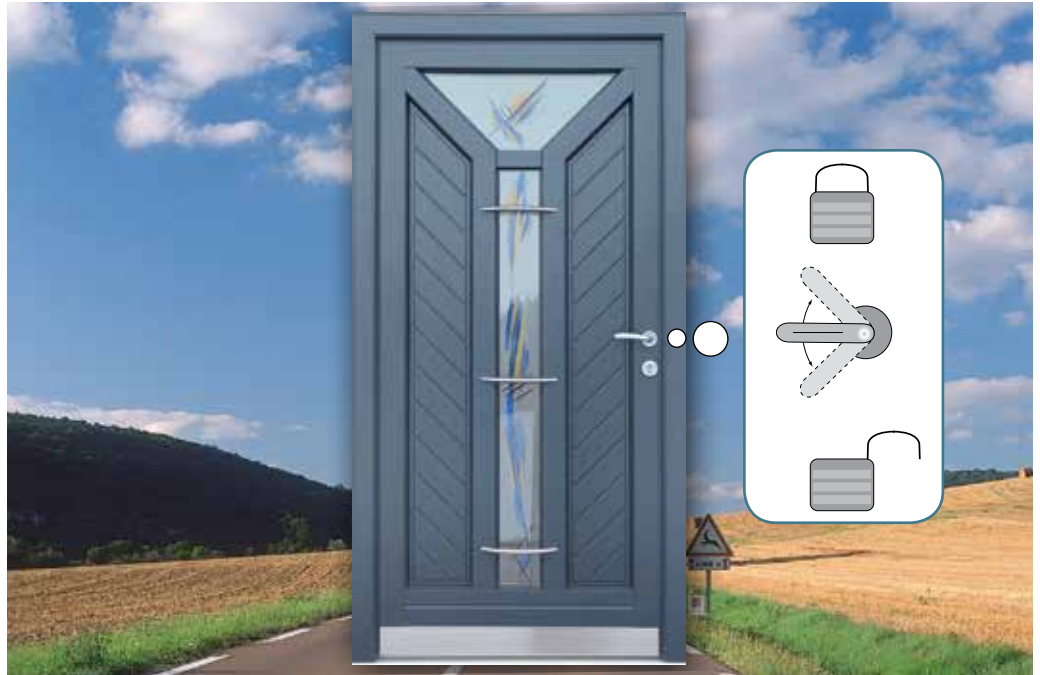
- Easily retrofitted for locking monitoring systems

The complete MODULE brochure can be downloaded from:

[www.maco.at](http://www.maco.at)



## The new MACO G-TS



### The new handle operation.

Die Neuentwicklung der griffbetätigten Mehrpunktverriegelungs-Schlösser komplettiert das PROTECT-Programm und setzt neue Maßstäbe in diesem Schlossegment.

- Locking and unlocking by means of handle operation
- Blocking via cylinder 1 x 360° turn
- Higher loading capacity thanks to improved design.
- Durable and reliable function due to the use of premium materials
- Easy and convenient operation thanks to optimal gear ratio
- Stronger spindle spring for heavy handles
- Easy and quiet closing by means of the standard soft latch
- Low stockkeeping levels as these are non handed





## New latch and deadbolt strikers for PVC systems

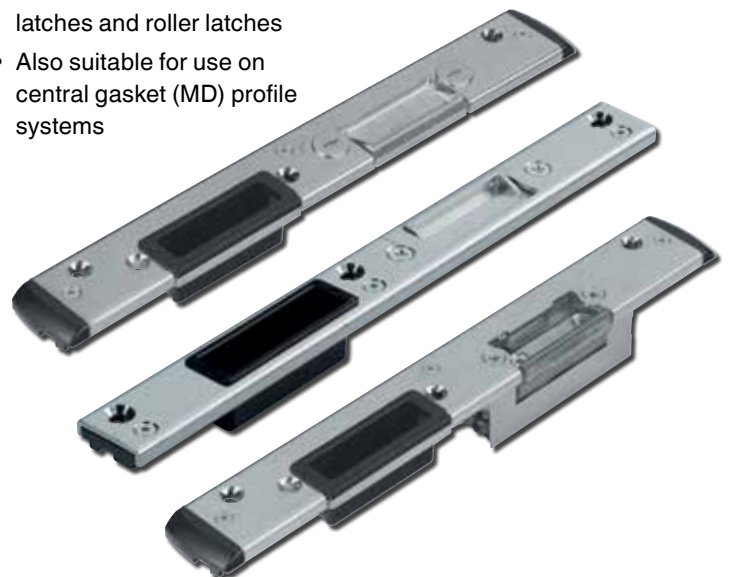


**The diversity of both the PVC profile systems as well as individual solutions require universally applicable latch and deadbolt strikers.**

The new MACO PROTECT latch and deadbolt striker range completely fulfils these requirements.

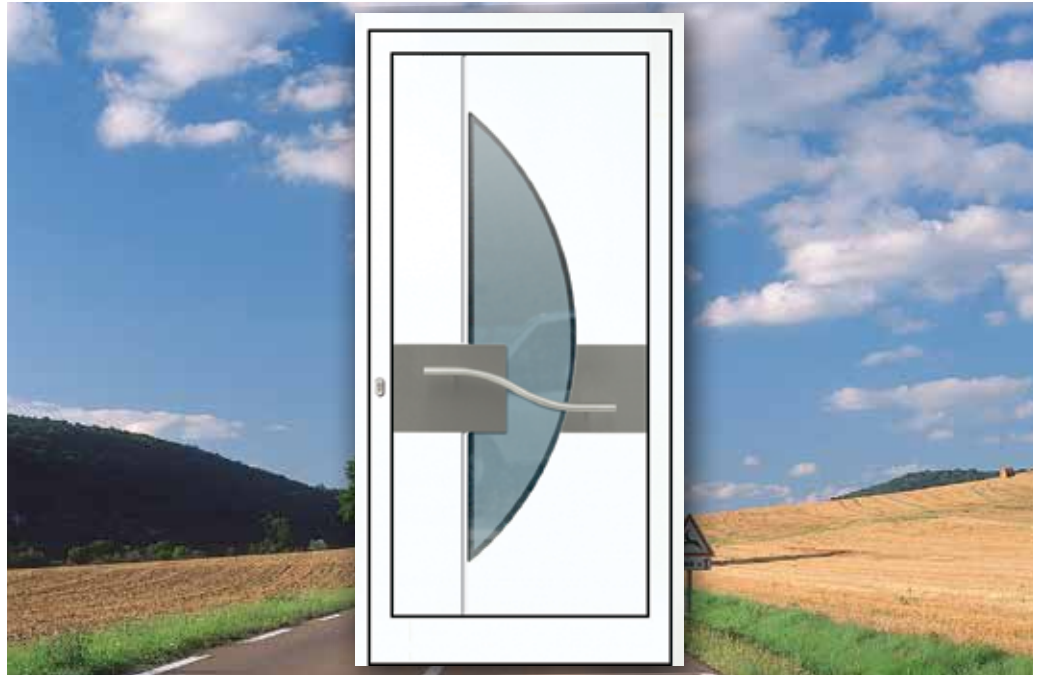
### Latch & deadbolt strikers

- Individual adaptation depending on the profile type
- Secure screw fixing direct into the reinforcement
- Totally secure thanks to the 4 mm steel plate in the deadbolt area
- Profile-related contours for firm and optimal stability of the PROTECT strikers
- Easy gasket-compression adjustment by means of the eccentric cam adjustment
- kein Ausfräsen für den flachen Falleneinsatz notwendig
- Compatible with commercially available electrically operated opening systems.
- Suitable for use with soft latches and roller latches
- Also suitable for use on central gasket (MD) profile systems
- Also suitable for use on systems without a euro-groove





## New striker range for PVC systems



### Modern PVC systems require innovative striker generations.

The new MACO PROTECT striker range provides innovative solutions for your PVC system.

#### Single piece door strikers

- Made of solid U steel profiles
- Protects and supports the door frame over the entire door height
- Makes positioning burglary tools extremely difficult
- The striker screw fixing is carried out directly in the frame profile's reinforcement
- Versions:
  - 4 i.S.
  - 2 Hooks
  - 2 Bolts
  - 2 HO-BO
  - 2 HO-BO+2 I.S.
  - 2 MF+2 I.S.
  - 2 MF+4 I.S.

#### ZA strikers

- **Economical version with optimal security**
- Dual screw fixing direct into the reinforcement
- Profile-related contour for firm and optimal stability of the PROTECT strikers
- Complete product range
- Flexible gasket-compression adjustment
- Pretentious aesthetics
- Easy care

#### U-profile strikers

- **The striker for the highest demands**
- Increased security due to solid steel U-profile
- Quadruple screw fixing into the reinforcement
- Profile-related milled contour for firm and optimal stability of the PROTECT strikers
- Complete product range
- Flexible gasket-compression adjustment
- Excellent aesthetics
- Easy care





## Strikers for timber systems



### **Well-proven systems call for well-proven solutions.**

The MACO PROTECT striker range for timber systems provides the ideal solution.

- Pretentious aesthetics
  - Angled striker plates are compatible with commercially available electrical opening striker plates.
  - Solid support thanks to angled screw fixing
  - Increased security
  - Straightforward, rapid installation
  - Convenient gasket-compression adjustment by means of eccentric cam.
- For all timber systems:**
- 4+9 AG, 10+13 fittings axis
  - 12 AG, 9, 10+13 FA





## Strikers for aluminium systems



### **Tidy appearance and installation for the aluminium sector.**

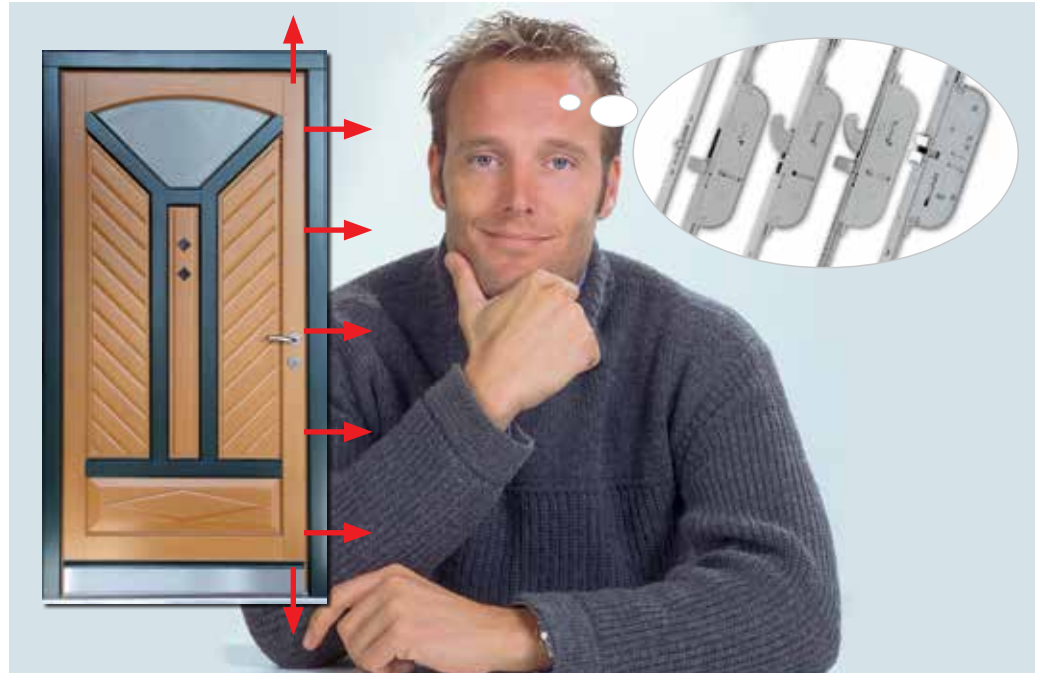
MACO PROTECT aluminium strikers provide ideal solutions for aluminium systems.

- Strikers with 3 and 6 mm overall height are suitable for all applications
- Strikers available for conventional aluminium systems e.g. Schuco, Heroal etc.
- Pretentious aesthetics
- Suitable for use with electrical opening striker-plates





## MACO PROTECT locking point versions



### **Customers wishes can be very different.**

You can fulfil your customers individual requirements lock, stock and barrel with the MACO PROTECT multi point locking system versions.

### **Locking point version**

- A whole range of combination possibilities are facilitated with the lock types with hooks, bolts, i.S. security roller cams and/or hook&bolt combinations
- Up to 9 locking points are possible



## Unbelievably versatile with MACO PROTECT!



### **Individual special shapes need versatile solutions.**

Regardless of which door dimension and which version. PROTECT end pieces secure high doors and PROTECT finger-operated door shootbolts are a practical solution for double-leafed systems.

#### **End pieces**

- SRH of up to 2,585 mm can be achieved
- For G-TS and Z-TS
- The door can be locked up to 7 times with the shootbolt protrusion
- Effective protection against door leaf warping
- Straightforward, rapid installation
- Locking points located near the corners

#### **Finger operated door shootbolt**

- Integrated striker, suitable for use with the end pieces
- Appealing aesthetics
- Ease of use
- New version for PVC profiles

- Easy lever mechanism operation

#### **French casement drive-gear**

- Compatible with the most common locks
- Easy lever mechanism operation





## The MACO B-TV



**Balcony doors, terrace doors, and back doors must be securely locked.**

The B-TV balcony doorlock from MACO ensures secure and convenient locking of balcony doors, terrace doors, and back doors.



### **B-TV MULTI-TREND**

- SRH up to 2,600 mm
- Compatible with MACO MULTI-TREND Turn-Only window fittings
- Corner locking possible
- Increased security with its i.S. = intelligent security
- Well-proven solution for many years

### **B-TV MULTI-MATIC**

- Suitable for automated fabrication
- Has its own appealing face-plate aesthetics
- SRH: 1,701 - 2,450 mm
- Compatible with MACO MULTI-MATIC Turn-Only window fittings

### **B-TV MULTI-TREND fixed (handle height)**

- No cropping necessary
- einfache Montage von Mittelverschlüssen



## One fittings system for all doors



**You decide, which doors you manufacture.  
The MACO doorlock product range adapts!**

MACO's doorlock product range fulfills your demands; both perfectly and reliably.

**Extensive product range.  
It's your choice:**

- Type of doorlock (Z-TS and Z-TF or G-TS)
- Spindle centres
- Backset
- Locking point version
- Strikers
- End pieces
- Faceplate versions
- Surface-finish and much more

**Suitable for timber, PVC and aluminium systems.**

**Many different security levels can easily be implemented.**

**Comprehensively combinable with PROTECT MODULE.**





## Fabrication with MACO PROTECT



**Bei der Auswahl des richtigen Türschlosses zählen nicht nur die Qualität der Produkte, sondern auch die Einfachheit und der Komfort der Verarbeitung.**

During the development of the MACO PROTECT lock range, particular emphasis was placed on the simplicity of fabrication.

### Your special advantages

- Easy striker positioning by means of notches
- Quick, seamless extension of the lock possible
- Non handed
- Continuous doorlock faceplate
- High level of flexibility with MACO PROTECT MODULE





## Fabrication with MACO PROTECT

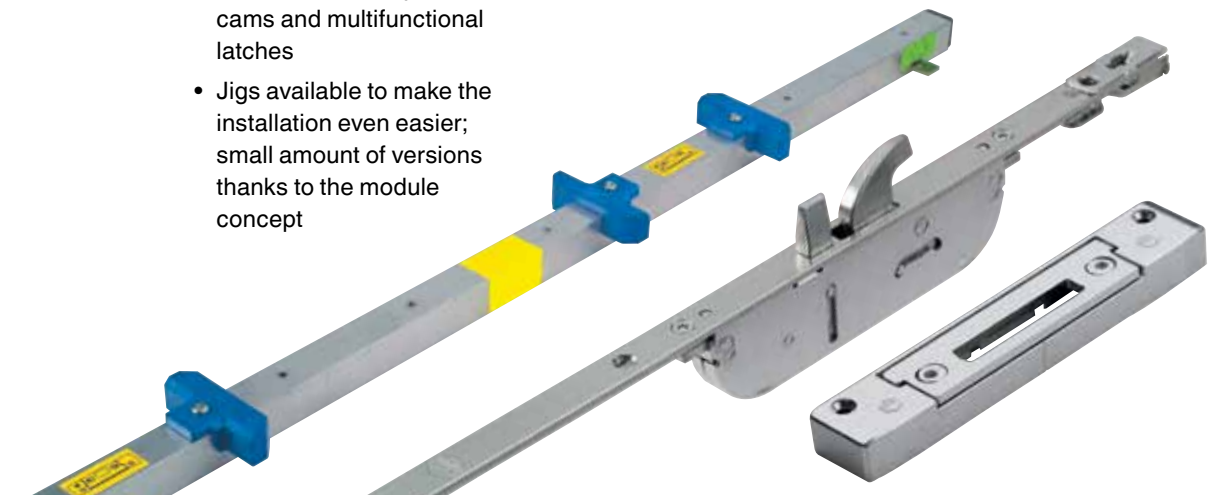


### **Fully developed materials for doorlock installation.**

The extensive accessory range and the design of the MACO PROTECT doorlock range facilitates your work as a fabricator.

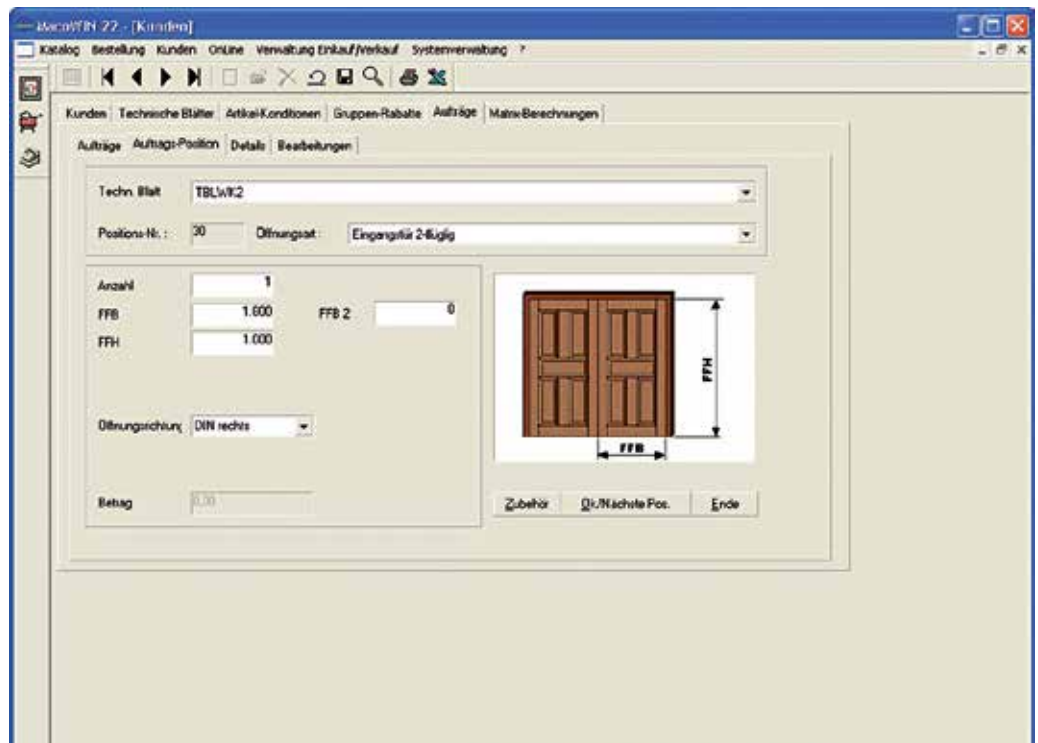
### **Your special advantages**

- Automation possible
- Easy stockkeeping
- Uniform lockcase positions
- No routing necessary for the i.S. security roller cams and multifunctional latches
- Jigs available to make the installation even easier; small amount of versions thanks to the module concept
- High level of flexibility with one standard lock





## MACO service



**High-quality products call for the best possible service.**  
The extensive MACO services allow you time and save costs.

### Your special advantages

- MACO WIN software support to configure your doorlock range
- Easy ordering
- Fittings diagrams for versatile solutions
- All documentation available at: [www.maco-europe.com](http://www.maco-europe.com)
- Technical assistance for system tests
- Sales promotion documentation

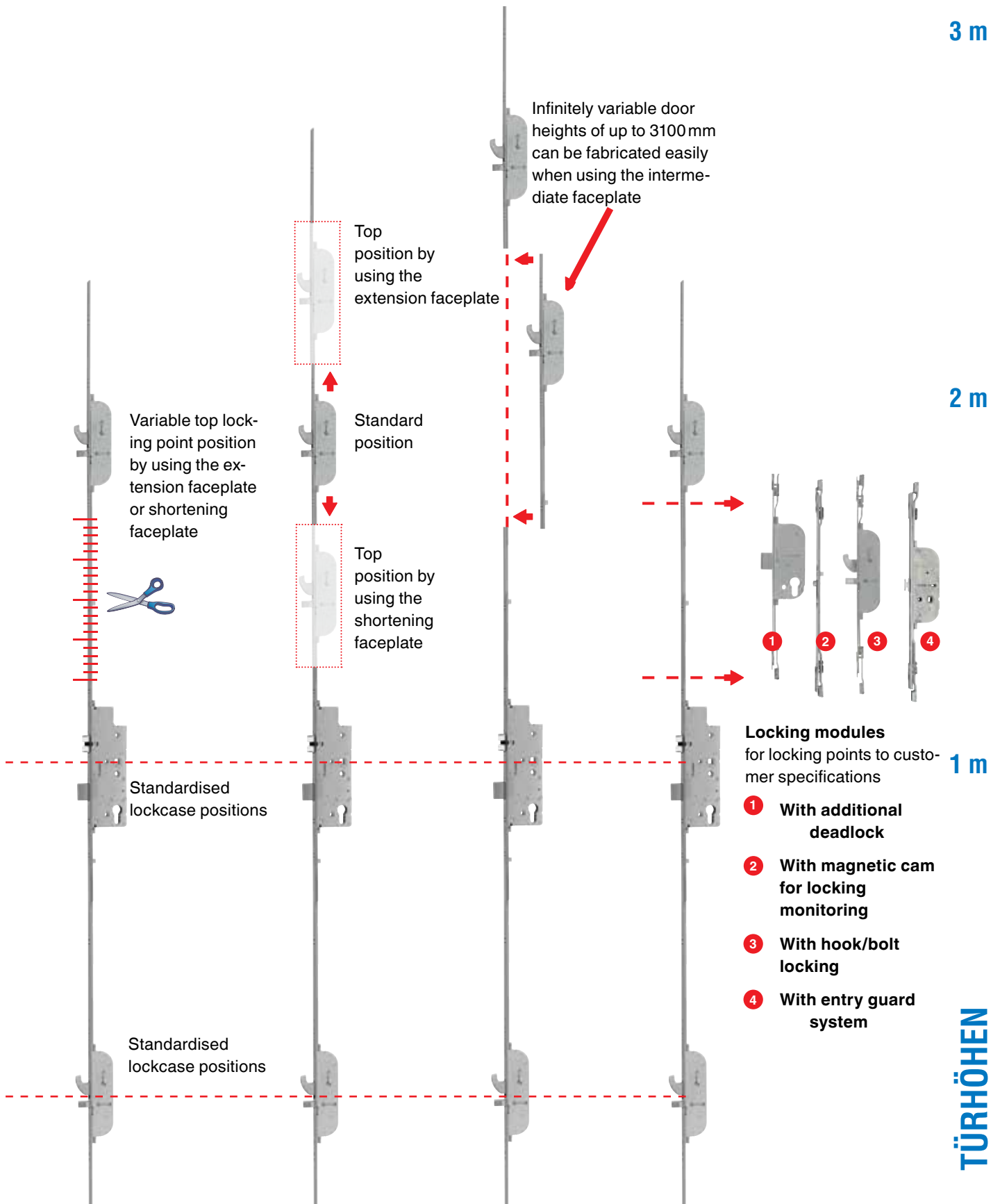


MACO  
PROTECT



# 3,1 m

## The PROTECT MODULE “modular” design



**MACO  
PROTECT**



**MAYER & CO BESCHLÄGE GMBH**  
ALPENSTRASSE 173  
A-5020 SALZBURG  
TEL +43 (0)662 6196-0  
FAX +43 (0)662 6196-1449  
maco@maco.at  
www.maco.at

**MACO DOOR & WINDOW  
HARDWARE(U.K.) LTD**  
EUROLINK INDUSTRIAL CENTRE  
CASTLE ROAD, SITTINGBOURNE  
KENT ME10 3LY  
TEL +44 (0)1795 433900  
FAX +44 (0)1795 433902  
enquiry@macouk.net  
www.macouk.net