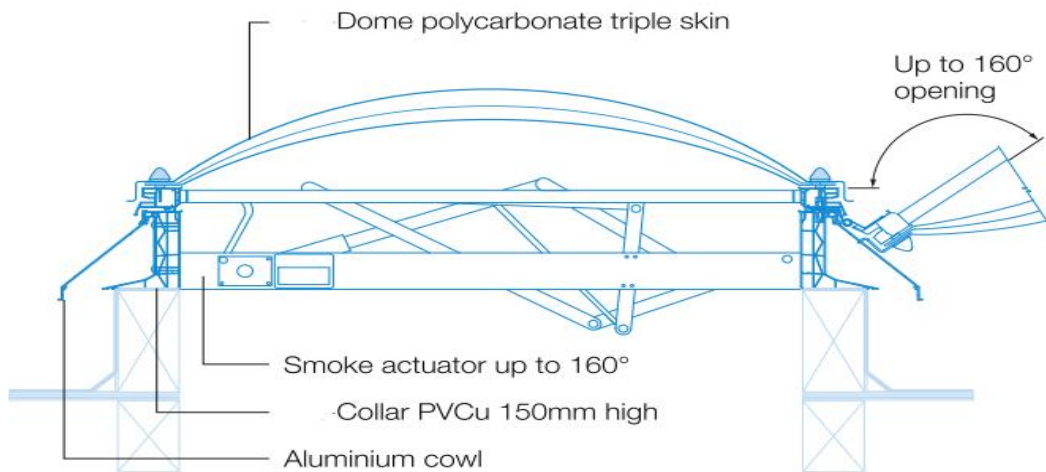


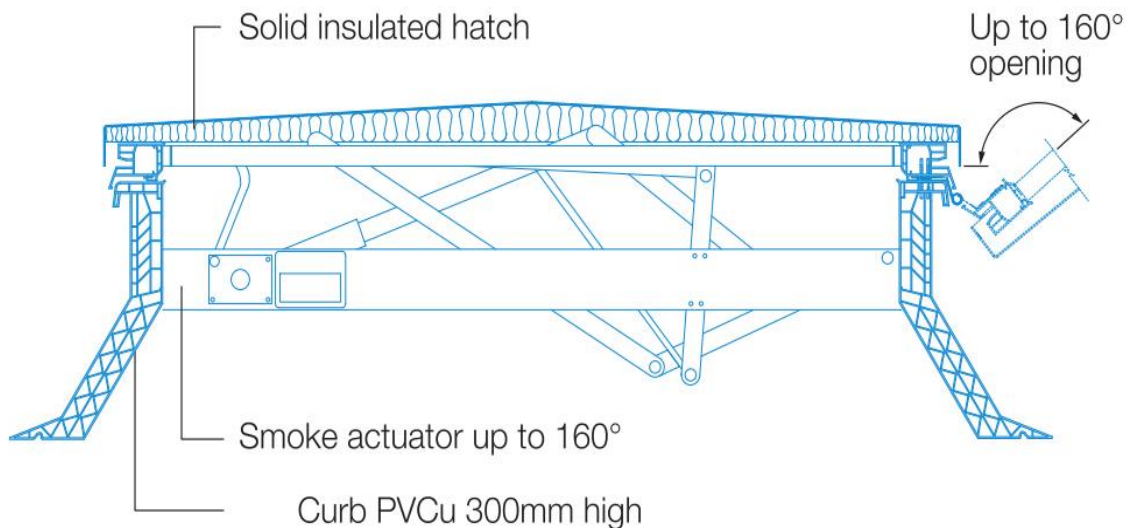
Roofdor SV Data Sheet

Roofdor SV Mounted to Collar



To meet requirements the Roofdor SV must be at least 300mm above finished roof level.

Roofdor SV Mounted to Curb



Roofdor SV Data Sheet

Description

The Roofdor SV are electrically operated smoke vents designed to allow the release of smoke from buildings in the event of a fire, ensuring that key escape routes are kept usable with a minimum smoke build up. They can be supplied with a thermoformed polycarbonate lid, bringing the added benefit of natural daylight into the building or with a fully insulated aluminium cover.

The Roofdor SV opens up to 160° to comply with the new smoke ventilation standard EN 12101. They are electrically or manually operated and fully tested to EN 12101-2.

Accessories

A control panel is available and will provide complete control over the smoke vent by smoke detector, control point or override switch.

Technical Data

Actuator	Roofdor SV
Type	Motorised Linear
Voltage	24DC
Current (With Load)	Max. 4.0 Amp
Opening Angle	Upto 160°
Ambient Operating Temperature	-15°C + 70°C
Operating Time	60 Seconds
Thrust Force	2500 N
Close Force	2500 n
Switching	Electronic Limit
Protection Degree	Min IP54
Product Life	Min 10,000 Comfort Cycles
Weight	25.1kg
Snow Load	500 or 1000 N/m ²
Wind Load	1500 N/m ²

