

Architectural mechanical equipment

Manual controls - Maxi Control



Supplied in polyester powder coated white, silver, brown or black finish to match the chain openers and feature No-back clutches for security and wind loading.

An operator designed for applications requiring maximum range of vents. Ideal for use with larger and heavier windows including multiply windows.

Colors:

- White , Silver, Brown and Black

Part Numbers

Part No. 213240

Handle Part No. 201647

Trust & Traction Force 32kg.

contact us for more details:

8.15 - 16.45 (mon-thurs)

8.15 - 13.15 (fri)

Tel: +44 (0)1268 522861

Fax: +44 (0)1268 282994

www.clearlinearchitectural.com

Kongsberg Automotive

Christopher Martin rd.

Basildon

Essex

SS14 3ES

England

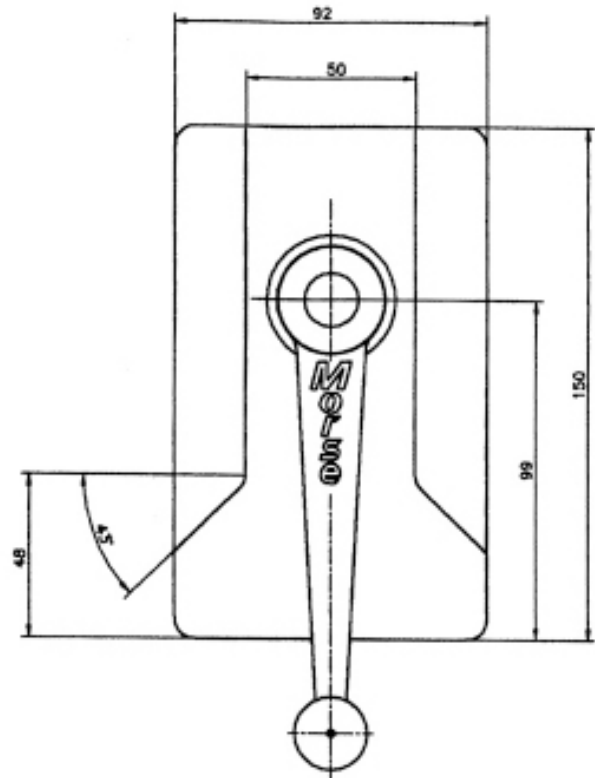
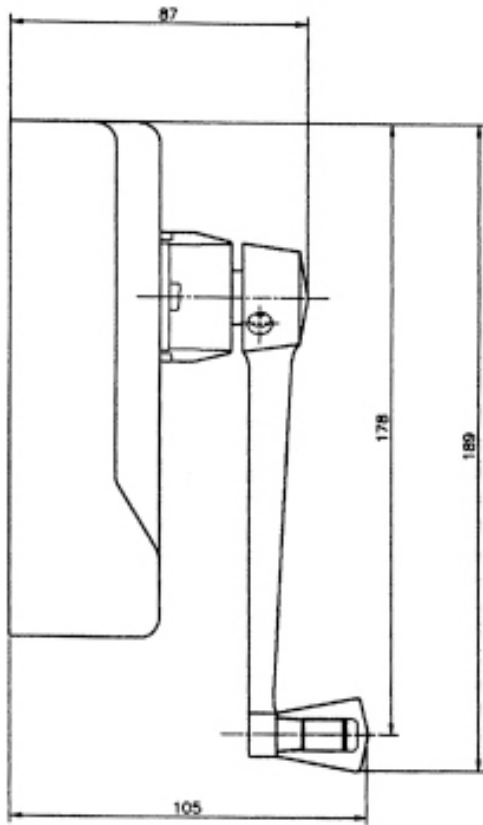


ISSUE DATE: March 09

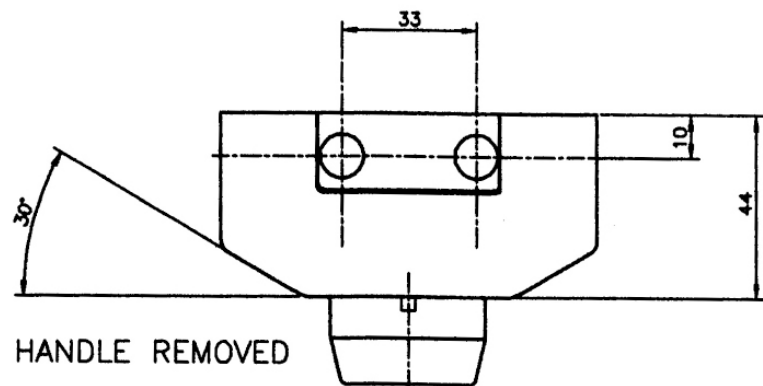
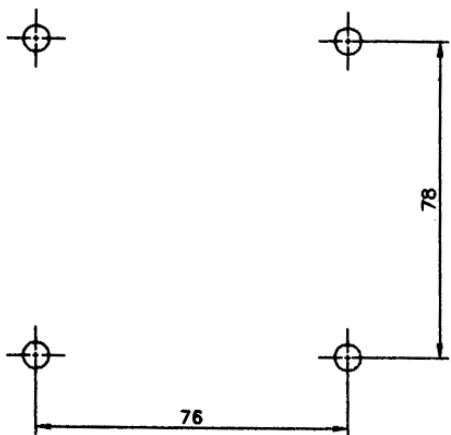
Architectural mechanical equipment

Manual controls - Maxi Control

Technical Specification



Handle 125mm (5")
Width 92.4mm
Length 150.4mm
Box depth 44mm
Overall depth 102.5mm



VIEW WITH HANDLE REMOVED

contact us for more details:

8.15 - 16.45 (mon-thurs)

8.15 - 13.15 (fri)

Tel: +44 (0)1268 522861

Fax: +44 (0)1268 282994

www.clearlinearchitectural.com

Kongsberg Automotive

Christopher Martin rd.

Basildon

Essex

SS14 3ES

England

