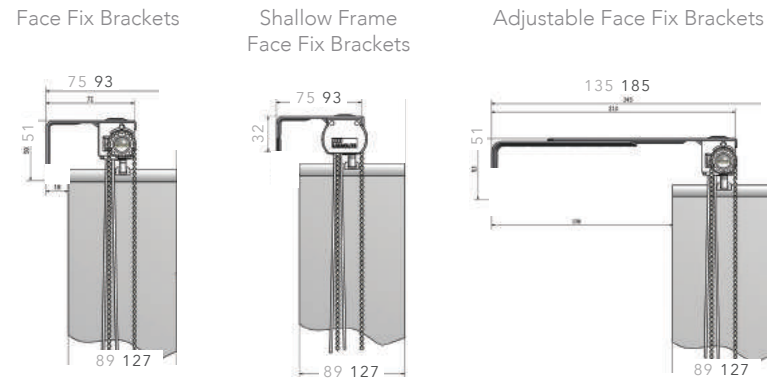


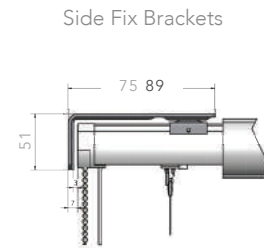
SLIMLINE VOGUE® BRACKET DIMENSIONS

Key: 89mm Louvre Dimensions 127mm Louvre Dimensions

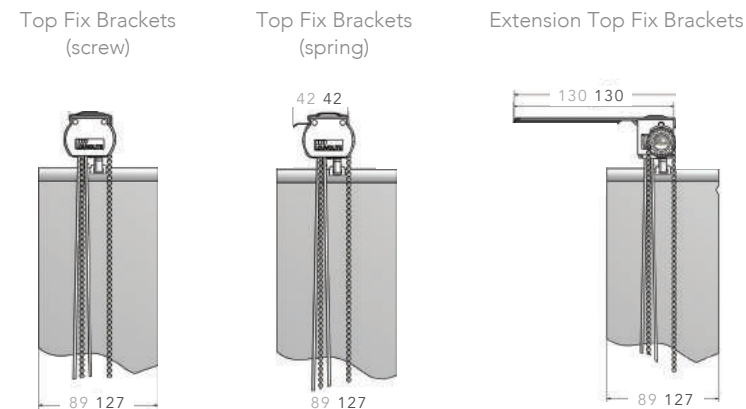
Face Fix Brackets



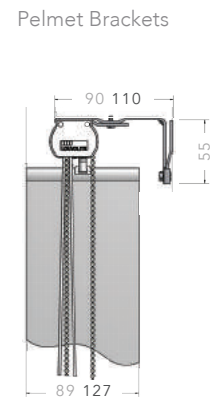
Side Fix Brackets



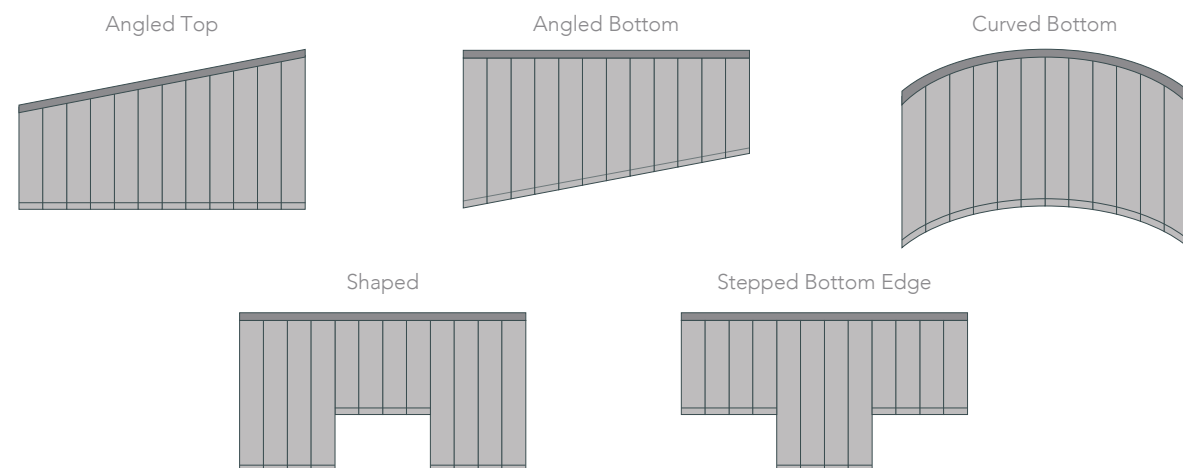
Top Fix Brackets



Pelmet Brackets



SHAPED BLIND OPTIONS



LOUVOLITE SLIMLINE VOGUE® VERTICAL BLIND SYSTEM

- Designed and manufactured in the UK, and has been 10 year life cycle tested to ensure long lasting performance
- Robust and reliable, industry leading vertical blind system
- Sleek, stylish high performance system available in 6 fashionable colours with colour coordinating components
- Made of high quality plastic, stainless steel and aluminium with corrosion resistant finishes
- UV stabilised prime plastics used to guard against ultraviolet degradation
- 5m length (16'3") tracks available for wider windows
- Works on friction and not wheels so a low operating noise
- Self-aligning carrier trucks have limit stops allowing the louvre to rotate to 185° for better closure
- Child safe operating wand option, used in conjunction with a connector plate to distance the wand from the last louvre for neat alignment when the blind is closed
- Slimmer profile end caps for reduced lightstrike and extra privacy
- Equidistant linked carriers with stainless steel links for extra durability



HARDWARE SPECIFICATION

Louvolite Slimline Vogue® Vertical Blind System

Vertical Blinds are manufactured using the Louvolite Slimline Vogue® System with aluminium headrail 38.5mm x 28mm and include Louvolite carrier trucks with UV stabilised self-aligning peg hooks. The operating chain, No 6 size, in plastic or metal to ensure reliable performance.

The brackets used are made from mild steel, zinc plated and powder coated and are suitable for top or face fixing.

The material used for the vertical louvre will be creased and punched so that a Louvolite UV stabilised hanger - also with a hole - can be stitched or welded into the top of the louvre.

General applications

The Slimline Vogue® headrail system provides a contemporary and extremely practical commercial installation and available from approved manufacturers worldwide. It is a robust and reliable system that has been specified for many years. The system is easily fitted and provides an extremely efficient method of light control.

A large range of stylish flame retardant fabrics, and some featuring anti-glare SPC® and blackout coatings make these blinds the ideal choice for projects large or small.

Headrail

The Slimline Vogue® aluminium headrail extrusion is made from prime aluminium and is available in white, black, gold, anthracite grey and brown powder coated or brushed aluminium, which makes it corrosion resistant. Brackets are zinc plated or powder coated and manufactured with a strengthening crease for increased strength and safety.

Carrier Trucks

Manufactured using prime quality plastic materials, this ensures a positive and smooth operation while providing durability and protection from embrittlement and UV rays. UV stabilised louvre hangers are manufactured using Nylon No. 6 plastic.

The gears in the carrier trucks that rotate the louvres are self-aligning with limit stops. This allows louvre rotation to 185°, enabling efficient closure without strain on the mechanism.

The spacing between the carrier trucks is controlled by high-grade stainless steel spacer links. The standard spacing is either 77mm for 89mm louvres or 115mm for 127mm louvres, although alternative size options are available for equidistant louvre spacing.

Operation

Operation is by either No 6 size chain or a tilt and draw wand control.

Slimline Vogue® tracks are smooth running and robust. The components are made in aluminium, prime plastic or stainless steel and the design of the components minimise damage caused by operator misuse.

All blinds must be compliant with the child safety elements of BS EN13120. Where children maybe present, the chain must be fitted with cord tidy devices.

Maintenance

All of the Slimline Vogue® components are manufactured using aluminium, plastic or stainless steel. They do not present any corrosion problems in normal environments. The system has been designed for smooth operation, together with a rigidity to prolong the window blind's working life. However any damage which does occur can normally be rectified on site.

Louvres

Available as 89mm or 127mm width. All louvres are weighted and interlinked, front and back with ball and 'C' clip connectors.



Your Louvolite Slimline Vogue® Distributor:

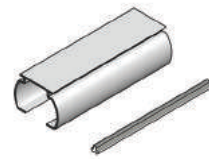


Manufactured in the UK

CISIB 1976 reference by SIB Agency		
(76.7)	X	

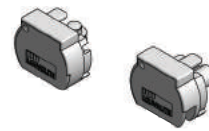
SLIMLINE VOGUE® COMPONENTS

Headrail Section & Tilt Rod



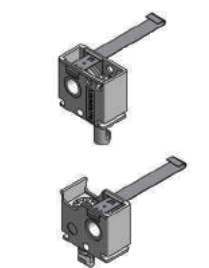
Headrail Section and Tilt Rod
Product specification
 100% aluminium
 Dimensions: 38.5mm (1½") x 28mm (11/8")
 Lengths: 5m (5.5 yard) maximum
 Colour: ice white, espresso brown, brushed aluminium, anthracite grey, champagne gold or piano black.
 Tilt Rod Colour: aluminium

End Cap Sets



Product specification
 Nylon
 Dimensions: 38.5mm (1½") x 27.34mm (1 1/8")
 Colour: white, brown, grey or black

Carrier Trucks

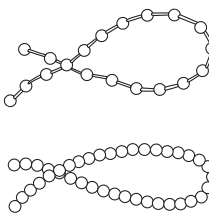


Spade Hook - self-aligning
 89mm or 127mm
 For use with stainless steel spacer links

Spade Hook - fixed gear
 89mm or 127mm
 For use with stainless steel spacer links

Product specification
 Truck body: nylon, link: stainless steel
 Dimensions: 24mm x 32mm x 12mm
 Colour: white, brown or grey

Chain



Available in nickel plated brass, stainless steel or plastic. The pitch of the operating chain is designed to provide a smooth and silent operation. Available in a variety of colours, each chain system has a variety of connector units to allow for child safe operation where required.

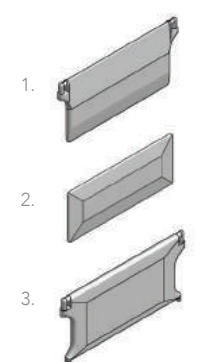
Product specification
 Acetal ball - colour: white or brown
 Zinc plated - colour: silver or gold
 Stainless steel

Stabilising Chain with C Clip



Product specification
 Plastic
 Sizes: 89mm, 127mm and 50mm/63mm
 Colour: white, black or beige

Louvre Ballast Weights



1. Ballast Weights, Moulded, Compact
 89mm, 127mm
Product specification
 Colour: white, beige or black

2. Ballast Weights, Moulded, Plain
 89mm, 127mm
Product specification
 Colour: white

3. Ballast Weights, Moulded, Standard
 89mm, 127mm
Product specification
 Colour: white

Bracket Options

2 Brackets required for blinds up to 1m width, 1 further bracket required for every additional metre.

1. Face fix brackets

89mm or 127mm
Product specification
 Mild steel, zinc plated and powder coated
 Colour: white, brown or silver
 Dimensions:
 For 89mm (3½") louvres
 20mm (¾") x 51mm (2") x 75mm (3")
 For 127mm (5") louvres
 20mm (¾") x 51mm (2") x 93mm (3½")

2. Shallow frame face fix brackets,

89mm or 127mm
Product specification
 Mild steel, zinc plated and powder coated
 Colour: white, brown or silver
 Dimensions:
 For 89mm (3½") louvres
 45mm (1½") x 32mm (1¼") x 75mm (3")
 For 127mm (5") louvres
 45mm (1½") x 32mm (1¼") x 93mm (3½")

3. Top fix brackets, screw

Product specification
 Mild steel, zinc plated and powder coated
 Colour: white, brown or silver
 Dimensions:
 25mm (1") x 10mm (3/8") x 32mm (1¼")

4. Top fix brackets, spring

Product specification
 Mild steel, zinc plated and powder coated
 Colour: white, brown or silver
 Dimensions:
 25mm (1") x 10mm (3/8") x 42mm (1½")

5. Adjustable face fix brackets

135mm - 185mm or 170mm - 225mm
Product specification
 Mild steel, zinc plated and powder coated
 Colour: white, brown or silver
 Dimensions:
 short arm 20mm (¾") x 51mm (2") x 135 - 185mm (5¼" - 7¼")
 long arm 20mm (¾") x 51mm (2") x 170 - 225mm (6¾" - 8¾")

6. Extension Top fix brackets

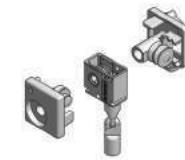
Product specification
 Mild steel, zinc plated and powder coated
 Colour: white, brown or silver
 Dimensions:
 short arm 20mm (¾") x 130mm (5 1/8")
 long arm 20mm (¾") x 165mm (6½")

7. Side fix brackets

89mm or 127mm
Product specification
 Mild steel, zinc plated and powder coated
 Colour: white, brown or silver
 Dimensions:
 For 89mm (3½") louvres
 20mm (¾") x 51mm (2") x 75mm (3")
 For 127mm (5") louvres
 20mm (¾") x 51mm (2") x 89mm (3½")

8. Pelmet brackets

89mm or 127mm
Product specification
 Colour: silver
 Dimensions:
 For 89mm (3½") louvres
 55mm (2 1/8") x 20mm (¾") x 90mm (3½")
 For 127mm (5") louvres
 55mm (2 1/8") x 20mm (¾") x 110mm (4¼")



Slimline Vogue® Monocommand®

Alternative wand control - Child Safety Product

Product specification
 Colour: white, grey, brown or black

Slimline Vogue® Monocommand® Wand



Available in lengths: 800mm, 1200mm or 2000mm

Product specification
 Painted Aluminium
 Colour: white, grey, brown or black

Cord Weights

Available in Standard 80g, Teardrop 76g



Product specification
 Colour: white or light grey

Cord Tidy

Double Cord & Chain Tidy

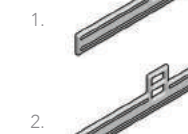


Product specification
 Colour: white, brown, black or clear

Louvre Inserts

1. Single Slotted Hole

Plastic
 50mm, 63mm, 89mm, 127mm: White
 89mm, 127mm: Black



2. Double Slotted Hole

Plastic
 89mm, 127mm

Product specification
 Colour: white

SLIMLINE VOGUE® HEADRAIL COLOURS



ICE WHITE



BRUSHED ALUMINIUM



PIANO BLACK



CHAMPAGNE GOLD



ESPRESSO BROWN



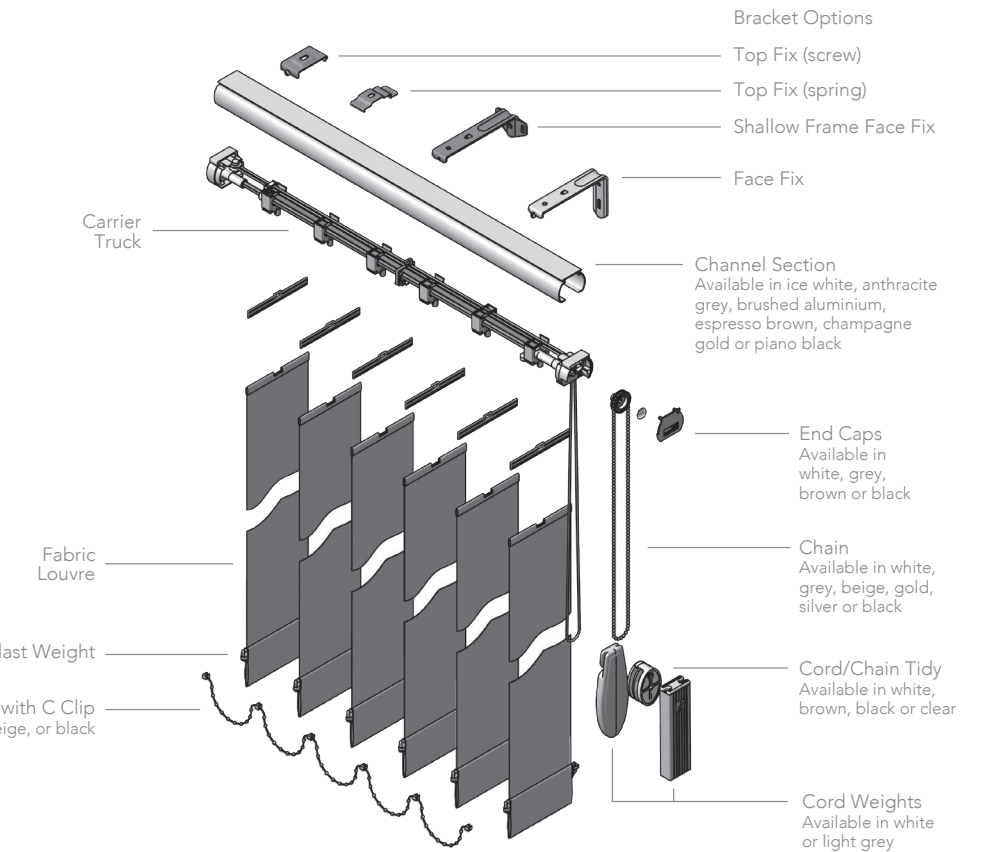
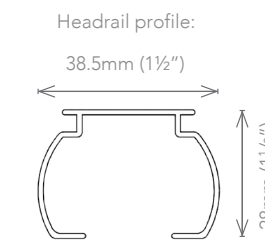
ANTHRACITE GREY

BUNCHING OPTIONS AND STACKING DISTANCES

	BUNCHING	89MM (3½") LOUVRES	127MM (5") LOUVRES
	One way	225mm (8¾") for 1st metre (3'3") width of blind. 175mm (7") for each additional metre	190mm (7½") for 1st metre (3'3") width of blind. 115mm (4½") for each additional metre
	Split	225mm (8¾") for 1st metre (3'3") width of blind. 175mm (7") for each additional metre	135mm (5½") for 1st metre (3'3") width of blind. 55mm (2¼") for each additional metre
	Centre	165mm (6½") for 1st metre (3'3") width of blind. 165mm (6½") for each additional metre	115mm (4½") for 1st metre (3'3") width of blind. 115mm (4½") for each additional metre

SLIMLINE VOGUE® VERTICAL BLIND SYSTEM

With Cord & Chain Operation



SLIMLINE VOGUE® VERTICAL BLIND SYSTEM

With Monocommand Wand Operation

