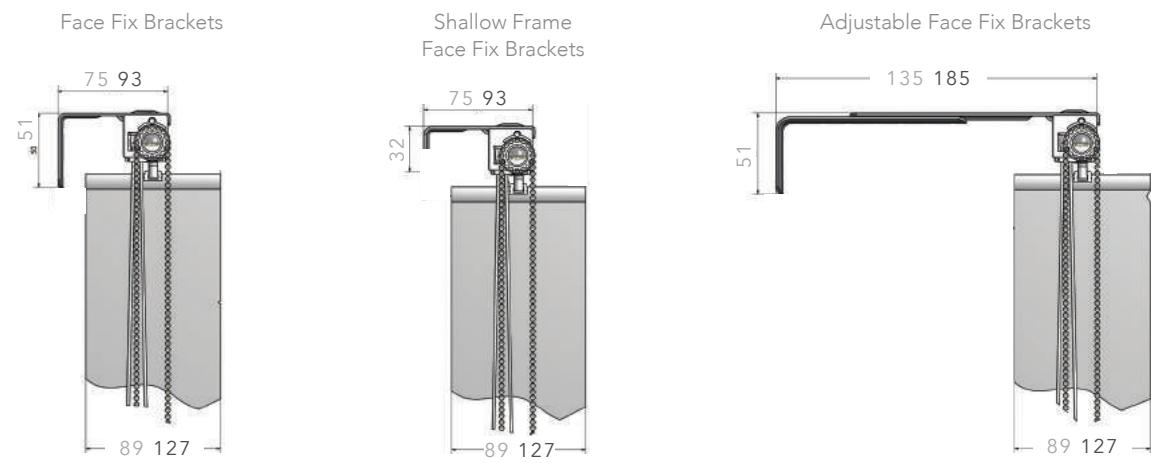


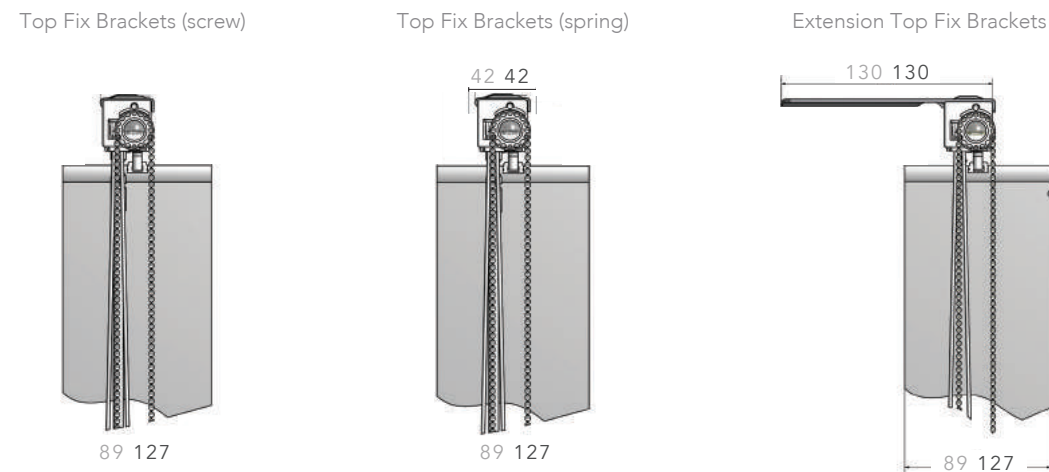
# SLIMLINE® BRACKET DIMENSIONS

Key: 89mm Louvre Dimensions 127mm Louvre Dimensions

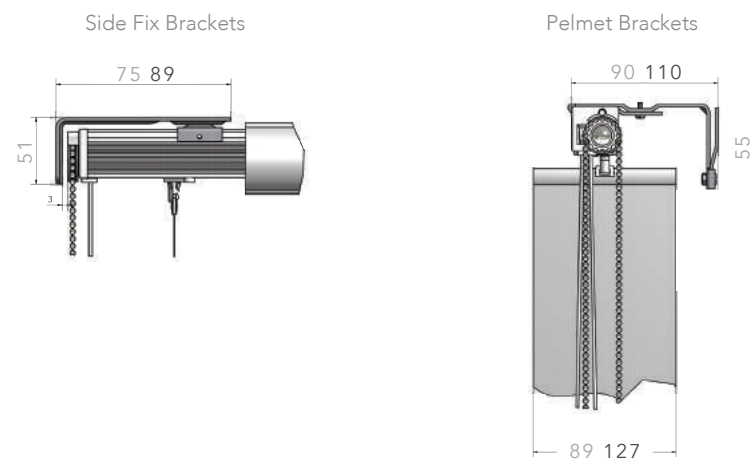
## Face Fix Brackets



## Top Fix Brackets



## Side Fix Brackets & Pelmet Brackets



# LOUVOLITE SLIMLINE® VERTICAL BLIND SYSTEM

- Designed and manufactured in the UK, and has been 10 year life cycle tested to ensure long lasting performance
- Robust and reliable, industry leading vertical blind system
- Made of high quality plastic, stainless steel and aluminium with corrosion resistant finishes
- UV stabilised prime plastics used to guard against ultraviolet degradation
- 5m length (16'3") headrails available for wider windows
- Works on friction and not wheels so a low operating noise
- Self-aligning carrier trucks have limit stops allowing the louvre to rotate to 185° for better closure
- Child safe operating wand option, used in conjunction with a connector plate to distance the wand from the last louvre for neat alignment when the blind is closed
- Unique equidistant linked carriers with stainless steel links for extra durability



# HARDWARE SPECIFICATION

## Louvolite Slimline® Vertical Blind System

Vertical Blinds are manufactured using the Louvolite Slimline® System with aluminium headrail 29mm x 28mm and include Louvolite carrier trucks with UV stabilised self-aligning peg hooks. The operating chain, No 6 size, in plastic or metal to ensure reliable performance.

The brackets used are made from mild steel, zinc plated and powder coated and are suitable for top or face fixing.

The material used for the vertical louvre will be creased and punched so that a Louvolite UV stabilised hanger - also with a hole - can be stitched or welded into the top of the louvre.

## General applications

The Slimline® headrail system provides a contemporary and extremely practical commercial installation and available from approved manufacturers worldwide. It is a robust and reliable system that has been specified for over 30 years. The system is easily fitted and provides an extremely efficient method of light control.

A large range of stylish flame retardant fabrics, and some featuring anti-glare SPC® and blackout coatings make these blinds the ideal choice for projects large or small.

## Headrail

The Slimline® aluminium headrail extrusion is made from prime aluminium and is available in white and brown powder coated or silver anodised, which makes it corrosion resistant. Brackets are zinc plated or powder coated and manufactured with a strengthening crease for increased strength and safety.

## Carrier Trucks

Manufactured using prime quality plastic materials, this ensures a positive and smooth operation while providing durability and protection from embrittlement and UV rays. UV stabilised louvre hangers are manufactured using Nylon No. 6 plastic.

The gears in the carrier trucks that rotate the louvres are self-aligning with limit stops. This allows louvre rotation to 185°, enabling efficient closure without strain on the mechanism.

The spacing between the carrier trucks is controlled by high-grade stainless steel spacer links. The standard spacing is either 77mm for 89mm louvres or 115mm for 127mm louvres, although alternative size options are available for equidistant louvre spacing.

## Operation

Operation is by either No 6 size chain or a

tilt and draw wand control.

Slimline® tracks are smooth running and robust. The components are made in aluminium, prime plastic or stainless steel and the design of the components minimise damage caused by operator misuse.

All blinds must be compliant with the child safety elements of BS EN13120. Where children may be present, the chain must be fitted with cord tidy devices.

## Maintenance

All of the Slimline® components are manufactured using aluminium, plastic or stainless steel. They do not present any corrosion problems in normal environments. The system has been designed for smooth operation, together with a rigidity to prolong the window blind's working life. However any damage which does occur can normally be rectified on site.

## Louvres

Available as 89mm or 127mm width. All louvres are weighted and interlinked, front and back with ball and 'C' clip connectors.



Your Louvolite Slimline® Distributor:



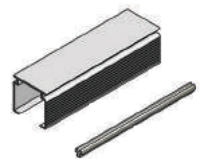
Manufactured in the UK

CV/SIB 1976 reference by SIB Agency

(76.7) X

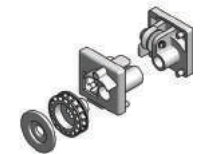
# SLIMLINE® COMPONENTS

## Headrail Section & Tilt Rod



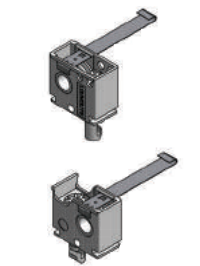
**Headrail Section and Tilt Rod**  
**Product specification**  
 100% aluminium  
 Dimensions: 29mm (1 1/8") x 28mm (1 1/8")  
 Lengths: 5m (5.5 yard) maximum  
 Colour: white, brown or brushed aluminium  
 Tilt Rod Colour: Aluminium

## End Cap Sets



**Product specification**  
 Nylon  
 Dimensions: 38.5mm (1 9/16") x 27.34mm (1 1/8")  
 Colour: white, brown or grey

## Carrier Trucks

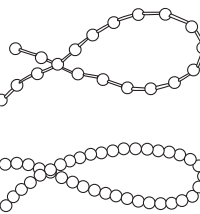


**Spade Hook - self-aligning**  
 89mm or 127mm  
 For use with stainless steel spacer links

**Spade Hook - fixed gear**  
 89mm or 127mm  
 For use with stainless steel spacer links

**Product specification**  
 Truck body: nylon, link: stainless steel  
 Dimensions: 24mm x 32mm x 12mm  
 Colour: white, brown or grey

## Chain



Available in nickel plated brass, stainless steel or plastic. The pitch of the operating chain is designed to provide a smooth and silent operation. Available in a variety of colours, each chain system has a variety of connector units to allow for child safe operation where required.

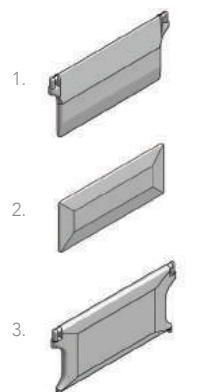
**Product specification**  
 Acetal ball - colour: white or brown  
 Zinc plated - colour: silver or gold  
 Stainless steel

## Stabilising Chain with C Clip



**Product specification**  
 Plastic  
 Sizes: 89mm, 127mm and 50mm/63mm  
 Colour: white, black or beige

## Louvre Ballast Weights



**1. Ballast Weights, Moulded, Compact**  
 89mm, 127mm  
**Product specification**  
 Colour: white, beige or black

**2. Ballast Weights, Moulded, Plain**  
 89mm, 127mm  
**Product specification**  
 Colour: white

**3. Ballast Weights, Moulded, Standard**  
 89mm, 127mm  
**Product specification**  
 Colour: white

## Bracket Options

2 Brackets required for blinds up to 1m width, 1 further bracket required for every additional metre.

### 1. Face fix brackets

89mm or 127mm  
**Product specification**  
 Mild steel, zinc plated and powder coated  
 Colour: white, brown or silver  
 Dimensions:  
 For 89mm (3 1/2") louvres  
 20mm (3/4") x 51mm (2") x 75mm (3")  
 For 127mm (5") louvres  
 20mm (3/4") x 51mm (2") x 93mm (3 1/2")

### 2. Shallow frame face fix brackets,

89mm or 127mm  
**Product specification**  
 Mild steel, zinc plated and powder coated  
 Colour: white, brown or silver  
 Dimensions:  
 For 89mm (3 1/2") louvres  
 45mm (1 1/2") x 32mm (1 1/4") x 75mm (3")  
 For 127mm (5") louvres  
 45mm (1 1/2") x 32mm (1 1/4") x 93mm (3 1/2")

### 3. Top fix brackets, screw

**Product specification**  
 Mild steel, zinc plated and powder coated  
 Colour: white, brown or silver  
 Dimensions:  
 25mm (1") x 10mm (3/8") x 32mm (1 1/4")

### 4. Top fix brackets, spring

**Product specification**  
 Mild steel, zinc plated and powder coated  
 Colour: white, brown or silver  
 Dimensions:  
 25mm (1") x 10mm (3/8") x 42mm (1 5/8")

### 5. Adjustable face fix brackets

135mm - 185mm or 170mm - 225mm  
**Product specification**  
 Mild steel, zinc plated and powder coated  
 Colour: white, brown or silver  
 Dimensions:  
 short arm 20mm (3/4") x 51mm (2") x 135 - 185mm (5 1/4" - 7 1/4")  
 long arm 20mm (3/4") x 51mm (2") x 170 - 225mm (6 3/4" - 8 3/4")

### 6. Extension Top fix brackets

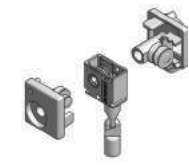
**Product specification**  
 Mild steel, zinc plated and powder coated  
 Colour: white, brown or silver  
 Dimensions:  
 short arm 20mm (3/4") x 130mm (5 1/8")  
 long arm 20mm (3/4") x 165mm (6 1/2")

### 7. Side fix brackets

89mm or 127mm  
**Product specification**  
 Mild steel, zinc plated and powder coated  
 Colour: white, brown or silver  
 Dimensions:  
 For 89mm (3 1/2") louvres  
 20mm (3/4") x 51mm (2") x 75mm (3")  
 For 127mm (5") louvres  
 20mm (3/4") x 51mm (2") x 89mm (3 1/2")

### 8. Pelmet brackets

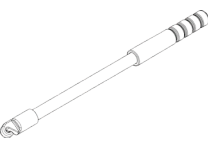
89mm or 127mm  
**Product specification**  
 Colour: silver  
 Dimensions:  
 For 89mm (3 1/2") louvres  
 55mm (2 1/8") x 20mm (3/4") x 90mm (3 1/2")  
 For 127mm (5") louvres  
 55mm (2 1/8") x 20mm (3/4") x 110mm (4 1/4")



## Slimline® Monocommand®

Alternative wand control - Child Safety Product

**Product specification**  
 Colour: white, grey or brown



## Slimline® Monocommand® Wand

Available in lengths: 800mm, 1200mm or 2000mm

**Product specification**  
 Painted Aluminium  
 Colour: white, grey, brown or black

## Cord Weights

Available in Standard 80g, Teardrop 76g

**Product specification**  
 Colour: white or light grey



## Cord Tidy

Double Cord & Chain Tidy

**Product specification**  
 Colour: white, brown, black or clear

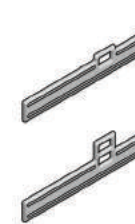


## Louvre Inserts

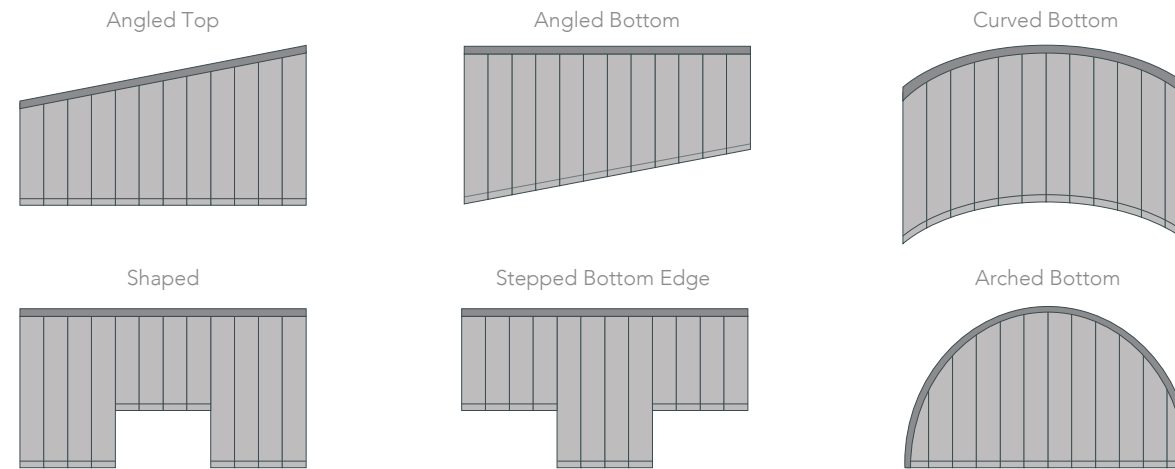
**1. Single Slotted Hole**  
 Plastic  
 50mm, 63mm, 89mm, 127mm: White  
 89mm, 127mm: Black

**2. Double Slotted Hole**  
 Plastic  
 89mm, 127mm

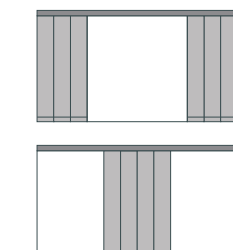
**Product specification**  
 Colour: white



## SHAPED BLIND OPTIONS

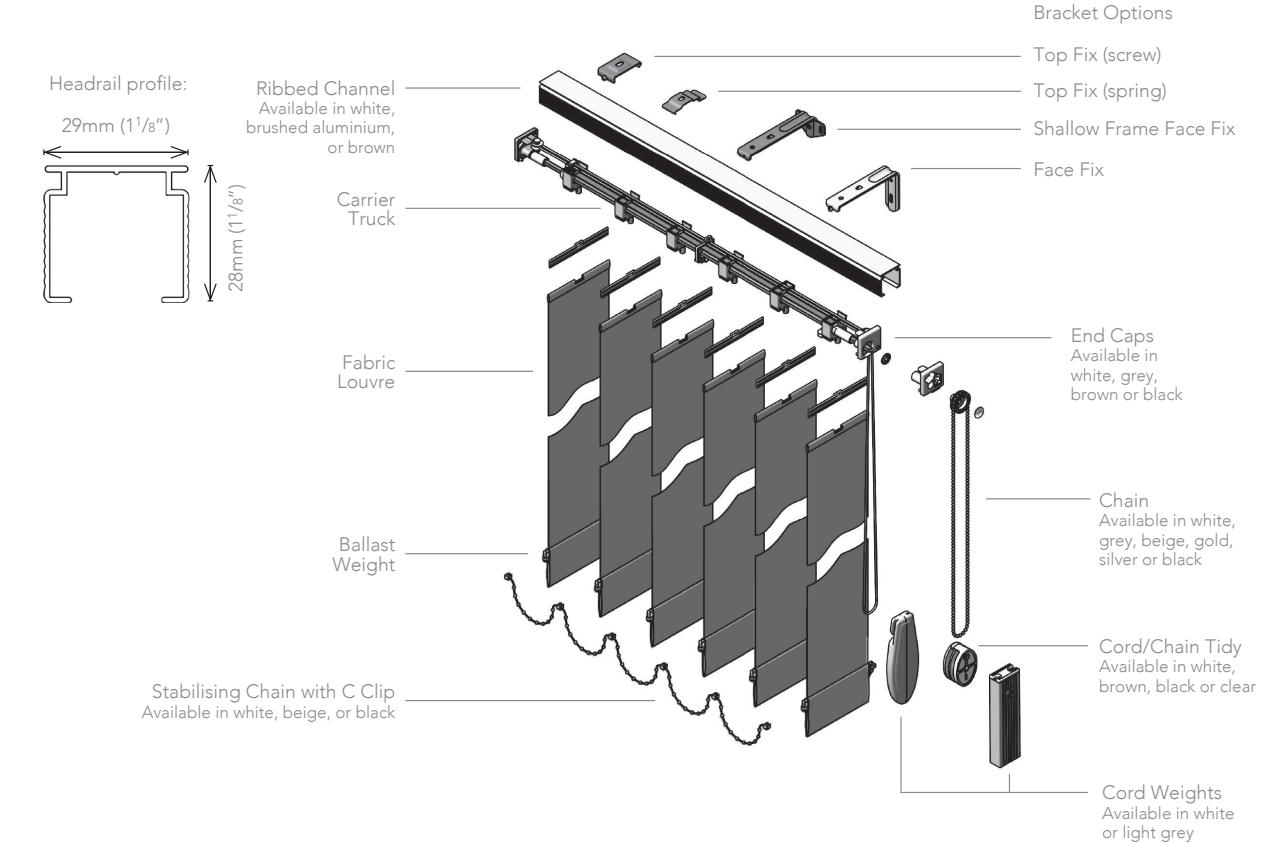


## BUNCHING OPTIONS AND STACKING DISTANCES



# SLIMLINE® VERTICAL BLIND SYSTEM

With Cord & Chain Operation



# SLIMLINE® VERTICAL BLIND SYSTEM

With Monocommand Wand Operation

