

## SYSTEM 32® ROLLER SYSTEM COMPONENTS

### Control End - System 32®

Patented universal side control operating unit featuring stainless steel wrap spring clutch mechanism. The control end unit features a locking feature to secure the unit into the bracket. Available in a variety of colours.

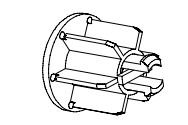


#### Product specification

Sprocket / sprocket guard acetal  
Other parts Prime grade PA6 (Nylon, Akulon K222D)  
Spring lock friction system  
Unique bracket securing pin  
Choice of nylon or metal chain drive  
Colour: white, beige, brown, grey, black & anthracite grey

### Plunger End - System 32®

Plunger end System  
A sprung loaded plunger end allows for quick and easy installation by a single individual, even on larger blinds.

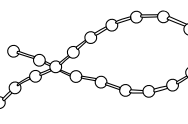


#### Product specification

Nylon 6  
Colour: white, cream, brown, grey or black

### Chain

Available in chrome plated brass, stainless steel or plastic. The pitch of the operating chain is designed to provide a smooth and silent operation. Available in a variety of colours, each chain system has a variety of connector units to allow for child safe operation where required.

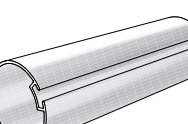


#### Product specification

Acetal ball - colour: white, grey, beige, brown & black  
Chrome plated - colour: silver, gold, brass or stainless steel  
Easy break chain connector for child safety

### Standard Tube - System 32®

Tempered aluminium tube is used to ensure a high degree of torsional strength. The design allows for full integration of the selected fabric and also provides maximum resistance to tube deflection.



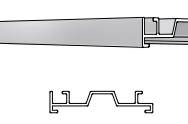
#### Product specification

100% aluminium  
Lengths: 5m (5.5 yard) maximum

**System 32®:** Outside diameter: 32mm (1 1/4"), wall thickness: 1.05mm (1/32"), fabric locating slot: 1, strengthening fin: 4mm (5/32")

### Back Bar Mounting Plate

The back bar mounting plate is available for use with System 32® operating system and allows for ease of installation at sites where conventional installation options might be difficult.



#### Product specification

100% aluminium  
Colour: white



## LOUVOLITE SYSTEM 32® ROLLER BLIND SYSTEM

- Designed and manufactured in the UK, and has been 10 year life cycle tested to ensure long lasting performance
- System 32® Slide Lock® combines heavier holding weights with anti-fray features that ensure enhanced blind performance
- For blinds up to 2m wide
- Manufactured using high quality engineering grade polymer
- Spring loaded idle end plunger for ease of installation
- Improved chain location enables quick and easy on-site adjustment
- Gated sprocket wheel for smooth, effortless operation.
- Double spring red pin option for use with heavy weight fabrics
- Cassette options are available for stylish integration into any room setting
- System 32® Closed Cassette & System 32®/40® Hybrid Cassette can be used with the Louvolite® Blockout system
- Guide-wire system is available to hold fabric parallel to the window when the blind is operated



## HARDWARE SPECIFICATION

### System 32® Roller System

Our Roller Blinds are manufactured using the Louvolite System 32® Roller Blind mechanism with specifically designed grooved 32mm aluminium tubing. The specified fabrics are formed and held into the tube with locking tape. The side control units, manufactured in the UK, are made from glass filled Nylon 6, with an acetal sprocket and sprocket guard, and includes a locking spring.

The operating chain, No. 10 size in metal or plastic, ensures reliable performance and improved chain location enables quick and easy on-site adjustment. The brackets are made from mild steel, zinc plated and powder coated, suitable for top, face or side fixing.

A sprung plunger end mechanism is positioned at the opposite end to the control unit.

### Performance

To ensure a positive performance, all Louvolite Roller System units are designed and manufactured in the UK using prime quality plastic materials and a dedicated steel locking spring. The sidewinders will lock into the bracket with the unique bracket securing pin for safety after installation.

10 year life cycle testing is done to ensure long lasting performance. The units will accept both metal or plastic operating chain providing reliable smooth operation.

### Operation

Operation is with No.10 metal or plastic operating chain to raise and lower the blinds. All blinds must be compliant with the child safety elements of BS EN13120. Where children maybe present, the chain must be fitted with easybreak connectors or cord tidy devices.

### Bottom Bar

Made of either aluminium or plastic, the oval and teardrop bottom bars can be single or double wrapped in fabric or left exposed, while circular bottom bars in dedicated colours only have the fabric formed and locked into the top part to leave the bar exposed. All fabric is formed and held into place with locking tape. Teardrop bars are crafted for use with heavier thicker fabrics.

### Maintenance

All of the System 32® Roller Blind System components are manufactured using aluminium and plastic. They do not present any corrosion problems in normal environments. The system has been designed for a smooth operation, together with a rigidity to prolong the window blind's working life. Manufacturing size restrictions are included in this specification brochure.

### System 32® Cassette Roller Blind System

Roller Blinds with Cassettes are manufactured as per the standard Louvolite System 32® and include the specially designed powder coated cassette system with dedicated top or face fix brackets. On specification the user has the choice between a single coloured extrusion in dedicated colours or a fascia which incorporates the same fabric or contrasting fabric used on the roller blind.

### System 32® Guide Wire Roller Blind System

Roller Blinds with guide wires are manufactured as per the standard Louvolite System 32® and include dedicated brackets, PVC coated wire and nylon plastic base or side fixing units.

See the Guide Wire Roller Blind System Technical Specification Card.



Your Louvolite System 32® Distributor:

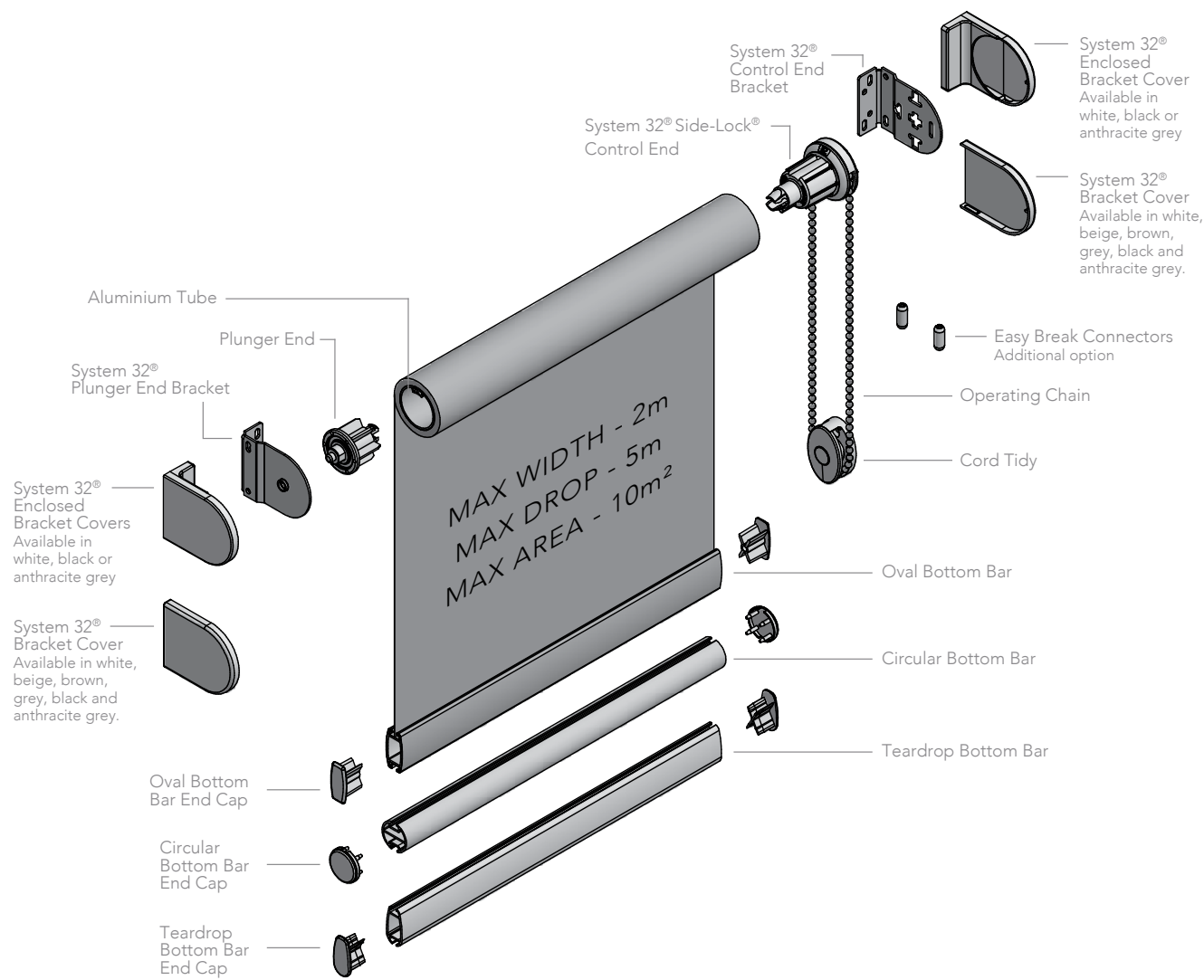


Manufactured in the UK

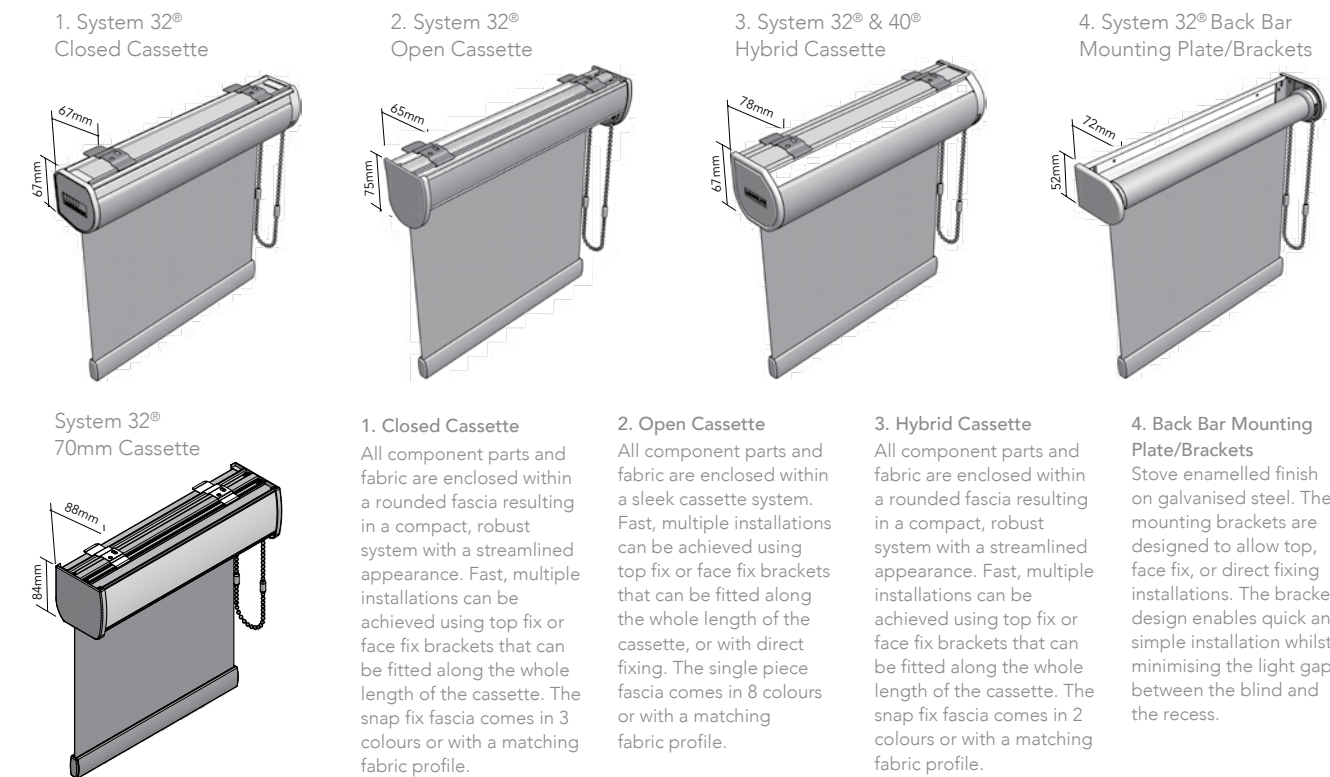
CIS/B 1976 reference by SFB Agency		
(76.7)	X	

# SYSTEM 32® ROLLER SYSTEM

Diagram shows: System 32®, Face Fix - Standard Metal Bracket



## Additional options



**1. Closed Cassette**  
All component parts and fabric are enclosed within a rounded fascia resulting in a compact, robust system with a streamlined appearance. Fast, multiple installations can be achieved using top fix or face fix brackets that can be fitted along the whole length of the cassette. The snap fix fascia comes in 3 colours or with a matching fabric profile.

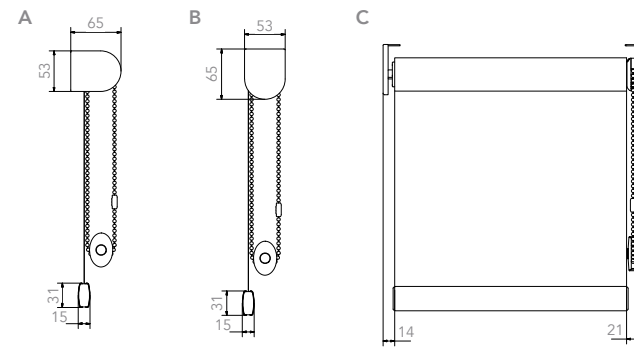
**2. Open Cassette**  
All component parts and fabric are enclosed within a sleek cassette system. Fast, multiple installations can be achieved using top fix or face fix brackets that can be fitted along the whole length of the cassette, or with direct fixing. The single piece fascia comes in 8 colours or with a matching fabric profile.

**3. Hybrid Cassette**  
All component parts and fabric are enclosed within a rounded fascia resulting in a compact, robust system with a streamlined appearance. Fast, multiple installations can be achieved using top fix or face fix brackets that can be fitted along the whole length of the cassette. The snap fix fascia comes in 2 colours or with a matching fabric profile.

**4. Back Bar Mounting Plate/Brackets**  
Stove enamelled finish on galvanised steel. The mounting brackets are designed to allow top, face fix, or direct fixing installations. The bracket design enables quick and simple installation whilst minimising the light gap between the blind and the recess.

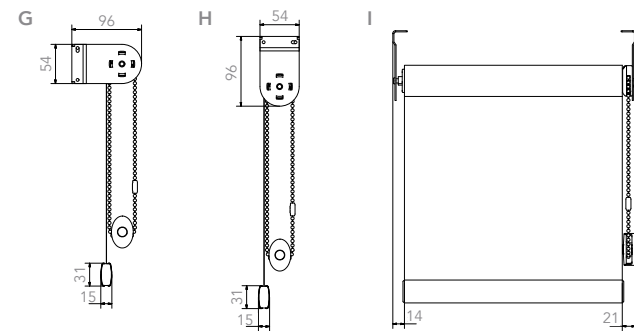
# SYSTEM 32® BRACKET DIMENSIONS

## System 32®



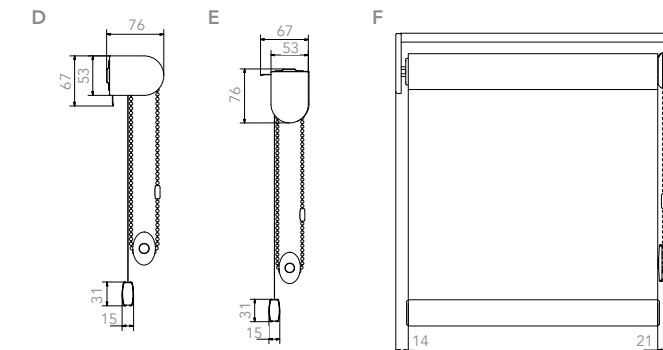
- A. System 32® Standard Metal Bracket Face Fix & Cover
- B. System 32® Standard Metal Bracket Top Fix & Cover
- C. System 32® Standard Metal Bracket Top Fix Front View

## System 32® Extension Bracket



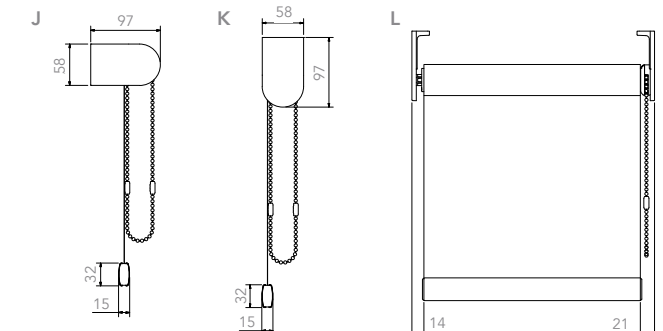
- G. System 32® Extended Metal Bracket Face Fix
- H. System 32® Extended Metal Bracket Top Fix
- I. System 32® Extended Metal Bracket Top Fix Front View

## System 32® with Back Bar



- D. System 32® Standard Metal Bracket Face Fix with Back Bar
- E. System 32® Standard Metal Bracket Top Fix with Back Bar
- F. System 32® Standard Metal Bracket Top Fix with Back Bar, Front View

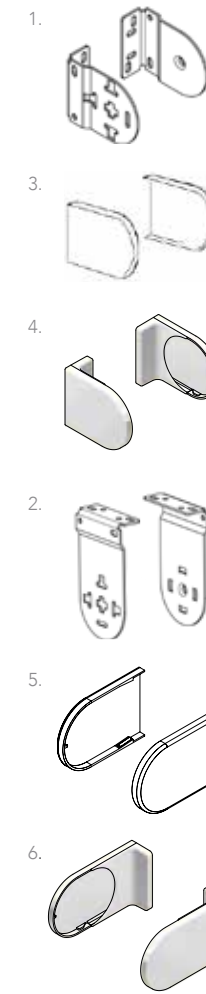
## System 32® Extension Bracket with Covers



- J. System 32® Extended Metal Bracket Face Fix & Cover
- K. System 32® Extended Metal Bracket Top Fix & Cover
- L. System 32® Extended Metal Bracket Top Fix Front View & Cover

# SYSTEM 32® ROLLER SYSTEM COMPONENTS

## Brackets (metal) and Bracket Covers



**1. Mounting Brackets**  
Stove enamelled finish to galvanised steel. The mounting brackets are designed to allow top, face or side fix installations. The bracket design enables quick and simple installation whilst minimising the light gap between the blind and any recess. Brackets are available in metal and plastic.

**2. Extension brackets** are available if required. Brackets are colour keyed to operating system colour. Covers for the mounting brackets are available to suit each size, enclosed bracket covers are also available.

**Product specification**  
Universal fixing points: side, face or top fix  
Mild steel, zinc plated and powder coated  
Thickness: 1.5 mm  
20mm wide fixing plate  
Colour: white, beige, brown, grey, black or anthracite grey

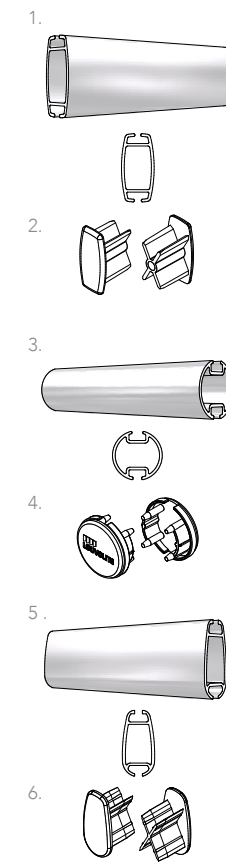
**3. Bracket covers**  
Prime grade PA6 (Nylon, Akulon K222D)  
Colour: white, beige, brown, grey, black or anthracite grey

**4 Enclosed bracket covers**  
Prime grade PA6 (Nylon, Akulon K222D)  
Colour: white, black or anthracite grey

**5. Extended bracket covers**  
Prime grade PA6 (Nylon, Akulon K222D)  
Colour: white

**6. Enclosed bracket covers 32 & 40 extension**  
Prime grade PA6 (Nylon, Akulon K222D)  
Colour: white, black or anthracite grey

## Bottom Bar and End Caps



**1. Oval bottom bar and 2. end caps**  
Available in anodised aluminium or UPVC with a white, beige or clear finish. Oval bottom bars are typically wrapped by the specified fabric.

**3. Circular bottom bar and 4. end caps**  
Available in silver or white anodised aluminium. Circular bars are left exposed.

**5. Tear drop bottom bar and 6. end caps**  
Available in UPVC with a white finish. Tear drop bottom bars are typically wrapped by the specified fabric.

The design of the bars allow for concealed and secure location of the selected fabric. Co-ordinating end caps apply the appropriate finish to the bottom rail assembly.

**Product specification**  
Bottom Bar Lengths: 5m (5.5 yard)  
Oval Overall Dimensions: 15x30mm  
Oval Wall Thickness: 1.2mm  
Oval End Caps: nylon/polypropylene  
Oval End Caps Colour: white, beige or clear  
Circular Outside Diameter: 23mm  
Circular Wall Thickness: 1.25mm  
Circular End Caps: nylon  
Circular End Caps Colour: white or grey  
Tear Drop Overall Dimensions: 15x30mm  
Tear Drop Wall Thickness: 1.4mm  
Tear Drop End Caps: polypropylene  
Tear Drop End Caps Colour: white

# LOUVOLITE SIDE CONTROL SYSTEMS MAXIMUM RECOMMENDED BLIND SIZE

SYSTEM	FABRIC GROUP	BLIND WIDTH (m) FOR BLIND DROP (m)				MAX HOLDING WEIGHT
		0.5	1.0	1.5	2.0	
System 32® White Pin	up to 200g/m sq	3.0	3.0	3.0	2.0	4lb blind at 0.16"
	200 > 320g/m sq	1.7	2.0	2.0	1.5	
	320 > 485g/m sq	1.9	2.0	2.0	1.5	
System 32® Blue Pin	up to 200g/m sq	4.0	4.0	4.0	4.0	6lb blind at 0.16"
	200 > 320g/m sq	3.0	3.0	3.0	3.0	
	320 > 485g/m sq	1.9	1.9	1.9	1.9	
System 32® Red Pin	up to 200g/m sq	4.0	4.0	4.0	4.0	8lb blind at 0.20"
	200 > 320g/m sq	3.0	3.0	3.0	3.0	
	320 > 485g/m sq	3.0	3.0	2.5	2.5	

Also available for System 40®, 40+®, 45®, 45+®, 55®