



LOUVOLITE SYSTEM 55® ROLLER BLIND SYSTEM WITH EASI LIFT™

- Designed and manufactured in the UK and has been 10 year life cycle tested to ensure long lasting performance
- Combines heavier holding weights with anti-fray features that ensure enhanced performance of larger roller blinds
- For blinds up to 4m wide, System 55® has a 24lb maximum holding weight.
- The smooth operation is achieved using spring assist technology
- Manufactured using high quality engineering grade polymer
- Universal brackets enable easy and quick installation
- Improved chain location enables quick and easy on-site adjustment
- A patented idle end adapter plate with locking body ensures that the blind remains safely locked into the brackets at all times
- Fascia options are available for stylish integration into any room setting
- System 55® can be motorised using Louvolite One Touch™ Hard Wired AC Motor 6000 Series

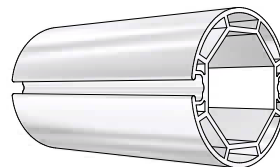


LOUVOLITE

HARDWARE SPECIFICATION

System 55® Roller System

Roller Blinds are manufactured using the Louvolite System 55® Roller Blind mechanism with specifically designed grooved 55mm honeycomb aluminium tubing.



Heavy duty honeycomb tube

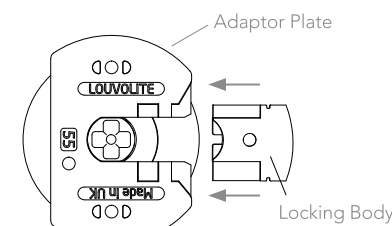
The specified fabrics should be formed into and held into the tube with locking tape. The side control units designed and manufactured in the UK are made from prime grade PA6 (Nylon, Akulon K222D), with an acetal sprocket and sprocket guard and include a locking spring.

The operating chain, No. 10 size in metal or plastic, ensures reliable performance and improved chain location enables quick and easy on-site adjustment. The brackets are made from mild steel, zinc plated and powder coated, suitable for top, face or side fixing.

A sprung plunger end mechanism is positioned at the opposite end to the control unit providing a more secure fit

of the blind and smooth operation.

There is an idle end locking plate to ensure the blind stays securely in place after installation.



Cross-section shown without tube

The side control unit is fitted with a centre plug that ensures the mechanism operates smoothly even under extreme loads.

Performance

To ensure a positive performance, all Louvolite Roller System units are designed and manufactured in the UK using prime quality plastic materials and a dedicated steel locking spring. The sidewinders will lock into the bracket with the unique bracket securing pin for safety after installation.

10 year life cycle testing is done to ensure long lasting performance. The units will accept both metal or plastic operating chain providing reliable, smooth operation.

Operation

Operation is with No.10 metal or plastic operating chain to raise and lower the blinds. All blinds must be compliant with the child safety elements of BS EN13120. Where children maybe present, the chain must be fitted with easybreak connectors or cord tidy devices.

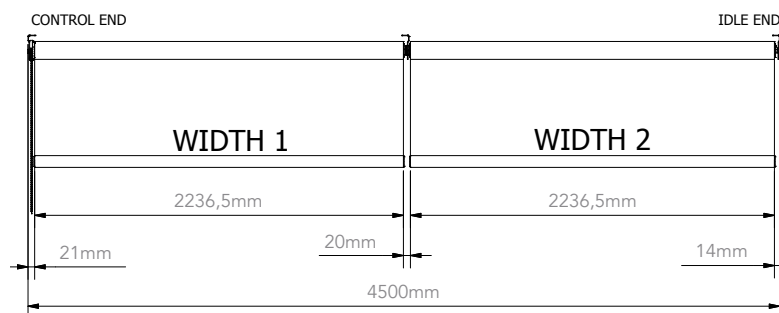
Bottom Bar

Made of either aluminium or plastic, the oval and teardrop bottom bars can be single or double wrapped in fabric or left exposed, while circular bottom bars in dedicated colours only have the fabric formed and locked into the top part to leave the bar exposed. All fabric is formed and held into place with locking tape. Teardrop bottom bars are crafted for use with heavier thicker fabrics.

Maintenance

All of the System 55® Roller Blind System components are manufactured using aluminium and plastic. They do not present any corrosion problems in normal environments. The system has been designed for a smooth operation, together with a rigidity to prolong the window blind's working life. Manufacturing size restrictions are included in this specification brochure.

MULTIPLE BLIND OPTIONS



The System 55® Drive Link operating system allows multiple blinds to be joined together with a shared single control mechanism. This facilitates one action being required to raise or lower the blinds simultaneously. The capacity of the lifting mechanism is dependent upon the performance rating of the operating unit. The drive link also allows multiple blinds to be driven by a singular powered drive.

Your Louvolite System 55® Distributor:

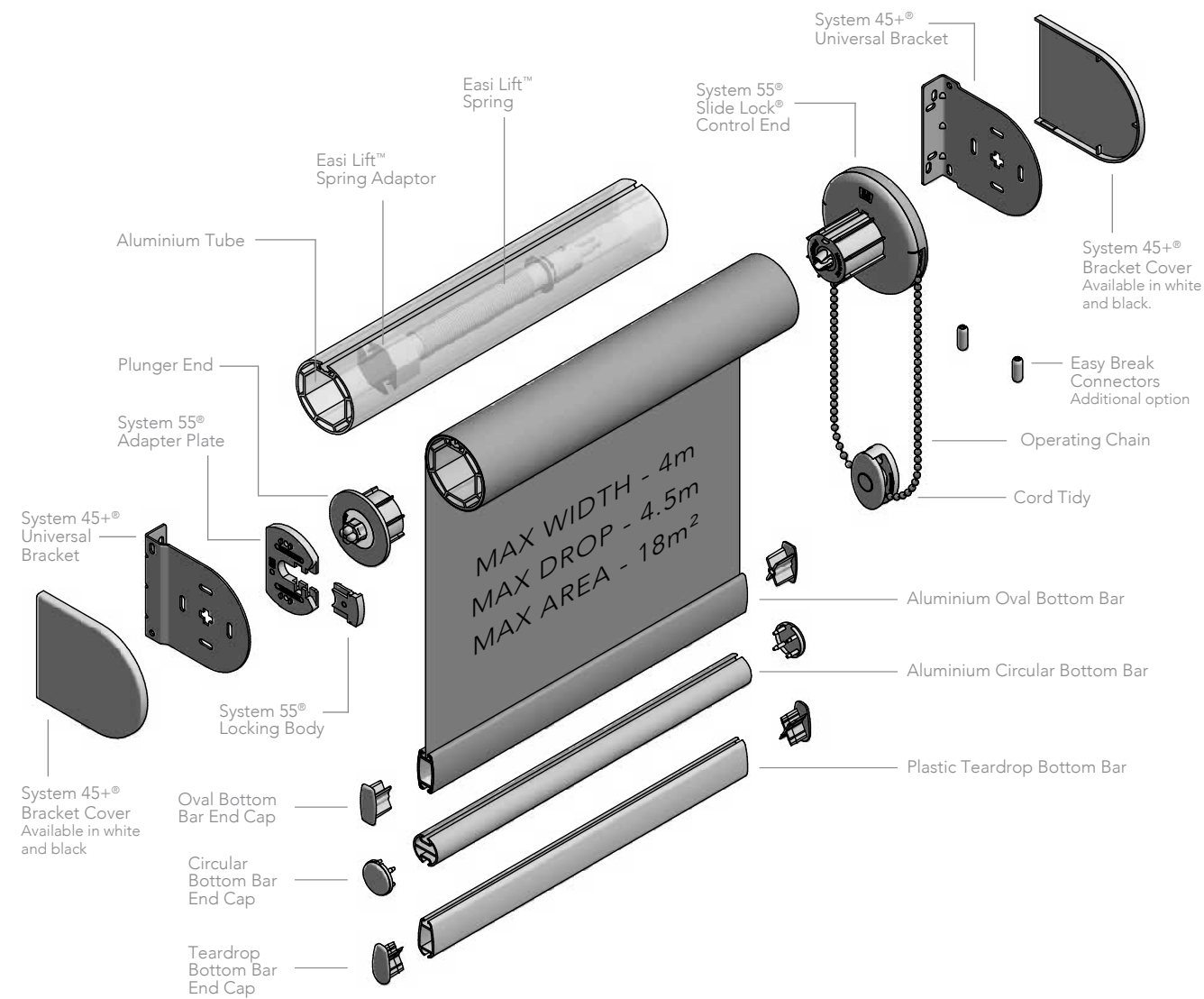


Manufactured in the UK

CI/SIB 1976 reference by SIB Agency		
(76.7)	X	

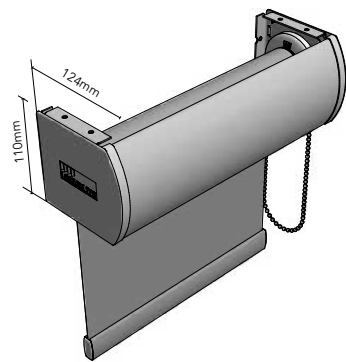
SYSTEM 55® EASI LIFT™

Raise and lower blinds easily

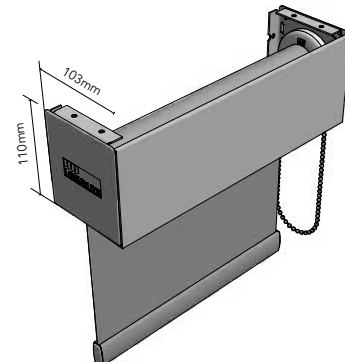


Additional options

System 45+ 4 inch Curved Fascia



System 45+ 4 inch Square Fascia



Fascia

With brackets manufactured from heavy gauge stove enamelled steel and fascia from aluminium, these units serve to house the roller shade and operating system. The use of fascia systems can allow window blinds to integrate more easily into particular glazing installations or to effect the desired aesthetic impact.

LOUVOLITE SIDE CONTROL SYSTEMS MAXIMUM RECOMMENDED BLIND SIZE

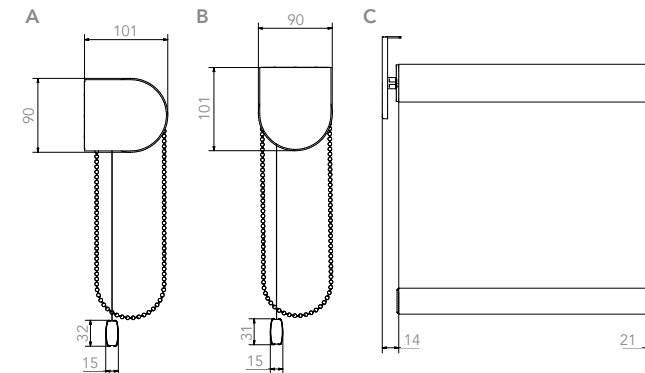
For use on blinds up to 4 metres wide with a maximum drop of 4.5 metres and a weight limit of 24lbs (11kgs).

System 55® Easi Lift™ is recommended for use on all blinds over 10lbs (4.5kgs) to give optimum performance.

SYSTEM 55® EASI LIFT™

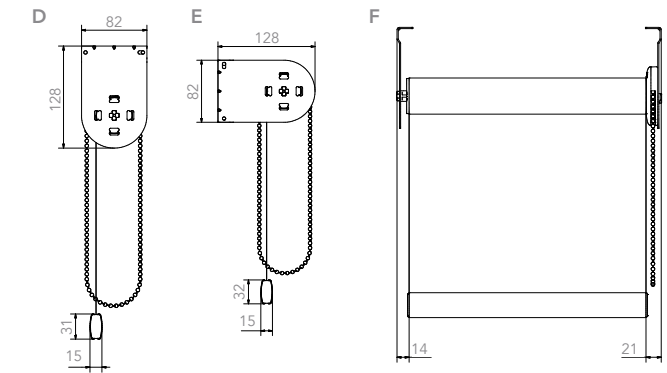
Using System 45® and 45+® brackets

System 45+®



- G. System 45+® Standard Metal Bracket Face Fix
- H. System 45+® Standard Metal Bracket Top Fix
- I. System 45+® Standard Metal Bracket Top Fix Front View

System 45® Extension Bracket



- D. System 45® Extension Bracket Face Fix
- E. System 45® Extension Bracket Top Fix
- F. System 45® Extension Bracket Top Fix Front View

SYSTEM 55® MOTORISED ASSEMBLY

The System 55® operating system can be used in conjunction with Louvolite OneTouch™ R1740 Hard Wired AC Motor 6000 Series. Please discuss this option with your preferred supplier of Louvolite System 55® roller blind operating systems.

