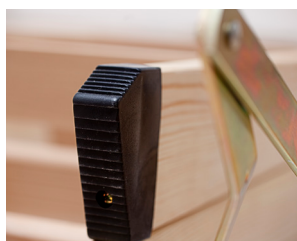



**click
FIX[®]
76**
GOLD

NEW



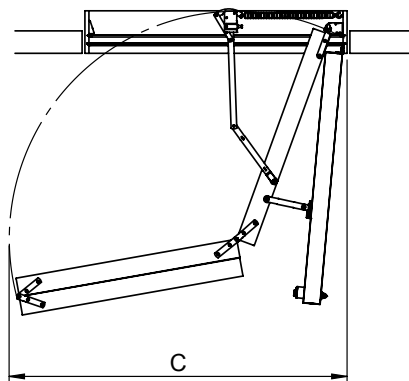
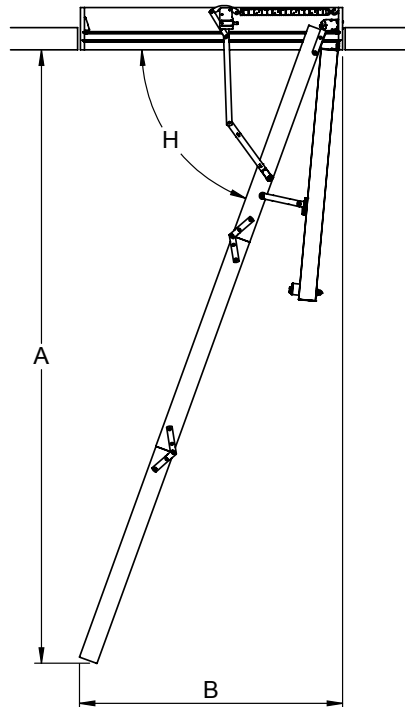
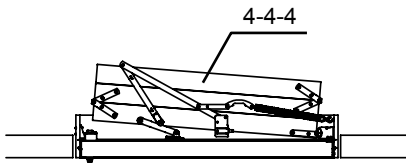
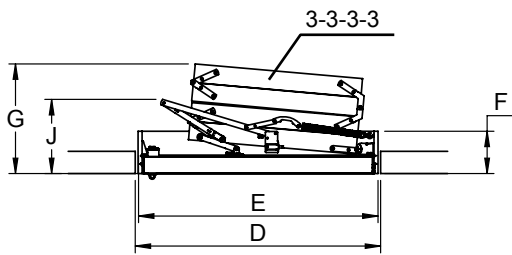
clickFIX[®] 76

GOLD

- Unique patent pending click FIX[®] technology
- Quick and easy mounting without tools.
- Reduces heat loss by 36% compared to Profi.
- Reduces heat loss by 70-80% compared to traditional 26 mm trapdoors/loftladders
- 27 kilo, weight reduced by 25% compared with Dolle Profi. No component weighs more than 11 kilo.
- 3-section folding attic ladder - requires no headroom or storage space in the loft.
- Supplied with plastic architraves for extra finish.
- Double draft extruder to ensure optimum tightness.
- Airsealing: Class 4 tested at IFT Rosenheim according to EN 12207.
- Sturdy spring counter balancing system for smooth and effortless operation.
- Nice finish with white-faced trapdoor and primed casing.
- Non-slip treads and plastic feet for extra security.
- Hidden trapdoor hinges make it easy to paint, varnish or clad the trapdoor.
- Specially developed height adjustment system for fine tuning floor-to-ceiling height.
- Easy operation - delivered with push/pull rod made of wood.
- Tested according to EN 14975: - test load 265 kg, - max working load 150 kg.

Technical data →

- **New click FIX® mounting system**
- **Improved insulation**
- **Reduced weight**



Casing

Material:	Laminated spruce - white
Thickness:	18 mm
Height:	190 mm

Trapdoor

76 mm Sandwich construction
 2 x 3 mm white HDF
 70 mm polystyrene
 Insulation coefficient: 0,49W/m²°C
 complete loftladder tested.

Ladder

Width:	400 mm
Distance between treads:	250 mm

Tread dimensions

Thickness:	17,5 mm
Depth:	69 mm
Material:	Beech

String dimensions

Thickness:	21 mm
Depth:	84 mm
Material:	Pine

Air tightness

Equivalent to
 EN 12207 Class 4

EN 14975

Tested and produced
 according to EN 14975

Model	D	E	A	B	C	F	G	H	J	Steps	Ladder
	mm	mm	mm	mm	mm	mm	mm	°	mm		
14515	1150 x 550	1130 x 540	2740	1170	1202	190	491	70	332	12	3-3-3-3
14720	1200 x 700	1175 x 676	2740	1170	1514	190	418	70	432	12	4-4-4