

LED RECESSED OD-3455 LED /G2

Luminaire body

Manufactured in steel sheet stove-enamelled in white colour. On request it can be supplied in any colour from the RAL chart.

The electrical connection is made to quick connect terminal.

Mains voltage: 220-240 V / 50-60 Hz. On request: 110-240 V / 50-60 Hz versions.

Power factor corrected ϕ 0.95.

Mounting: versatile recessed mounting⁽¹⁾ by spring clips that allow a precise adjustment of the luminaire. Anchorage system for ceiling thicknesses ranging from 5 to 45 mm included in standard delivery.

□ Ceiling cut: 588x588 mm/ 1,185x285 mm

(1) The dimensions of the grid system should be taken into account for a correct integration.

Optics

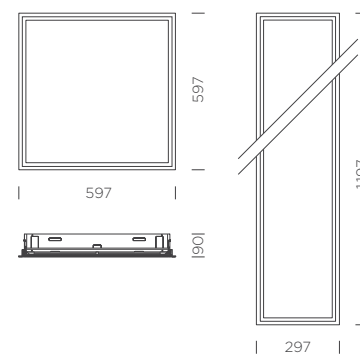
General lighting version with an opal diffuser of high transmittance and total lighting uniformity UGR >19.

General and office lighting version. The new optical technology offers a complete uniformity in the diffuser without marking of the light source, even with a reduced recessed height. The highly transparent microprismatic structure is formed by a matrix of micro cones with hexagonal base for total glare control. High lumen maintenance and glare limitation: L <1,000 cd/m² at 65° from the vertical axis for UGR 19.

Light source: LED830/LED840 with a high selection of binning (3-4 step) that guarantees the light output emitted and the colour temperature declared.

Dimensions

Measures in mm



Applications



Offices



Schools / Training centres



Airports



Shopping centres



Laboratories

Luminaires

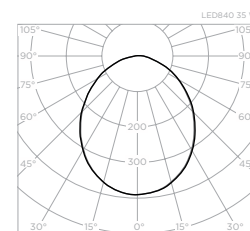
Light source	W	Colour temp.	CRI	Light output	Kg	References: Non dimmable	Dimmable DALI
--------------	---	--------------	-----	--------------	----	--------------------------	---------------

OD-3455 LED / G2 • Recessed luminaire with opal optics for general lighting. Versatile recessed mounting. White colour

600x600 mm Module							
LED840	35	4,000 K	>80	3,739 lm	4.4	3455035840020	3455035840220
LED830	35	3,000 K	>80	3,350 lm	4.4	3455035830020	3455035830220
LED840	57	4,000 K	>80	5,407 lm	4.4	3455057840020	3455057840220
LED830	57	3,000 K	>80	4,840 lm	4.4	3455057830020	3455057830220
1,200x300 mm Module							
LED840	35	4,000 K	>80	3,739 lm	4.4	3455035841020	3455035841220
LED830	35	3,000 K	>80	3,350 lm	4.4	3455035831020	3455035831220
LED840	57	4,000 K	>80	5,407 lm	4.4	3455057841020	3455057841220
LED830	57	3,000 K	>80	4,840 lm	4.4	3455057831020	3455057831220

OD-3455 LED / G2 • Recessed luminaire with microprismatic optics for office lighting. Versatile recessed mounting. White colour

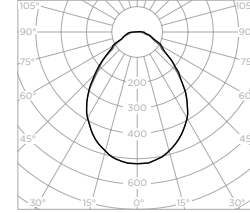
600x600 mm Module UGR 19							
LED840	45	4,000 K	>80	3,988 lm	4.7	345504584002M	345504584022M
1,200x300 mm Module UGR 19							
LED840	45	4,000 K	>80	3,988 lm	4.7	345504584102M	345504584122M



LED840 35 W

— C0 • C180 — C90 • C270

100% 100%



LED840 45 W

— C0 • C180 — C90 • C270

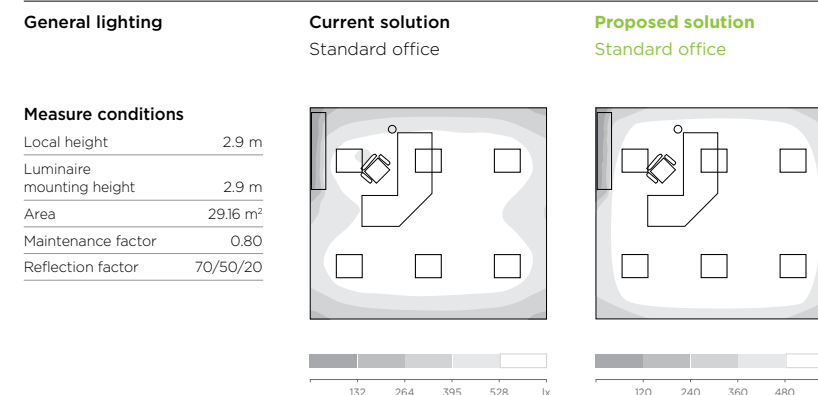
100% 100%

ON REQUEST: RAL colours Integrable IN CEILING

Comparative chart

Lighting results	Luminaire	OD-3455 LED / G2
	4 T8 18 W	LED840 45 W 4,000 K
VEE (W/m ²)	18.93	9.26
VEEI (W/m ² /100 lux)	3.50	1.81
Em (lux)	536	510
Emin/Em	0.60	0.70

Solution



Installed power	Current solution	Proposed solution
	552.0 W	270.0 W
		Installed power -51%

EFFECTIVE LIGHT INTENSITY

