

LD18



Tilted Exterior LED Floor and Wall Washer

Data sheet - Page 1



LD18 is ideal for projects where a more industrial look with visible fixings is required. It features the latest in LED technology and has a very shallow recess depth. The LED and optics are tilted at 17° to focus the light on the lit surface, and reduce light spill.

Key Features

- LED and lens assembly tilted at 17° within a black anodised aluminium body
- Tilted beam angle makes it an ideal solution for floor and wall washing
- Can be mounted as an uplight or wall light
- Integral anti wicking barrier increases protection against moisture ingress due to incorrect IP rated cable connections
- For yacht exteriors the body can be manufactured from stainless steel (max 500mA 1.7W, LD18-500)
- Not designed for permanent submersion, please use our LD242A, LD41, and LD60.
- Available with Switch, 0-10V, DMX, Dali or Mains dimmable drivers

Specification

Applications



Beam Angles	12°, 31°, 48°, 36° x 12°					
	1 x Cree XPG					
Colour temperature	3000K			5000K		
Drive Current (mA)	350	500	700	350	500	700
LED power* (W)	1.2W	1.7W	2.4W	1.2W	1.7W	2.4W
CRI (typical)	93	93	93	75	75	75
Forward voltage (V) ₁₀₀	3.0V	3.2V	3.4V	3.0V	3.2V	3.4V
Delivered lumens (L ₁₀₀)	72	95	119	112	147	184
Lumens per circuit watt**	60	56	50	93	87	77

LED lifetime (to 70% lumen maintenance) 50,000hrs at a max ambient temperature of 35°C (if specifying fitting in ambient temperatures of up to 45°C run at 500mA max, LD18-500)

Materials Black anodised aluminium body, Machine finish 316 stainless steel bezel (other options available)

Glass 5mm thick borosilicate

Wiring Comes pre-wired with 2 core 100mm lead, can be specified with up to 10m at extra cost

IP rating IP68 (for swimming pools see our LD242A)

*LED wattage includes losses associated with using an 85% efficient driver
 **data shown allows for an ambient temperature of 35°C



LD18

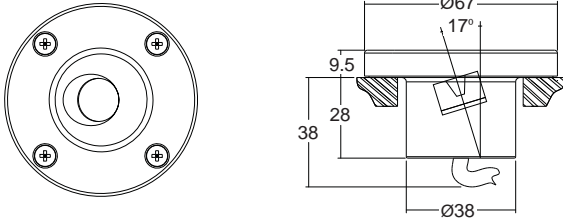


Tilted Exterior LED Floor and Wall Washer

Data sheet - Page 2

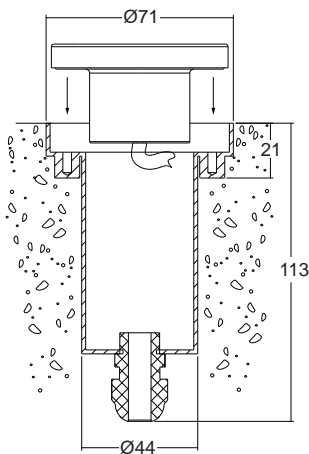
Dimensions and Fixing Options

Fixing is by removing the bezel and then 4 screws through the body



(Dimensions in mm)

/474 - Concrete fixing housing



Order Codes and Options

Product code	LED colour	Lens angle	Finish	Fixing
LD18 - 350 - 500 - 700	<input type="text"/>	<input type="text"/>	<input type="text"/>	<input type="text"/>

Example: LD18-700 / LW30 / MB / Stainless steel / 474

Product codes with output options

1.2W LED at 350mA	LD18-350
1.7W LED at 500mA	LD18-500
2.4W LED at 700mA	LD18-700

LED colour options

LED colour options	Suffix
Extra warm white (2700K)	/LW27
Warm white (3000K)	/LW30
Cool white (5000K)	/LW50
Blue	/LB
Green	/LG
Red	/LR
Amber	/LA

Beam / lens angle options

12° narrow spot	/NB
31° medium	/MB
48° wide	/WB
36° x 12° oval	/OB

Bezel finish options

Stainless steel 316 (standard)
 Paint finish white / black / RAL (interior use only)
 Polished and passivated stainless steel (for marine environments)

Fixing options

Concrete fixing housing	/474
-------------------------	------

Use with 350mA, 500mA or 700mA constant current LED drivers

We have a wide range of dimmable LED drivers, 0-10V, DMX, DALI and Mains dimmable. Please see the downloads section on our website:

To run 1-14 LD18-350 in series use a TXDEL350D (0-10V dimmable)

To run 1-14 LD18-500 in series use a TXDEL500D (0-10V dimmable)

To run 1-13 LD18-700 in series use a TXDEL700D (0-10V dimmable)