

# LD151

High Power Exterior LED Uplighter

Data sheet - Page 1



A very powerful uplighter for its size and depth. The LD151 has been designed specifically to produce low glare illumination to exterior walls and columns. It can be used for a wide range of project styles with a minimal aesthetic and no visible fixings. This is a very tough, high quality fitting, machined from high grade materials ensuring excellent thermal and light output performance.

## Key Features

- LED and lens assembly recessed within a black anodised body for reduced glare
- Glare shield developed to minimise the view of the intense light source without affecting the wash of light on the wall/column
- Single optic produces a very consistent beam with no multiple shadows
- Tight 10° spot is available for lighting columns and arches or a 15°x 30° spreader lens which is ideal for wall washing
- No visible fixings. O-rings on the body secure it into a first fix sleeve, creating a water tight seal. A concrete housing and ground tube are also available
- RGBW LED option uses a larger optic, for a premixed light beam immediately adjacent to the fitting
- Range of bezel finish options
- Available with Switch, 0-10V, DMX, Dali or Mains dimmable drivers



## Specification

Applications



Beam Angles

10°, 15°x 30°

LED type

1 x Cree MKR 4 die LED with 2 Step Easy White binning

Colour temperature

2700K / 3000K | 5000K

Current

350mA | 500mA | 350mA | 500mA

LED power (Max)

5W (4.4W)\* | 7W (6.3W)\* | 5W (4.4W)\* | 7W (6.4W)\*

CRI (Min)

85 | 85 | 80 | 80

Forward voltage (V)<sub>100</sub>

14V | 14V | 14V | 14V

Delivered lumens (L<sub>100</sub>)\*\*

307 | 416 | 328 | 445

Lumens per circuit watt\*\*\*

70 | 66 | 75 | 71

LED lifetime (to 70% lumen maintenance)

50,000hrs at a max ambient temperature of 35°C (if higher ambient then run at 350mA up to 45°C)

Glass

6mm thick borosilicate

Materials

Black anodised aluminium body, Machine finish 316 stainless steel bezel (other options available)  
Sleeve - Black Acetal

Wiring

Comes pre-wired with 2 core 250mm lead. Can be specified with up to 10m at extra cost.

IP rating

IP67

\*indicates the nominal power for the LED run at that particular current and includes losses associated with using an 85% efficient driver

\*\* lumen output indicated is without the glare shield. Allow 30% less with glare shield

\*\*\* data shown allows for an ambient temperature of 35°C

# LD151



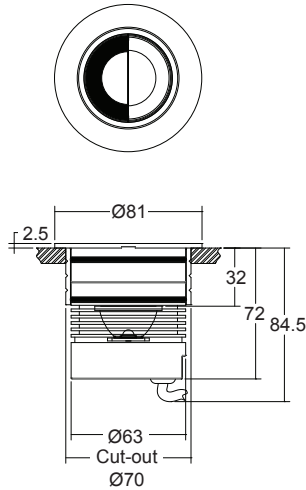
High Power Exterior LED Uplighter

Data sheet - Page 2

## Dimensions and Fixing Options

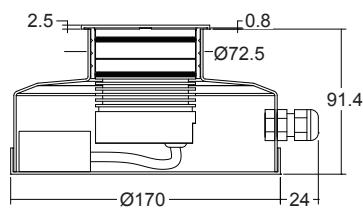
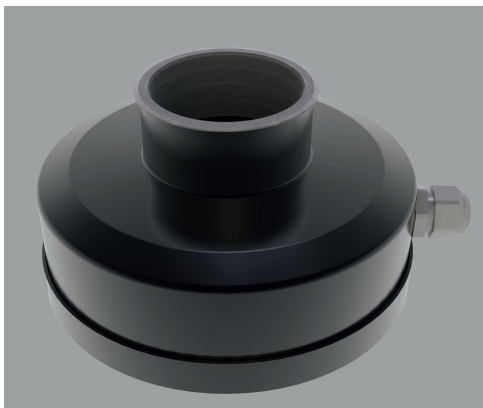
The fitting is supplied as standard with a fixing sleeve; this is bonded into the mounting surface first. The LD151 is secured into the sleeve by 2 'O' rings on the body. When pushed into the sleeve it creates a watertight seal.

**/484S** First Fix Sleeve supplied as standard



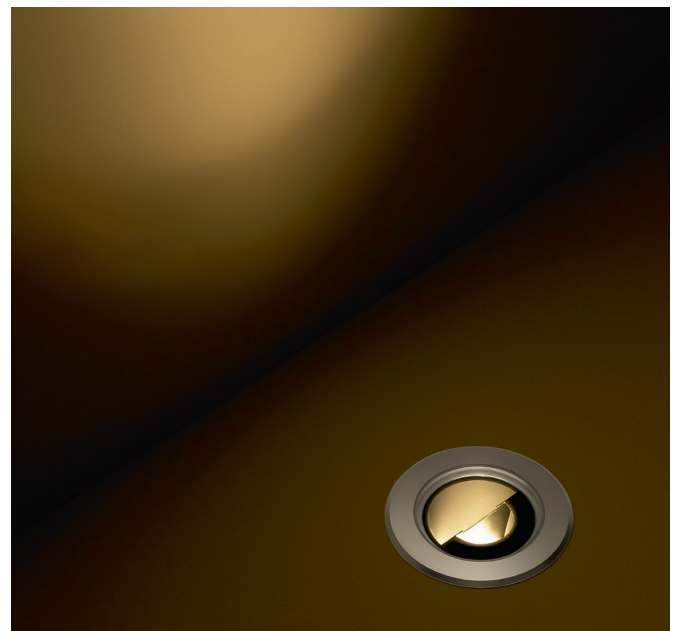
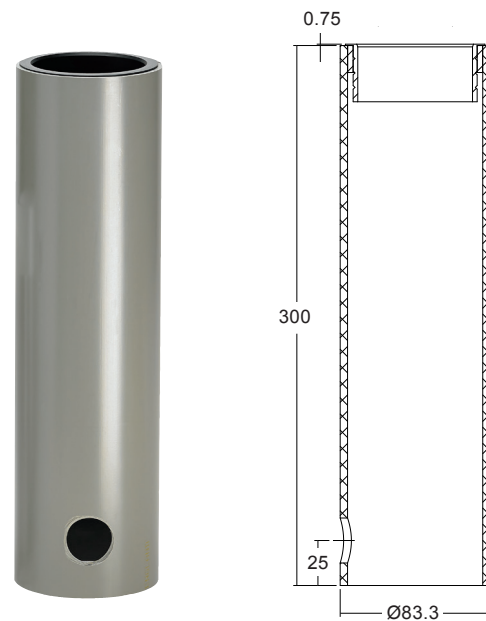
**/484N** Concrete housing

**/ID** Optional integral non dimming driver (single colour only) to fit into the housing



**/484GT** - Ground tube

The in-ground tube has been designed for applications where a recessed uplighter is required in soil or gravel surfaces. The tube can be buried with the necessary wiring, and then the fitting installed after the landscaping work has been completed. It is supplied with the fixing sleeve bonded into the tube, and can be cut down on site.



# LD151

High Power Exterior LED Uplighter

Data sheet - Page 3

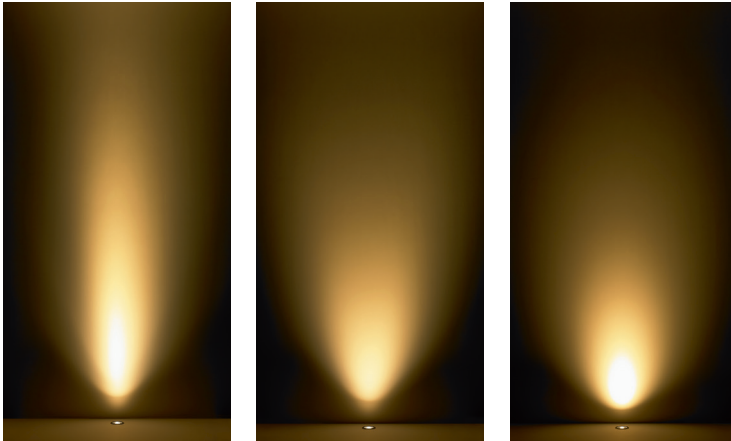


## Lens Options

**/NB** - 10° spot

**/OB** - 15°x 30° spreader

RGBW - 26deg colour mix



The centre of the LD150 is positioned 125mm from the wall (2.5m high) in these photos.

## Photometrics

Photometric files are included in the design pack which can be downloaded from the LD151 product page on the website.

## Order Codes and Options

Product code	LED colour	Lens angle	Bezel finish	Accessory
LD151 - 350 - 500	<input type="text"/>	<input type="text"/>	<input type="text"/>	<input type="text"/>

Example: LD151-350 / LW30 / 10 / Stainless Steel / 484N / ID

### Product codes with output options

5W 350mA	<b>LD151-350</b>
7W 500mA	<b>LD151-500</b>

### LED colour options

LED colour options	Suffix
Extra Warm White (2700K)	/LW27
Warm white (3000K)	/LW30
Cool White (5000K)	/LW50
RGBW (White is 4000K)	/RGBW

### Beam / lens angle options

10° narrow spot	/NB
15° x 30° oval spreader beam	/OB
RGBW LED comes with a 26° lens	

### Bezel finish options

Stainless steel 316  
 Powder coated white / black (interior use only)  
 Polished and passivated stainless steel (for marine environments)  
 Flamed solid bronze (antique finish)

### Fixing accessories

Comes as standard with /484S first fix sleeve	
Concrete housing	/484N
with integral driver	/ID

### Use with 350mA and 500mA constant current LED drivers

For our complete range of LED drivers please download the data sheet from the downloads section at [www.lightgraphix.co.uk](http://www.lightgraphix.co.uk)



Design: Into Lighting Design Project: Buddha Bar, London Product: LD151