

# LD1030



## Low Glare LED Downlight

Data sheet - Page 1

A very shallow, compact, high quality downlight with impressive light output. The LD1030 is ideal for general downlighting, as well as wall washing and column lighting. It uses the same light engine and optics as our LD150, LD151 uplighters allowing consistency in a project. It has a very minimal design ensuring it will blend into most interior project styles.

### Key Features

- Recessed LED and optic for reduced glare
- Shallow recess depth
- High quality machined components
- Minimal aesthetic enabling it to fit into most project styles
- Single optic produces a very consistent beam with no multiple shadows
- Narrow 10° spot is available for lighting columns and arches or an oval 15° x 30° spreader lens which is ideal for wall washing
- Same light engine and optics as the LD151, LD150 uplighter
- Available with Switch, 0-10V, DMX, Dali or Mains dimmable drivers

### Specification

#### Applications

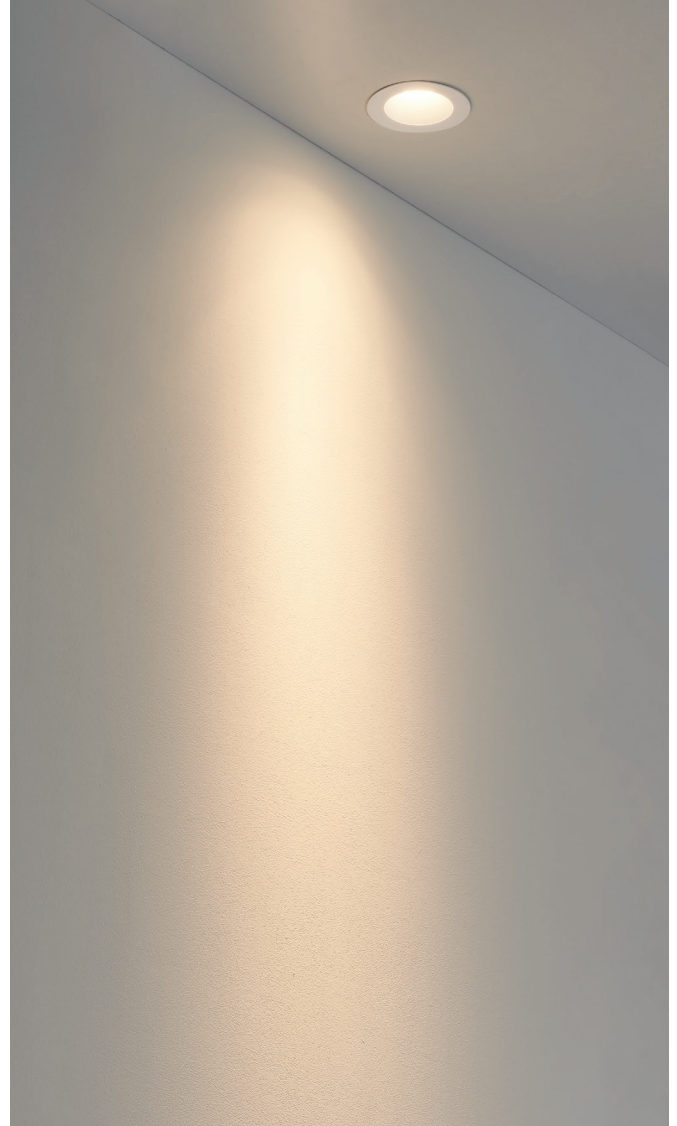


Beam Angles	10°, 30°, 50°, 15°x30°			
LED type	1 x Cree MKR 4 die LED			
Colour temperature	2700K / 3000K		5000K	
Current	350mA	500mA	350mA	500mA
LED power (Max)	5W (4.4W)*	7W (6.3W)*	5W (4.4W)*	7W (6.4W)*
CRI	85	85	80	80
Forward voltage (V) <sub>100</sub>	15.6V	15.8V	15.6V	15.8V
Delivered lumens (L <sub>100</sub> )	394	537	422	575
Lumens per circuit watt**	90	85	96	91

LED lifetime (to 70% lumen maintenance)	50,000hrs at an average ambient temperature of 35°C
Materials	Anodised aluminium, Stainless steel spring clips
Wiring	Terminal block on rear of fitting
IP rating	IP40

\*LED wattage includes losses associated with using an 85% efficient driver

\*\*data shown allows for an 85% efficient driver at an ambient temperature of 35°C



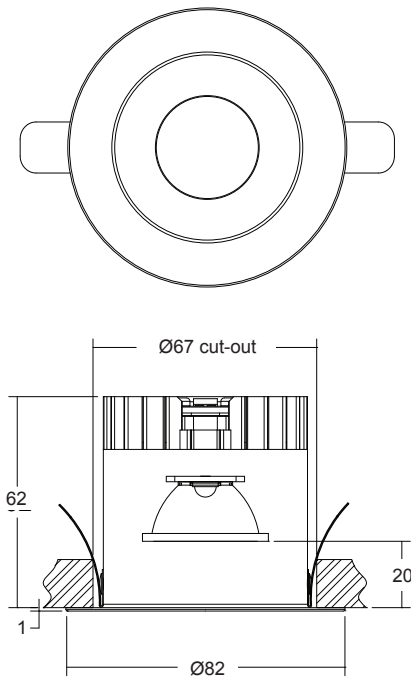
# LD1030



Low Glare LED Downlight

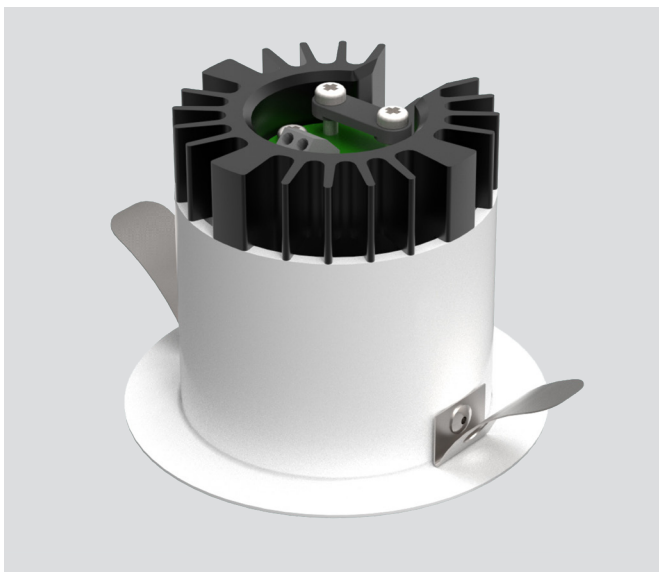
Data sheet - Page 2

## Dimensions



## Design

Built in terminal block and cable restraint



## Photometrics

Photometric files are included in the design pack which can be downloaded from the LD1030 product page on the website.

## Order Codes and Options

Product code	LED colour	Beam angle	Finish
LD1030 - 350 - 500			

Example: LD1030-350 / LW30 / NB / White

### Product codes with output options

5W 350mA	LD1030-350
7W 500mA	LD1030-500

### LED colour options

LED colour options	Suffix
Extra Warm White (2700K)	/LW27
Warm white (3000K)	/LW30
White (5000K)	/LW50

### Beam / lens angle options

Beam / lens angle options	Suffix
10° narrow spot	/NB
30° medium	/MB
50° wide	/WB
15° x 30° oval spreader beam	/OB

note: lens angles stated are the full beam width

### Bezel finish options

Paint finish silver / black / white (RAL 9016) / RAL

### Use with 350mA and 500mA constant current LED drivers

For our complete range of LED drivers please download the data sheet from the downloads section at [www.lightgraphix.co.uk](http://www.lightgraphix.co.uk)  
 Or please contact us for more information