

LD1020



LED Downlight

Data sheet - Page 1

A very shallow, compact, high quality downlight with impressive light output. The LD1020 is ideal for display cabinets, shelves and areas with restricted recess depth. It has a very minimal design ensuring it will blend into most interior project styles.

Key Features

- Very shallow recess depth
- High quality machined components
- Minimal aesthetic enabling it to fit into most project styles
- Single optic produces a very consistent beam with no multiple shadows
- Narrow 10° spot is available for lighting columns and arches or an oval 15° x 30° spreader lens which is ideal for wall washing
- Available with Switch, 0-10V, DMX, Dali or Mains dimmable drivers

Specification

Applications



Beam Angles	10°, 30°, 50°, 15°x30°			
LED type	1 x Cree MKR 4 die LED			
Colour temperature	2700K / 3000K		5000K	
Current	350mA	500mA	350mA	500mA
LED power (Max)	5W (4.4W)*	7W (6.4W)*	5W (4.4W)*	7W (6.4W)*
CRI	85	85	80	80
Forward voltage (V) ₁₀₀	15.6V	15.8V	15.6V	15.8V
Delivered lumens (L ₁₀₀)	394	537	422	575
Lumens per circuit watt**	90	85	96	91

LED lifetime (to 70% lumen maintenance)	50,000hrs at an average ambient temperature of 35°C
Materials	Anodised aluminium, Stainless steel spring clips
Wiring	Terminal block on rear of fitting
IP rating	IP40

*LED wattage includes losses associated with using an 85% efficient driver

** data shown allows for an 85% efficient driver at an ambient temperature of 35°C



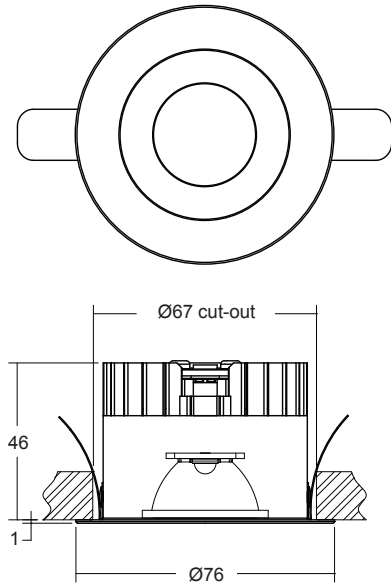
LD1020

LED Downlight



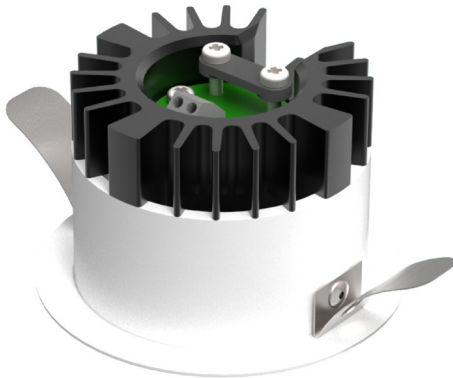
Data sheet - Page 2

Dimensions



Design

Built in terminal block and cable restraint



Photometrics

Photometric files are included in the design pack which can be downloaded from the LD1020 product page on the website.

Order Codes and Options

Product code	LED colour	Beam angle	Finish
LD1020 - 350 - 500	<input type="text"/>	<input type="text"/>	<input type="text"/>

Example: LD1020-350 / LW30 / NB / White

Product codes with output options

5W 350mA	LD1020-350
7W 500mA	LD1020-500

LED colour options

	Suffix
Extra Warm White (2700K)	/LW27
Warm White (3000K)	/LW30
Cool White (5000K)	/LW50

Beam / lens angle options

	Suffix
10° narrow spot	/NB
30° medium	/MB
50° wide	/WB
15° x 30° oval spreader beam	/OB

Bezel finish options

Paint finish silver / black / white (RAL 9016) / RAL

Use with 350mA and 500mA constant current LED drivers

For our complete range of LED drivers please download the data sheet from the downloads section at www.lightgraphix.co.uk
Or please contact us for more information