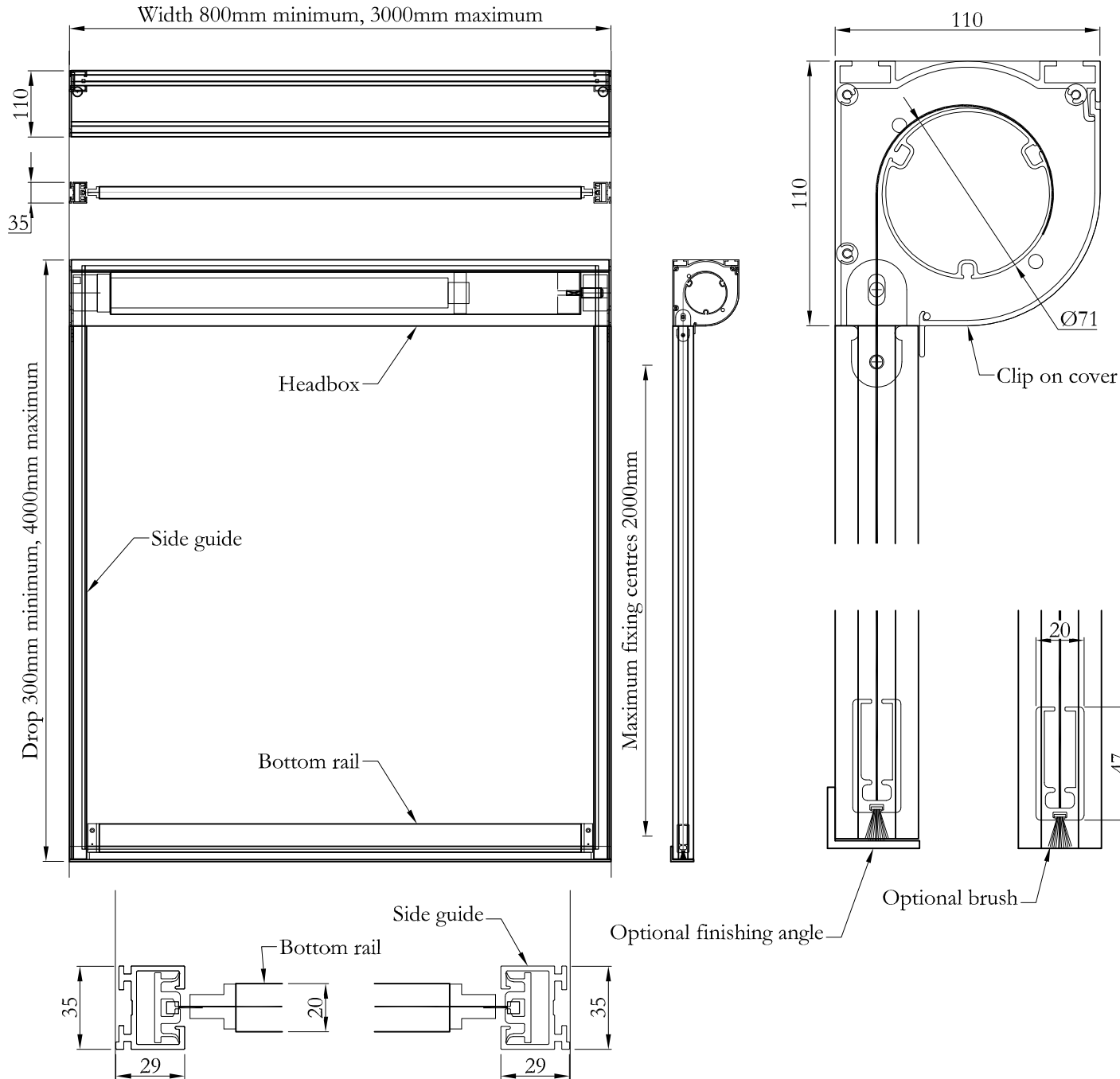


SLIMLOCK ELECTRIC ROLLER BLIND



CI/SB | 76.7

LEVOLUX

Drawing No.

G.A. 765/110/110/01

Specification

**Manufacture and Reference:** Levolux slimlock electric roller blind supplied and installed by Levolux Limited Tel 020 8863 9111 or Levolux A.T. Limited Tel 01452 500007

**Description:** Electrically operated roller blind on Ø71mm extruded aluminium barrel within an extruded aluminium 2 part clip together with headbox. Extruded aluminium side guides incorporating 'zip' technology and extruded aluminium bottom bar.

**Material:** System manufactured from extruded aluminium alloy 6063 T6.

**Finish:** Polyester powder coated to RAL.... , average 60 microns / anodised AA25 / mill finish / PVDF.

**Dimensions:** As shown on drawings.

**Fabric:** From a range of standard fabrics suitable for tensioning and welding.

**Fixing:** Cleats to side guides at a maximum of 2000mm centres. Headbox to be fixed via cleats to side guides.

**Controls:** Blinds can be operated via switches or automated systems, either individually or in groups.

**Options:** Electrical cables to exit from left or right end to top or rear of the headbox.

Extruded aluminium bottom finishing angle or channel.  
Bottom light closure brush.  
Manual gearbox operation.

Notes:

Alternative headbox sizes, larger blind sizes and control system are available. Please contact Levolux to discuss requirements.

LEVOLUX  
DESIGNED TO CONTROL

LEVOLUX LTD.  
Forward Drive, Harrow,  
Middlesex, HA3 8NT, UK  
Tel (+44) 020 8863 9111  
email: info@levolux.com

LEVOLUX AT LTD.  
24 Eastville Close,  
Gloucester, GL4 3SJ, UK  
Tel (+44) 01452 500007  
web: www.levolux.com