



NEW

MORE POWER, MORE EFFICIENCY, MORE LIGHT QUALITY

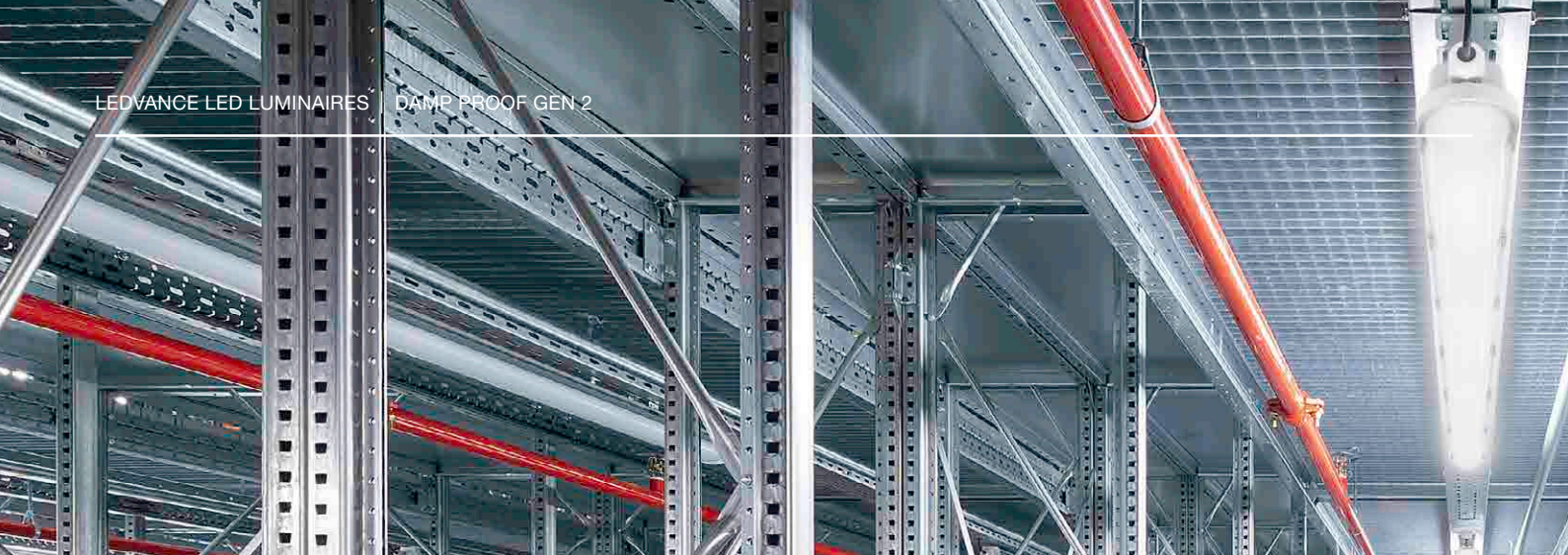
LEDVANCE DAMP PROOF GEN 2

APRIL 2021

LEDVANCE.CO.UK



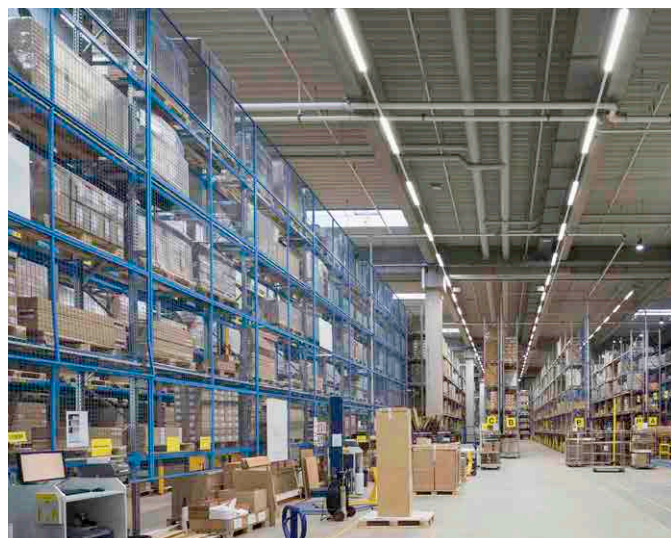
LEDVANCE



A FLEXIBLE DAMP PROOF LUMINAIRE FOR MANY VERSATILE APPLICATIONS

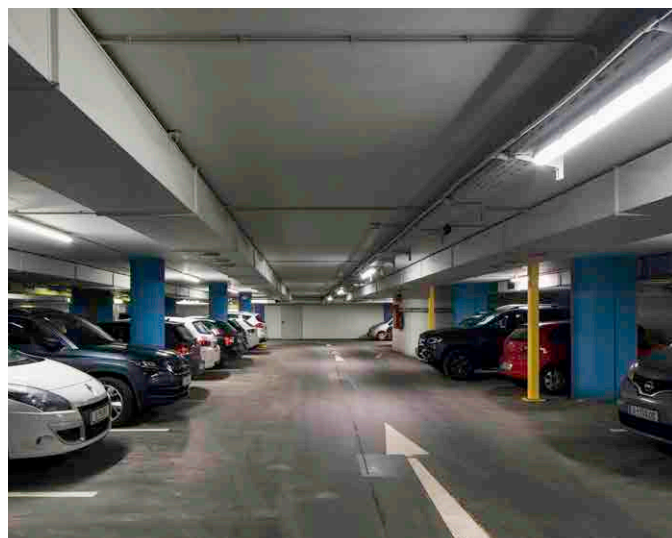
FACTORIES & WAREHOUSES

High ceilings of up to nine metres, dust and moisture, and a lack of daylight are challenges that luminaires need to overcome in factories and warehouses. And especially in high-bay warehouses, vertical illumination is extremely important so that labels on shelves and goods can be read quickly and without mistakes. With their luminous fluxes of up to 11 000 lm, the new DAMP PROOF fixtures are ideal for this task.



CAR PARKS (INDOORS)

Lighting is crucial for both orientation and vehicle safety in car parks. And keeping illumination at a high level deters criminal activity. However, long operating times also require maximum energy efficiency and long maintenance intervals. DAMP PROOF GEN 2 ticks all these boxes, offering an efficiency of up to 135 lm/W and a lifetime of up to 70 000 hours.





THE CLASSIC DAMP-PROOF LUMINAIRE FROM LEDVANCE COMES IN 2 LENGTHS, 1.2 AND 1.5 METRES AND IN MANY DIFFERENT VERSIONS OFFERING EXCELLENT LUMINOUS EFFICACY IN A ROBUST (IK08) AND WATER-RESISTANT (IP65) POLYCARBONATE HOUSING. THE EXTENSIVE MOUNTING AND SUSPENSION ACCESSORIES INCLUDED ALLOW FLEXIBLE INSTALLATION IN VIRTUALLY ANY STANDARD APPLICATION.

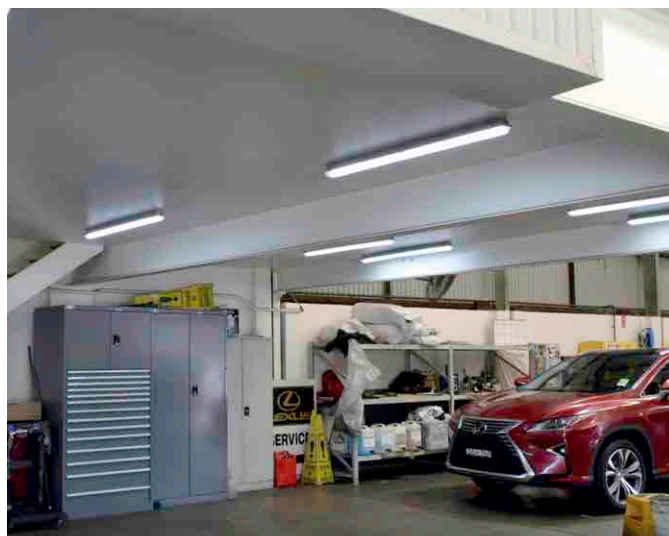
DAMP PROOF AS EMERGENCY LIGHTING

LEDVANCE DAMP PROOFs are also available as single-battery emergency luminaires.

For more information see the LEDVANCE luminaire catalog on our website: www.ledvance.co.uk/professional

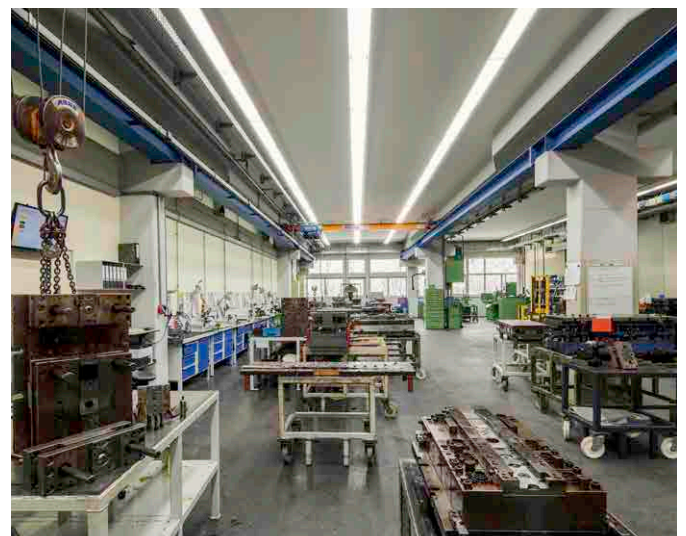
WORKSHOPS

No matter whether they are exposed to dust, vapor or humidity, the robust DAMP PROOF luminaires from LEDVANCE are in their element in workshops. Because thanks to IP65 protection, they work reliably even under adverse ambient conditions and are also shock-proof because of their IK08 protection. You can rely on these tough luminaires.



ASSEMBLY LINES

Hours of accurate work have to be carried out at assembly lines, often without natural daylight. So the quality of light plays a crucial role. With their low flicker rate of less than 10 % and their high colour consistency of SDMC < 4, the DAMP PROOF GEN 2 fixtures are also extremely convincing in this respect. This enables employees to safely work for hours without getting tired.



THE NEXT GENERATION EVEN MORE VERSATILE, EVEN MORE ECONOMICAL

MORE POWER, MORE EFFICIENCY AND BETTER QUALITY OF LIGHT –
DAMP PROOF GEN 2 HAS IT ALL.

The new generation of the LEDVANCE DAMP PROOF luminaires speaks for itself. Its energy efficiency has been increased to up to 135 lm/W. There are now versions with luminous fluxes of 8 000 lm and even 11 000 lm for applications with very high ceilings. And there are more light colours to choose from, with warm 3 000 K added to the existing 4 000 K and 6 500 K. Last but not least, the quality of light has also noticeably improved. The flicker rate is now below 10 % and colour consistency at 4 SDCM.







DAMP PROOF FAMILY FEATURES

- Robust and well protected (IK08 and IP65)
- Quick and easy installation thanks to stainless steel mounting clips and tool-free wiring
- No electrostatic discharge risk since the LED module is integrated in the cover
- Suspension and anti-theft kits included
- Flexible thanks to versatile mounting accessories
- 5-year guarantee (3 years for emergency version)

NOW IN VERSATILE VERSIONS

- Standard on/off
- DALI 2.0
- Through-wiring
- Emergency luminaire (with automatic testing) incl. 3-hour LiFePO4 battery
- Coming soon: with sensor

OLD VS NEW – IMPROVEMENTS AT A GLANCE

OLD – DP GEN. 1	NEW – DP GEN. 2	NEW BENEFITS
115 lm/W	Increased efficacy of up to 135 lm/W	 Increased energy savings
Up to 6 400 lm	Up to 8 000 lm + 11 000 lm	 Higher luminous flux versions for ceiling heights between 8–9 metres
4 000 K/6 500 K	3 000 K/4 000 K/6 500 K	 New light colour 3000 K
50 000 h @ L70	50 000 h L80 @ 25 °C/ 70 000 h L70	 Improved lifetime = Lower maintenance costs
Flicker < 20 %	Flicker < 10 %	 Better quality of light
5 SDCM	4 SDCM	 Improved colour consistency



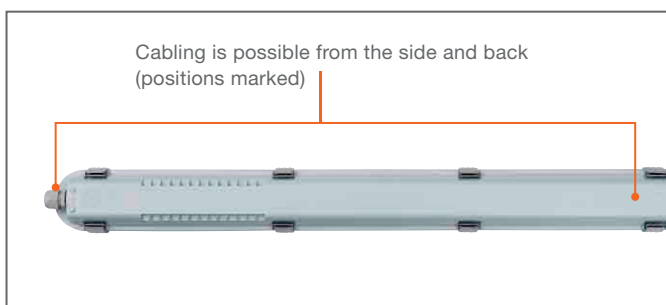
EASY AND FLEXIBLE INSTALLATION

LEDVANCE DAMP PROOFs are very easy and quick to install. They offer such a large adjustment range for the mounting clips that existing mounting holes can often be reused.

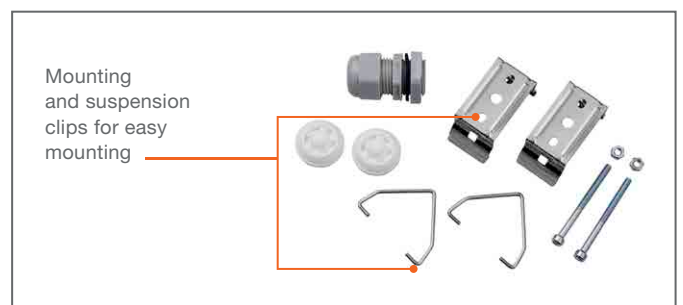
The versatile mounting and suspension accessories included make mounting particularly flexible. And tool-free power connection and the quick-open stainless steel fasteners save you time and hassle.

Check out our Damp Proof product video and see for yourself!

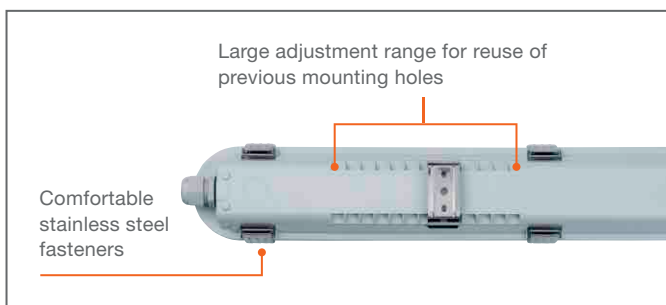
PUTTING DAMP PROOF GEN 2 INTO OPERATION COULDN'T BE EASIER



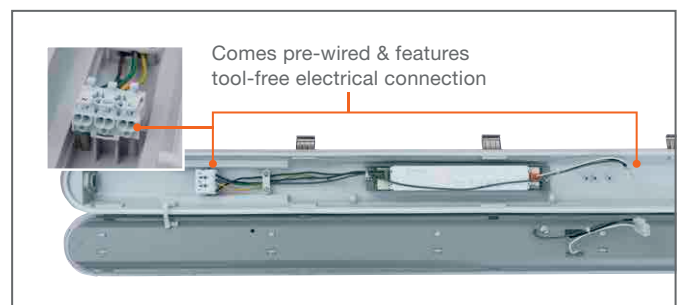
Flexible electrical installation through different positions for cabling



Extensive mounting accessories (included) for flexible application use



Ideal for quick and easy refurbishment projects



Time-saving installation and wiring thanks to tool-free electrical connection

DAMP PROOF

Damp-proof luminaires



DAMP PROOF ON/OFF + DALI

Damp-proof luminaires, classic shape



Product name	Segmentation	Static Codes	GTIN (EAN)	RE-PLACEMENT FOR	W	lm	lm/W	K	L70 ²	L80 ²	°	
DP 1200 18W 840 IP65 GY	■	DP1440	4058075541047	1 × 36W FL	18	2400	135	4000	70000	50000	110	—
DP 1200 18W 865 IP65 GY	■	DP1465	4058075541061	1 × 36W FL	18	2400	135	6500	70000	50000	110	—
DP 1200 32W 830 IP65 GY	■	DP2430	4058075541085	2 × 36W FL	32	4000	125	3000	70000	50000	110	—
DP 1200 32W 840 IP65 GY	■	DP2440	4058075541108	2 × 36W FL	32	4400	135	4000	70000	50000	110	—
DP 1200 32W 865 IP65 GY	■	DP2465	4058075541122	2 × 36W FL	32	4400	135	6500	70000	50000	110	—
DP 1500 26W 840 IP65 GY	■	DP1540	4058075541146	1 × 58W FL	26	3500	135	4000	70000	50000	110	—
DP 1500 26W 865 IP65 GY	■	DP1565	4058075541160	1 × 58W FL	26	3500	115	6500	70000	50000	110	—
DP 1500 46W 830 IP65 GY	■	DP2530	4058075541184	2 × 58W FL	46	5750	125	3000	70000	50000	110	—
DP 1500 46W 840 IP65 GY	■	DP2540	4058075541207	2 × 58W FL	46	6400	135	4000	70000	50000	110	—
DP 1500 46W 865 IP65 GY	■	DP2565	4058075541221	2 × 58W FL	46	6400	135	6500	70000	50000	110	—
DP 1500 58W 840 IP65 GY	■	DP15H40	4058075541245	2 × 70W FL	58	8000	135	4000	70000	50000	110	—
DP 1500 58W 865 IP65 GY	■	DP15H65	4058075541269	2 × 70W FL	58	8000	135	6500	70000	50000	110	—
DP 1500 81W 840 IP65 GY	■	DP25H40	4058075541283	2 × 80W FL	81	11000	135	4000	70000	50000	110	—
DP 1500 81W 865 IP65 GY	■	DP25H65	4058075541306	2 × 80W FL	81	11000	135	6500	70000	50000	110	—
DP DALI 1200 18W 840 IP65 GY	■	DP1440DA	4058075541641	1 × 36W FL	18	2400	135	4000	70000	50000	110	DALI
DP DALI 1200 18W 865 IP65 GY	■	DP1465DA	4058075541665	1 × 36W FL	18	2400	135	6500	70000	50000	110	DALI
DP DALI 1200 32W 830 IP65 GY	■	DP2430DA	4058075541689	2 × 36W FL	32	4000	125	3000	70000	50000	110	DALI
DP DALI 1200 32W 840 IP65 GY	■	DP2440DA	4058075541702	2 × 36W FL	32	4400	135	4000	70000	50000	110	DALI
DP DALI 1200 32W 865 IP65 GY	■	DP2465DA	4058075541726	1 × 36W FL	32	4000	125	6500	70000	50000	110	DALI
DP DALI 1500 26W 840 IP65 GY	■	DP1540DA	4058075541740	1 × 58W FL	26	3500	135	4000	70000	50000	110	DALI
DP DALI 1500 26W 865 IP65 GY	■	DP1565DA	4058075541764	1 × 58W FL	26	3500	135	6500	70000	50000	110	DALI
DP DALI 1500 46W 830 IP65 GY	■	DP2530DA	4058075541788	2 × 58W FL	46	5750	125	3000	70000	50000	110	DALI
DP DALI 1500 46W 840 IP65 GY	■	DP2540DA	4058075541801	2 × 58W FL	46	6400	135	4000	70000	50000	110	DALI
DP DALI 1500 46W 865 IP65 GY	■	DP2565DA	4058075541825	2 × 58W FL	46	6400	135	6500	70000	50000	110	DALI
DP DALI 1500 58W 840 IP65 GY	■	DP15H40DA	4058075541849	2 × 70W FL	58	8000	135	4000	70000	50000	110	DALI
DP DALI 1500 58W 865 IP65 GY	■	DP15H65DA	4058075541863	2 × 70W FL	58	8000	135	6500	70000	50000	110	DALI



Product name	CRI	FLICKER VALUE	g	L × W × H [mm] Ø × H [mm]
DP 120 0 18W 840 IP65 GY	>80	<10%	1293	1200 × 82 × 68
DP 1200 18W 865 IP65 GY	>80	<10%	1293	1200 × 82 × 68
DP 1200 32W 830 IP65 GY	>80	<10%	1373	1200 × 82 × 68
DP 1200 32W 840 IP65 GY	>80	<10%	1373	1200 × 82 × 68
DP 1200 32W 865 IP65 GY	>80	<10%	1373	1200 × 82 × 68
DP 1500 26W 840 IP65 GY	>80	<10%	1578	1500 × 82 × 68
DP 1500 26W 865 IP65 GY	>80	<10%	1578	1500 × 82 × 68
DP 1500 46W 830 IP65 GY	>80	<10%	1690	1500 × 82 × 68
DP 1500 46W 840 IP65 GY	>80	<10%	1690	1500 × 82 × 68
DP 1500 46W 865 IP65 GY	>80	<10%	1690	1500 × 82 × 68
DP 1500 58W 840 IP65 GY	>80	<10%	1694	1500 × 82 × 68
DP 1500 58W 865 IP65 GY	>80	<10%	1694	1500 × 82 × 68
DP 1500 81W 840 IP65 GY	>80	<10%	1672	1500 × 82 × 68
DP 1500 81W 865 IP65 GY	>80	<10%	1672	1500 × 82 × 68
DP DALI 1200 18W 840 IP65 GY	>80	<3%	1430	1200 × 82 × 68
DP DALI 1200 18W 865 IP65 GY	>80	<3%	1430	1200 × 82 × 68
DP DALI 1200 32W 830 IP65 GY	>80	<3%	1430	1200 × 82 × 68
DP DALI 1200 32W 840 IP65 GY	>80	<3%	1430	1200 × 82 × 68
DP DALI 1200 32W 865 IP65 GY	>80	<3%	1430	1500 × 82 × 68
DP DALI 1500 26W 840 IP65 GY	>80	<3%	1740	1500 × 82 × 68
DP DALI 1500 26W 865 IP65 GY	>80	<3%	1740	1500 × 82 × 68
DP DALI 1500 46W 830 IP65 GY	>80	<3%	1740	1500 × 82 × 68
DP DALI 1500 46W 840 IP65 GY	>80	<3%	1740	1500 × 82 × 68
DP DALI 1500 46W 865 IP65 GY	>80	<3%	1740	1500 × 82 × 68
DP DALI 1500 58W 840 IP65 GY	>80	<3%	1740	1500 × 82 × 68
DP DALI 1500 58W 865 IP65 GY	>80	<3%	1740	1500 × 82 × 68

¹ Refer to www.ledvance.com/guarantee for precise conditions.
² t[h]: L70/B50 @ 25 °C (Ta) / t[h]: L80/B10 @ 25 °C (Ta)

DAMP PROOF

Damp-proof luminaires



DAMP PROOF 5x THROUGHWIRING

Damp-proof luminaires, classic shape with 5 × 2.5 mm² throughwiring



Product name	Segmentation	Static Codes	GTIN (EAN)	RE-PLACEMENT FOR	W	lm	lm/W	K	L70 ²	L80 ²	⏏
DP 5TH 1200 32W 840 IP65 GY	■	DPTW2440	4058075541924	2 × 36W FL	32	4400	135	4000	70000	50000	110
DP 5TH 1500 46W 840 IP65 GY	■	DPTW2540	4058075541948	2 × 58W FL	46	6400	135	4000	70000	50000	110



Product name	CRI	FLICKER VALUE	⏏	L × W × H [mm] Ø × H [mm]
DP 1200 18W 840 IP65 GY	>80	<10%	1613	1200 × 82 × 68
DP 1200 18W 865 IP65 GY	>80	<10%	1930	1500 × 82 × 68

DAMP PROOF EMERGENCY

Damp-proof luminaires, classic shape with integrated emergency lighting function



Product name	Segmentation	Static Codes	GTIN (EAN)	RE-PLACEMENT FOR	W	lm	lm/W	K	L70 ²	L80 ²	⏏
DP EM 1200 18W 840 IP65 GY	■	DP1440EM	4058075541320	1 × 36W FL	18	2400	135	4000	70000	50000	110
DP EM 1200 18W 865 IP65 GY	■	DP1465EM	4058075541344	1 × 36W FL	18	2400	135	6500	70000	50000	110
DP EM 1200 32W 830 IP65 GY	■	DP2430EM	4058075541368	2 × 36W FL	32	4000	125	3000	70000	50000	110
DP EM 1200 32W 840 IP65 GY	■	DP2440EM	4058075541382	2 × 36W FL	32	4400	135	4000	70000	50000	110
DP EM 1200 32W 865 IP65 GY	■	DP2465EM	4058075541405	2 × 36W FL	32	4400	125	6500	70000	50000	110
DP EM 1500 26W 840 IP65 GY	■	DP1540EM	4058075541429	1 × 58W FL	26	3500	150	4000	70000	50000	110
DP EM 1500 26W 865 IP65 GY	■	DP1565EM	4058075541443	1 × 58W FL	26	3500	135	6500	70000	50000	110
DP EM 1500 46W 830 IP65 GY	■	DP2530EM	4058075541467	2 × 58W FL	46	5750	125	3000	70000	50000	110
DP EM 1500 46W 840 IP65 GY	■	DP2540EM	4058075541481	2 × 58W FL	46	6400	135	4000	70000	50000	110
DP EM 1500 46W 865 IP65 GY	■	DP2565EM	4058075541504	2 × 58W FL	46	6400	135	6500	70000	50000	110
DP EM 1500 58W 840 IP65 GY	■	DP15H40EM	4058075541528	2 × 70W FL	58	8000	135	4000	70000	50000	110
DP EM 1500 58W 865 IP65 GY	■	DP15H65EM	4058075541542	2 × 70W FL	58	8000	135	6500	70000	50000	110
DP EM 1500 81W 840 IP65 GY	■	DP25H40EM	4058075541566	2 × 80W FL	81	11000	135	4000	70000	50000	110
DP EM 1500 81W 865 IP65 GY	■	DP25H65EM	4058075541580	2 × 80W FL	81	11000	135	6500	70000	50000	110

Damp Proof Emergency 1200 & 1500 has LiFeP04 3hr battery, 500lm in emergency operation mode



Product name	CRI	FLICKER VALUE	⏏	L × W × H [mm] Ø × H [mm]
DP EM 1200 18W 840 IP65 GY	>80	<10%	1600	1200 × 82 × 68
DP EM 1200 18W 865 IP65 GY	>80	<10%	1600	1200 × 82 × 68
DP EM 1200 32W 830 IP65 GY	>80	<10%	1600	1200 × 82 × 68
DP EM 1200 32W 840 IP65 GY	>80	<10%	1600	1200 × 82 × 68
DP EM 1200 32W 865 IP65 GY	>80	<10%	1600	1200 × 82 × 68
DP EM 1500 26W 840 IP65 GY	>80	<10%	2100	1500 × 82 × 68
DP EM 1500 26W 865 IP65 GY	>80	<10%	2100	1500 × 82 × 68
DP EM 1500 46W 830 IP65 GY	>80	<10%	2100	1500 × 82 × 68
DP EM 1500 46W 840 IP65 GY	>80	<10%	2100	1500 × 82 × 68
DP EM 1500 46W 865 IP65 GY	>80	<10%	2100	1500 × 82 × 68
DP EM 1500 58W 840 IP65 GY	>80	<10%	2100	1500 × 82 × 68
DP EM 1500 58W 865 IP65 GY	>80	<10%	2100	1500 × 82 × 68
DP EM 1500 81W 840 IP65 GY	>80	<10%	2100	1500 × 82 × 68
DP EM 1500 81W 865 IP65 GY	>80	<10%	2100	1500 × 82 × 68

¹ Refer to www.ledvance.com/guarantee for precise conditions.
² t[h]: L70/B50 @ 25 °C (Ta) / t[h]: L80/B10 @ 25 °C (Ta)

ABOUT LEDVANCE

With offices in more than 50 countries and business activities in more than 140 countries, LEDVANCE is one of the world's leading general lighting providers for professional users and end consumers. Having emerged from the general lighting business of OSRAM GmbH, LEDVANCE offers a wide ranging assortment of LED luminaires for a broad spectrum of application areas, intelligent lighting products for Smart Homes and Buildings. The company offers one of the largest LED lamps portfolios in the industry, traditional light sources, LED Strip system and light management systems.



LEDVANCE

Telephone: +44 (0) 1925 46 50 00
Email: csc.uk@ledvance.co.uk

LEDVANCE Ltd
Aquila House
Delta Crescent, Westbrook
Warrington, WA5 7NR
United Kingdom

LEDVANCE Ireland
70 Sir John Rogerson's Quay
Dublin 2
Ireland

LEDVANCE.CO.UK
LEDVANCE.IE