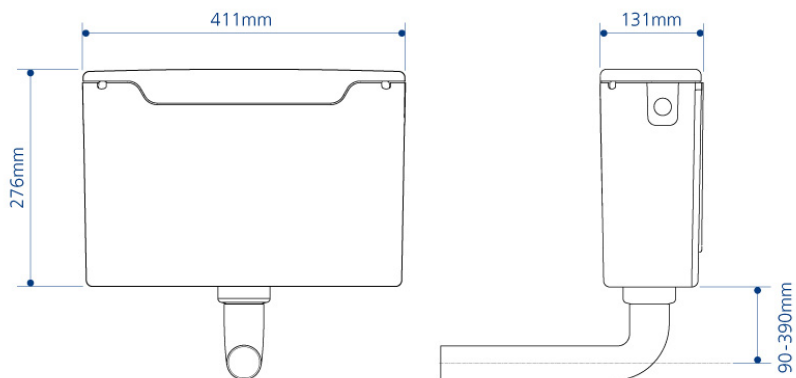


Shown: Concealed cistern
BTWRIMCI



Overview:

Pneumatic cistern ideal for use behind tiles and partitioning and in most other concealed applications. Factory assembled for quick and easy installation.

Key product features:

- Dual flush 6/4 litres factory pre-set, adjustable to 4/2.6 litres
- Chrome effect dual flush push button
- Compact design that fits into 150mm ducts
- Delayed fill inlet valve
- WRAS approved

Product:	Compact pneumatic concealed cistern
Code:	BTWRIMCI
Weight in kg:	2.5
Colour:	White
Material:	Mixed plastics
Standard:	n/a
DOP:	n/a
BiM download:	x
CAD download:	x
Flushing volume:	6/4ltr standard / Adjustable down to 4/2.6ltr
Flushing mechanism:	Dual flush push button
Operation:	Pneumatic
Delay fill inlet valve:	✓
Access:	Top
Inlet location:	Side - RHS or LHS

Special notes

Can also be used with an optional oyster flush plate (FRPLATEOYST) sold separately. An additional range of anti-vandal and palm push buttons and plates are also available upon request.



Although every effort is made not to change the above product specification, Lecico reserve the right to do so without prior notification if necessary.