

LED Wall Washer Downlight – 24W

LED Wall Washer Module with Driver



Product Overview

The Kosnic LED Wall Washer Downlight rotates through 340 degrees and has a 45 degree tilt. With a high CRI the downlight has many applications in retail display, showrooms, entertainment and hospitality. The downlight is available in 15 degree and 38 degree beam angle options along with different colour temperatures of 3000K to replicate halogen lighting and cooler 5000K. Manufactured from cast aluminium with a high quality reflector the Kosnic Wall Washer Downlight delivers where a highly efficient, high quality lighting solution is required.

Features

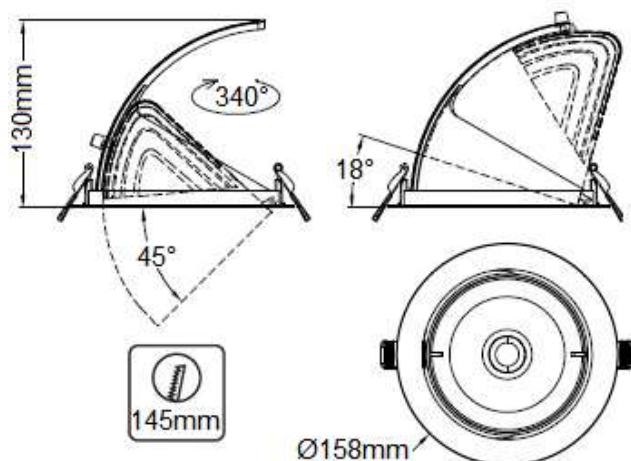
- Simple and elegant appearance.
- Uniform soft light for perfect presentation without dark areas.
- Easy to install.
- Supplied with separate Class II IP20 independent driver.
- Compatible with Kosnic's KTC27EME-DWL emergency module.
- High CRI.
- High lumen output.
- Long life of 40,000h.
- Instant start.
- Negligible UV output.
- Mercury free.

Specifications

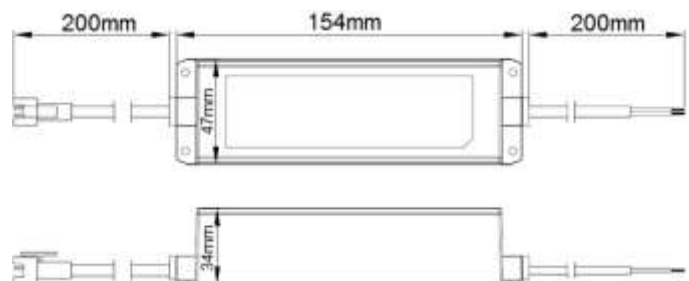
Product Code	KWWDL24-B30	KWWDL24-B50	KWWDL24-S30	KWWDL24-S50
Nominal Power (W)	24	24	24	24
Voltage	220-240Vac 50-60Hz	220-240Vac 50-60Hz	220-240Vac 50-60Hz	220-240Vac 50-60Hz
Current (mA)	110	110	110	110
Driver	CYC026SNL058N	CYC026SNL058N	CYC026SNL058N	CYC026SNL058N
Protection	Class III Luminaire Class II IP20 Driver	Class III Luminaire Class II IP20 Driver	Class III Luminaire Class II IP20 Driver	Class III Luminaire Class II IP20 Driver
Connection	Driver wiring leads	Driver wiring leads	Driver wiring leads	Driver wiring leads
Luminous Flux (lm)	2000	2100	2000	2000
CCT	3000K Warm White	5000K Day Light	3000K Warm White	5000K Day Light
Nominal Lifetime (h)	40000	40000	40000	40000
Beam Angle (°)	15	15	38	38
Dimmable	No	No	No	No
Switching Cycles	50000	50000	50000	50000
Warm-up time to 60% Φ (S)	Instant full light	Instant full light	Instant full light	Instant full light
Suitable for accent lighting	Yes	Yes	Yes	Yes
Diameter (mm)	158	158	158	158
Depth (mm)	130	130	130	130
Cut out (mm)	145	145	145	145
Mercury (mg)	0	0	0	0
Rated Power (W)	24.0	24.0	24.0	24.0
Rated Luminous Flux (lm)	2000	2100	2000	2000
Rated Lifetime (h)	40000	40000	40000	40000
Power Factor	0.95	0.95	0.95	0.95
Rated Peak Candelas (cd)	10690	10900	3260	3950
LMF at Nominal Lifetime	0.75	0.75	0.75	0.75
SDCM of CCT	<6	<6	<6	<6
CRI	82	82	82	82
Start Time (s)	0.10	0.10	0.10	0.10
Ambient Temperature (°C)	-20 to 50	-20 to 40	-20 to 50	-20 to 50
Emergency Module	KTC27EME-DWL	KTC27EME-DWL	KTC27EME-DWL	KTC27EME-DWL
Emergency Flux (lm)	220	220	220	220

Ratings include the LED driver and the LED module.

Module Dimensions



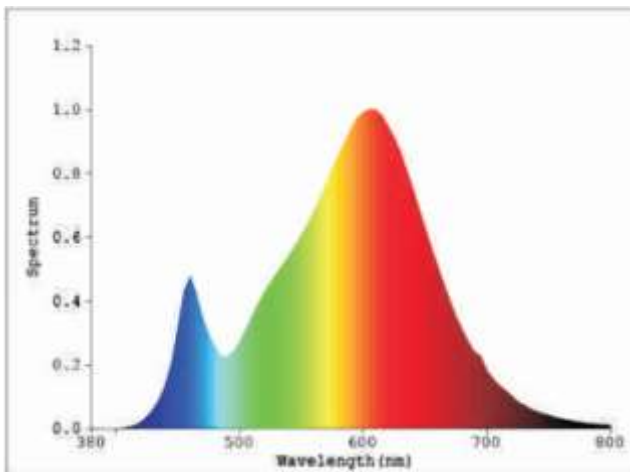
Driver Dimensions



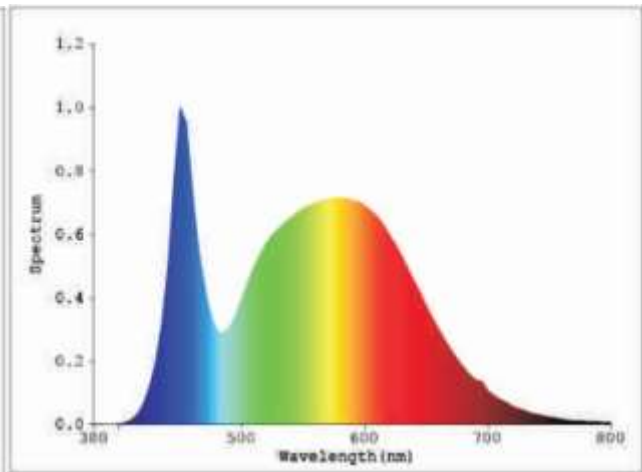
Specifications – Constant Current LED Driver (included)

Driver Code	CYC026SNL058N
Input Voltage	180-264Vac 50-60Hz
Maximum Input Current (mA)	135
Maximum Power (W)	26
Output Voltage (V)	26~46Vdc
Output Current (mA)	580
Protection	Class II / IP20
Length (mm)	154
Width (mm)	47
Depth (mm)	34
Power Factor	0.96
Ripple Current (%)	<10
Inrush Current (A)	1 at 400µs
Maximum Case Temperature (°C)	75
Ambient Temperature (°C)	-20 to 40

Photometric Information



3000K



5000K

Energy Label

