

LED Panel

36W LED Panel with Emergency Option



Product Overview

The Kosnic LED ceiling and wall panel is an easy-to-retrofit replacement for standard ceiling tile fittings. In the workplace or educational setting, users require uniform light to maintain well-being. The Kosnic LED panel offers Edge-Lit technology to achieve constant light across the surface of the luminaire.

Features

- Save up to 50% energy usage compared to traditional fluorescent fittings.
- UGR <19 according to BS EN 12464.
- Compatible with Kosnic's KTC70EME-PNL emergency module.
- Optional surface and suspension mounting kits available.
- Class II
- IP44 when ceiling recess mounted.
- High lumen output.
- Long life of 40,000h.
- Flicker free DC driver as standard.
- Slim profile design.
- Dimmable DALI driver available.
- Instant start.
- Negligible UV output.
- Mercury free.

Emergency Module Compatible

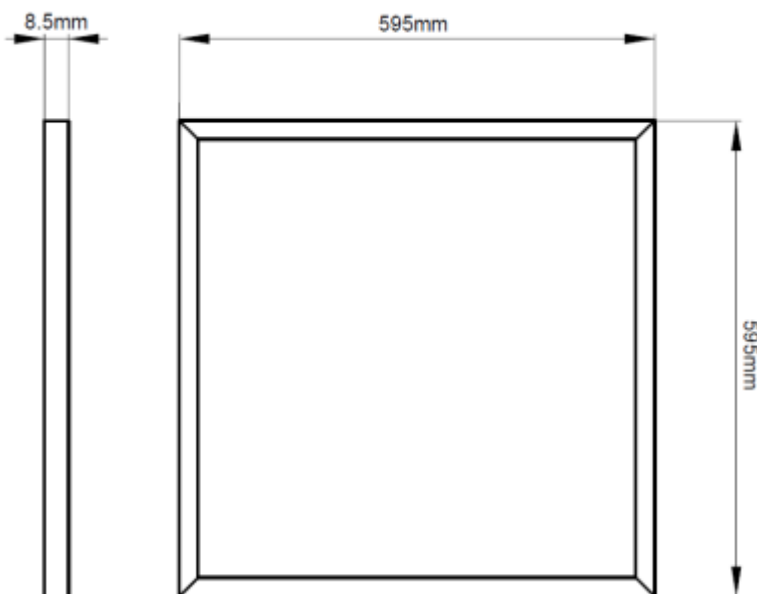
The LED panel is compatible with the Kosnic emergency module, which provides power in the event of a cut in the supply and must be wired to the un-switched supply through the un-switched Live terminal. The battery will supply the panel for over 3 hours at a reduced output.

Specifications

Product Code	KLED36PNL-W40	KLED36PNL-W65
Power (W)	36	36
Voltage	220-240Vac 50-60Hz	220-240Vac 50-60Hz
Current (mA)	160	160
Protection	Class II driver Class III panel IP20 rear/ IP44 front*	Class II driver Class III panel IP20 rear/ IP44 front*
Power Factor	0.98	0.98
Luminous Flux (lm)	3700	3800
CCT (K)	4000K Cool White	6500K Day Light
CRI	82	83
Beam Angle (°)	120	120
Lifetime (h)	40000	40000
Dimmable	No	No
Switching Cycles	50000	50000
Start Time (s)	0.30	0.30
Warm-up time to 60% (s)	Instant full light	Instant full light
Length (mm)	595	595
Width (mm)	595	595
Depth (mm)	8.5	8.5
Mercury (mg)	0	0
Retrofit	Yes	Yes
Rated Peak Candelas (cd)	1300	1350
Lumen Maintenance Factor at Lifetime	0.75	0.75
Ambient Temperature (°C)	-20 to 40	-20 to 40
Compatible Emergency Module	KTC70EME-PNL	KTC70EME-PNL
Emergency Luminous Flux (lm)	290	290

* IP44 rating refers to the panel front when recess mounted in a ceiling.

Panel Dimensions



Specifications – Constant Current LED Driver

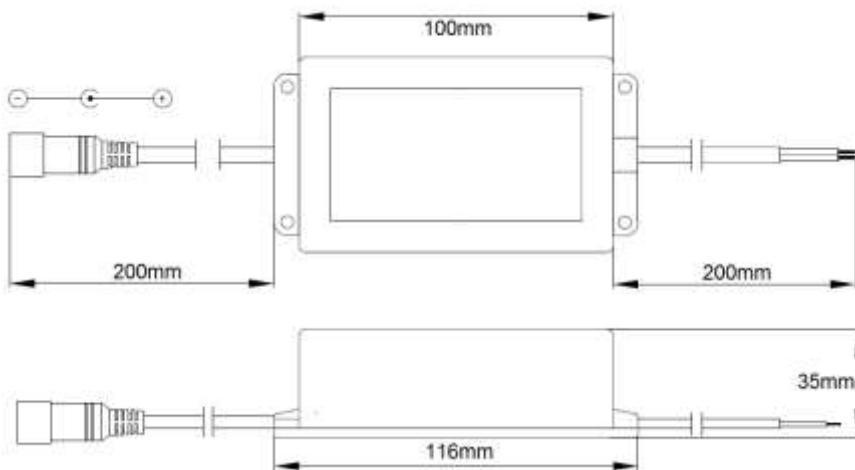
Product Code	KLED36PNL-W40	KLED36PNL-W65
Driver	CYC050TNL135	CYC050SNL135N
Input Voltage	180-264Vac 50-60Hz	180-264Vac 50-60Hz
Maximum Input Current (mA)	253	260
Maximum Power (W)	50	50
Output Voltage (V)	22-36Vdc	22-36Vdc
Output Current (mA)	1350	1350
Protection	Class II / IP20	Class II / IP20
Length (mm)	116	116
Width (mm)	62	62
Depth (mm)	35	35
Power Factor	0.98	0.95
Ripple Current (%)	<10	<10
Inrush Current (A)	13.8 at 720µs	1.7 at 360µs
Maximum Case Temperature (°C)	75	75
Ambient Temperature (°C)	-20 to 40	-20 to 40

Installation Guidance

LED drivers may have a significant momentary inrush current which can cause nuisance MCB tripping if large numbers are simultaneously switched. The following information is offered as a guide to how many drivers can be switched at the same time on various rated MCBs. Testing was conducted using Wylex MCBs.

CYC050TNL135		Inrush current peak of 13.8A at 0.7ms			
MCB	Max. No. Drivers	MCB	Max. No. Drivers	MCB	Max. No. Drivers
6A Type B	6	10A Type B	8	16A Type B	16
6A Type C	12	10A Type C	20	16A Type C	32

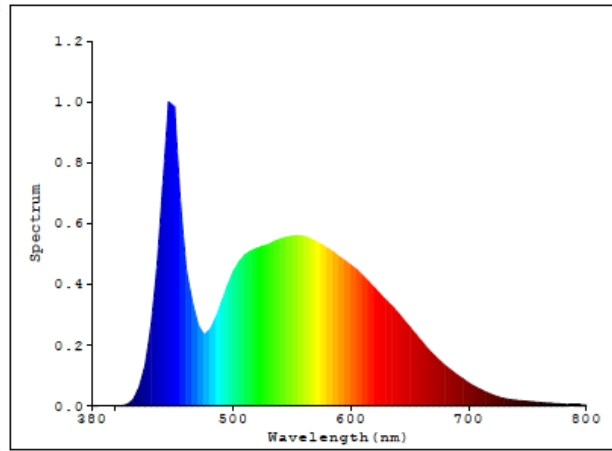
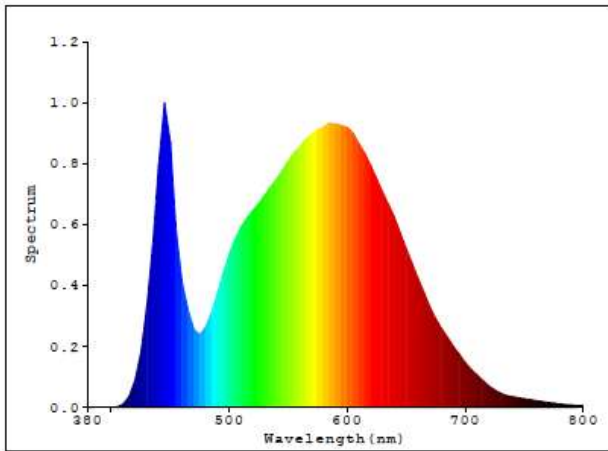
Driver Dimensions



Photometric Information

4000K

6500K



Energy Label

