

M591

Waterfall and Chain



The Waterfall with its three sections is a complete water transport system, with plenty of space for children to play together or on their own. Each section offers new and exciting features: a water transport channel with a swivel handle, a rotating table with a sand sieve, and a funnel through which the water can splash down into a shallow basin.

Product Line	Traditional Play
Category	Sand & water play
Age group	2 - 6
Total height (CM)	159
Safety Zone	29.3 m ²



SOCIALIZE



CONSTRUCT



INCLUSIVE

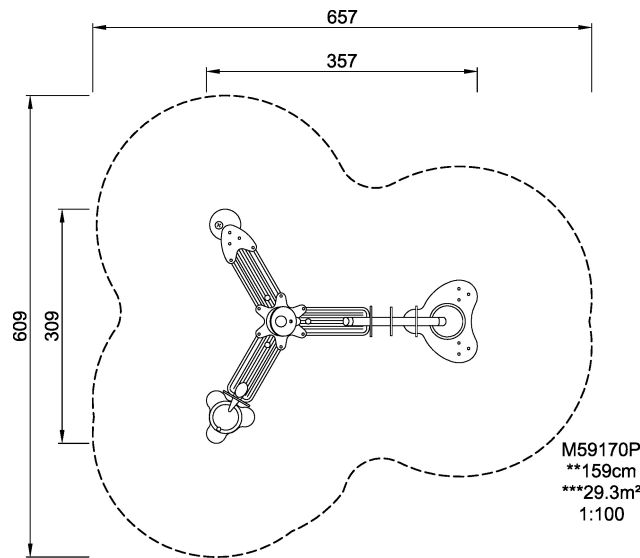


**SUR-
FACE**



ADA / INCLUSIVE

ASTM



* = Highest designated play surface.
** = Total height of product.

Weight/heaviest parts	kg.	Installation (Manpower)	Persons
Concrete required	NaN m3	Installation (Hours)	Hours
Foundation amount/footing	NaN	Excavation	NaN m3