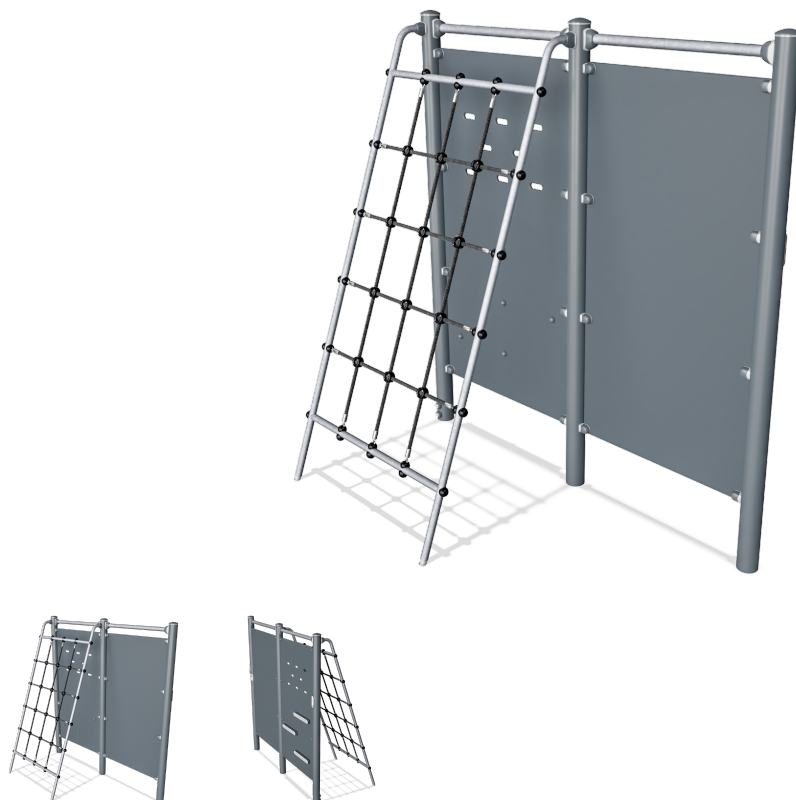


FSW21600 Wall with Net



The wall consists of two segments. The left side is a flat wall of almost 2.40m height which can be conquered by the fittest. The right side has three steps to assist the feet and eight handles to help you get over the wall. But even with some assistance it will still require a healthy portion of faith to go over the wall. The net on the back ensures a safe descent.

Product Line	Sport & Fitness
Category	Obstacle Courses
Age group	13+
Max. fall height (CM)	234
Total height (CM)	240
Safety Zone	21 m ²

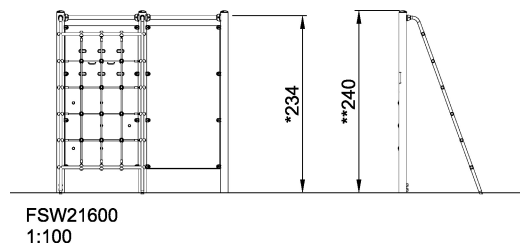
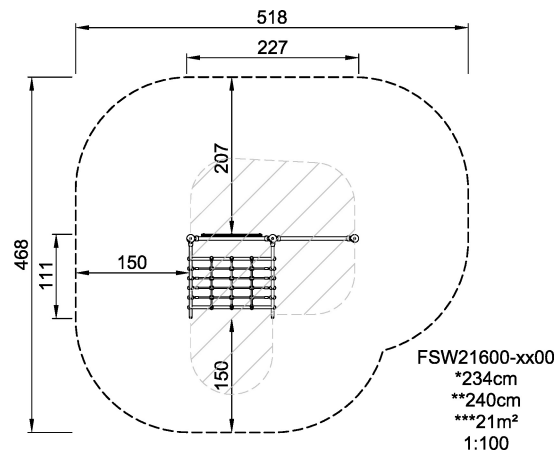


**SUR-
FACE**

**IN-
GROU.**



ASTM



* = Highest designated play surface.
** = Total height of product.

Weight/heaviest parts	kg.	Installation (Manpower)	1 Persons
Concrete required	NaN m ³	Installation (Hours)	4 Hours
Foundation amount/footing	NaN	Excavation	NaN m ³