

# M534 Truck



This impressive truck from KOMPAN most certainly deserves to be called king of the road, while whizzing along the highways and byways of the imagination. The cab is equipped with a steering wheel, gear stick and even a sleeping-berth for weary drivers. There is an extra steering wheel, a chimney, table and plenty of space on the body of this tough working vehicle for passengers and goods alike. And if the engine is giving problems, the mechanic can always jump down onto the running-board to make the necessary repairs.

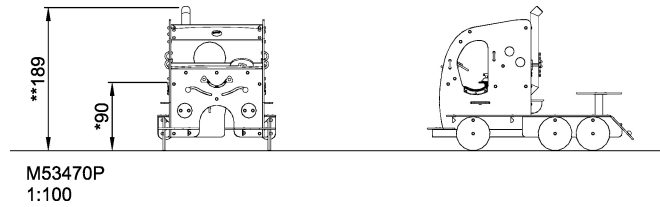
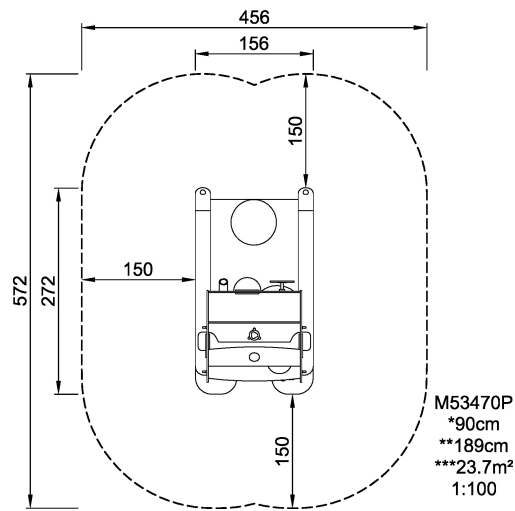
<b>Product Line</b>	Themed Play
<b>Category</b>	Vehicles & ships
<b>Age group</b>	2 - 6
<b>Max. fall height (CM)90</b>	
<b>Total height (CM)</b>	189
<b>Safety Zone</b>	23.7 m2



SUR-  
FACE



ASTM



\* = Highest designated play surface.  
\*\* = Total height of product.

<b>Weight/heaviest parts</b>	kg.	<b>Installation (Manpower)</b>	Persons
<b>Concrete required</b>	NaN m <sup>3</sup>	<b>Installation (Hours)</b>	Hours
<b>Foundation amount/footing</b>	NaN	<b>Excavation</b>	NaN m <sup>3</sup>