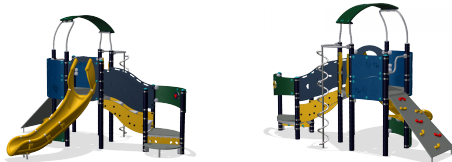


ELE400050

# Tower



Up, around and under - from all sides the Tower is packed with play possibilities. A play switcher on the lower curved panel provides a point for experimentation, as do the rings on the stair handrails. Stairs, a sloping rock climb and a curly climber offer 3 levels of challenge to the top. Once up to the large lookout deck, children can zoom down the curved slide or twist down the curly climber. Underneath the deck there is a play counter for hours of role-play.

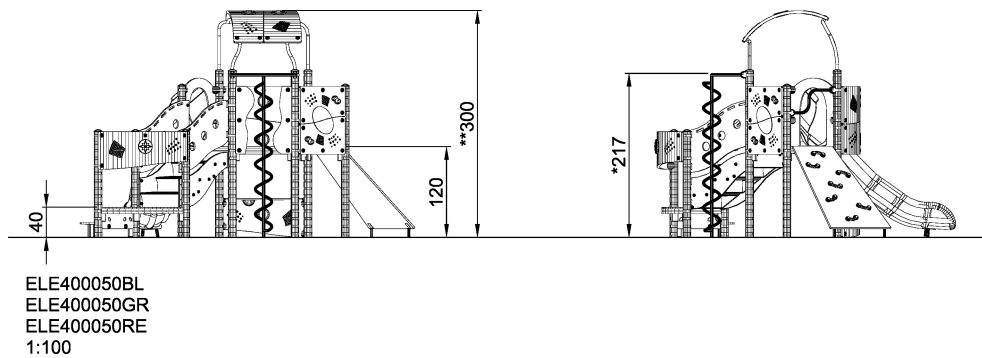
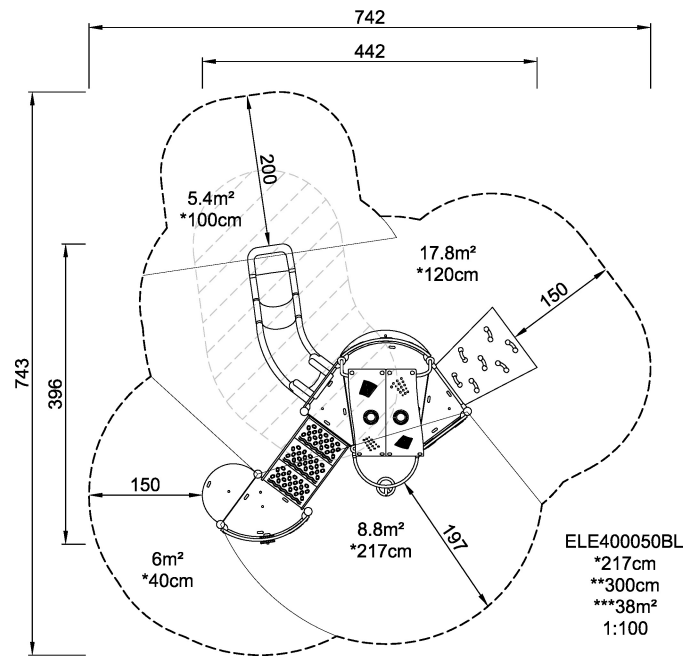
<b>Product Line</b>	Multi play structures
<b>Category</b>	ELEMENTS™
<b>Age group</b>	2 - 6
<b>Max. fall height (CM)</b>	217
<b>Total height (CM)</b>	300
<b>Safety Zone</b>	38 m2



**SUR-  
FACE**



**ASTM**



\* = Highest designated play surface.  
\*\* = Total height of product.

<b>Weight/heaviest parts</b>	kg.	<b>Installation (Manpower)</b>	Persons
<b>Concrete required</b>	NaN m3	<b>Installation (Hours)</b>	Hours
<b>Foundation amount/footing</b>	NaN	<b>Excavation</b>	NaN m3