

NRO1005

Tower with fireman's pole



The product is available as FSC® Certified (FSC® C004450) robinia wood on request.

Product Line	Organic Robinia
Category	Multi play structures
Age group	3 - 10
Max. fall height (CM)	150
Total height (CM)	359
Safety Zone	18.7 m ²



SOCIALIZE



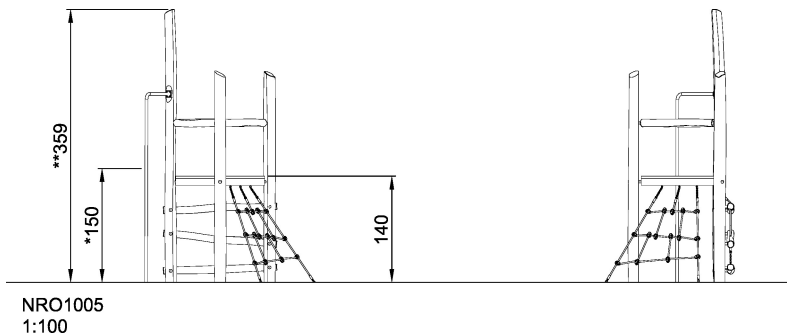
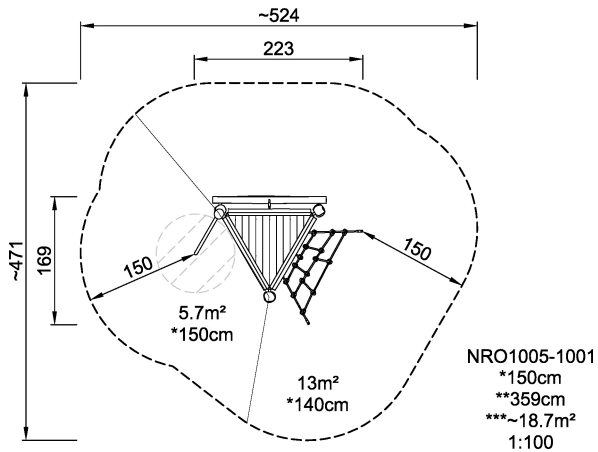
CLIMB



SLIDE



IN-
GROU.



* = Highest designated play surface.
** = Total height of product.

Weight/heaviest parts	kg.	Installation (Manpower)	Persons
Concrete required	NaN m ³	Installation (Hours)	Hours
Foundation amount/footing	NaN	Excavation	NaN m ³