

The colourful Tower with roof and a tree house on one side and a charming castle theme on the other side children will find a lot of inspiration for different role play. The slide offers high play value and challenges for the child. On the slanting climbing wall the way up is found with the help of climbing grips, alternatively the rope steps are a fun and challenging trip up.

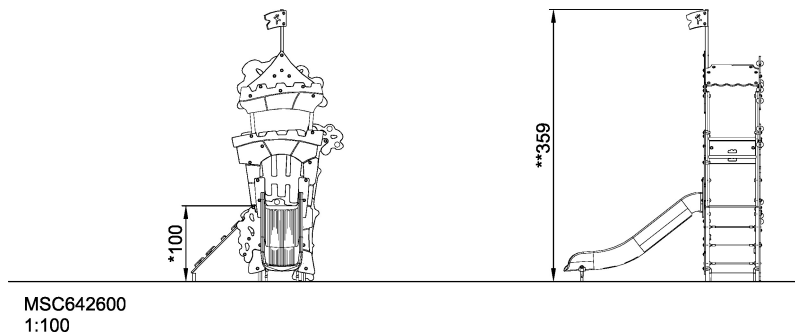
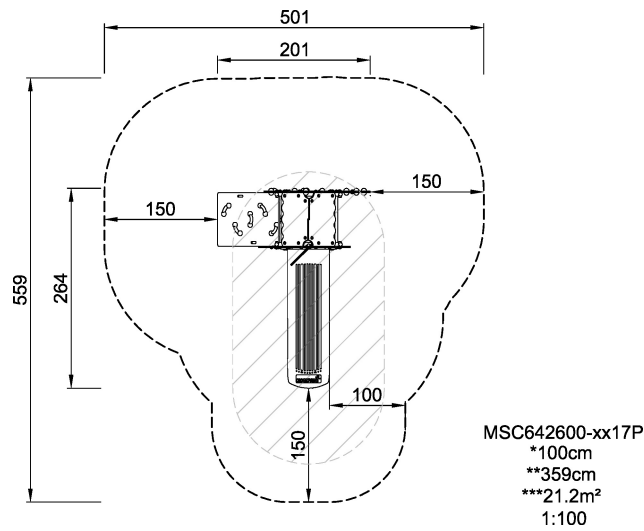
Product Line	Themed Play
Category	THE SMART PLAYGROUND™ (Digital)
Age group	2 - 6
Max. fall height (CM)	100
Total height (CM)	359
Safety Zone	21.2 m2



SURFACE



ASTM



* = Highest designated play surface.
 ** = Total height of product.

Weight/heaviest parts	kg.	Installation (Manpower)	Persons
Concrete required	NaN m ³	Installation (Hours)	Hours
Foundation amount/footing	NaN	Excavation	NaN m ³