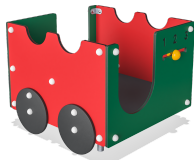
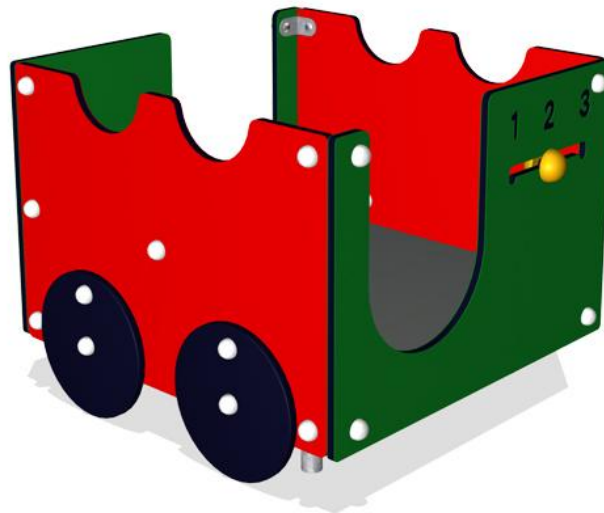


M538

Toddler Train Wagon



The wagon works well with the train and can function as a play space in its own right. There is a nice seat in the corner, supporting longer stays and thus the exchange going on between younger kids. Tickets can be purchased or sold at the entrance, ticketing with the numerals 1,2 or 3. The numerals open up for the use of language and naming numerals, important fundamentals in early childhood curricula.

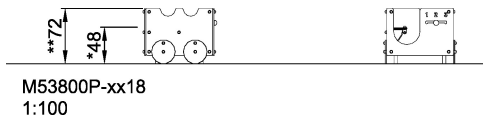
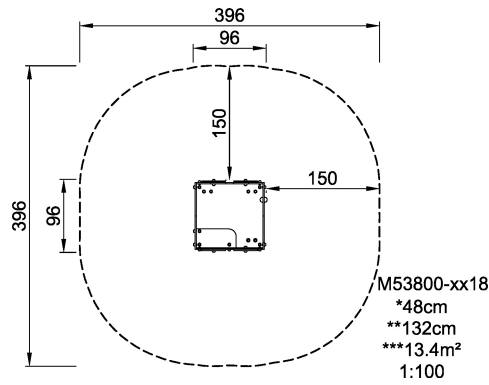
Product Line	Themed Play
Category	Toddler play
Age group	1 - 6
Max. fall height (CM)	48
Total height (CM)	132
Safety Zone	13.4 m2



**SUR-
FACE**



ASTM



* = Highest designated play surface.
** = Total height of product.

Weight/heaviest parts	kg.	Installation (Manpower)	Persons
Concrete required	NaN m ³	Installation (Hours)	Hours
Foundation amount/footing	NaN	Excavation	NaN m ³